



JOB: _____

LOCATION: _____

DATE: _____

CATALOG: DECORATIVE D8 2005/06

PRODUCT SPECIFICATIONS

STYLE # D8-3013

SERIES NAME: DENIS

COLOR / FINISH: Gray Metal

DIFFUSER: Blown Matte White Glass

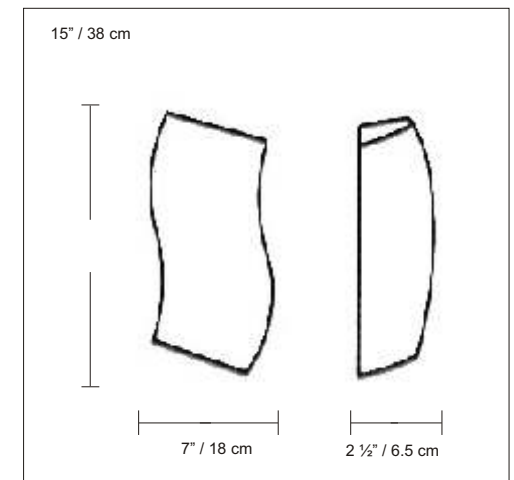
LAMP TYPE: Halogen T10 Medium



MAX WATT: 1 x 150W

DIMENSIONS: W. 7" x Ht. 15" x Ext. 2 1/2"

APPROVALS: Approved by CSA for
North American Standards.



Also available in Compact Fluorescent.

NOTES: _____
