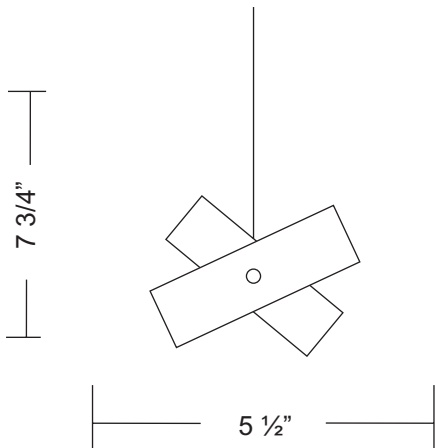


**TOURBILLON PENDANT**



Dimensions



STANDARD: COMES WITH 5 FEET OF WIRE AND AIRCRAFT CABLE

Project Name: \_\_\_\_\_

Fixture Type: \_\_\_\_\_

**Product Code: D8-1147**

**Style:** Pendant

**Diffuser:** White & Orange Blown Glass

**Finish:** Nickel

**Lamp:** 1 x 60W

**Voltage:** Halogen G9

**Dimensions:** Dia. 5 1/2" Ht. 7 3/4"

**Approval:** Approved by  for North American Standards..

**Notes: REQUIRES HOLDER - SOLD SEPARATELY**

\_\_\_\_\_  
\_\_\_\_\_  
\_\_\_\_\_  
\_\_\_\_\_  
\_\_\_\_\_