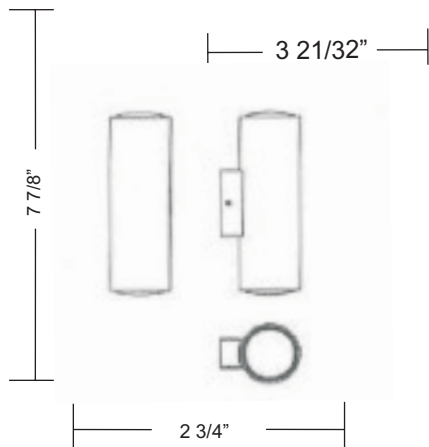


**KRONN WALL SCONCE**

**Dimensions**


STANDARD: COMES WITH 5 FEET OF WIRE AND AIRCRAFT CABLE

**Project Name:** \_\_\_\_\_

**Fixture Type:** \_\_\_\_\_

**Product Code:** D9-3098

**Style:** Wall Sconce

**Finish:** Chrome

**Lamp:** 2 x 75W Halogen GZ10 MR20

**Voltage:** N/A

**Dimensions:** Dia. 2 3/4" x Ht. 7 7/8" x Ext. 3 21/32"

**Approval:** Approved by  for North American Standards..

**Notes:** \_\_\_\_\_

\_\_\_\_\_

\_\_\_\_\_

\_\_\_\_\_

\_\_\_\_\_

\_\_\_\_\_

\_\_\_\_\_

\_\_\_\_\_