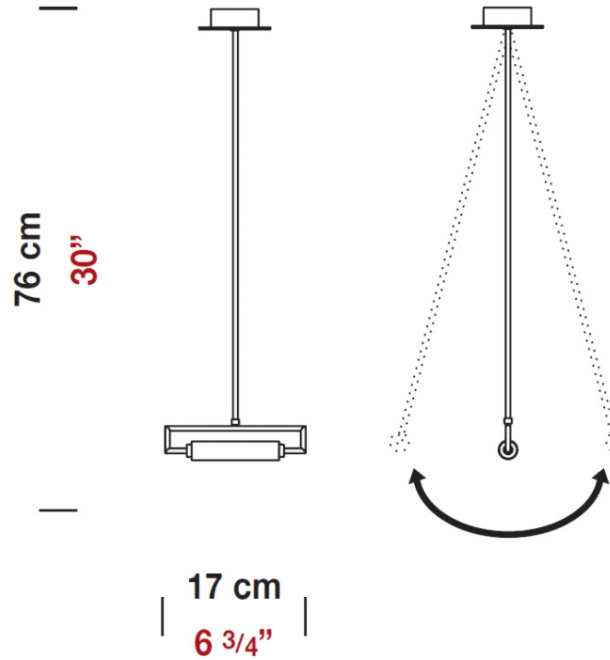


Date: _____

Project: _____

Fixture Type: _____

Specifier/Rep: _____

 Certified by  for North American Standard

APPLICATION:

Ceiling - Suspended

CONSTRUCTION:
Fixture Material:

Not available

Fixture Finish:

White

Available Finish/Size/Lamping Options

Options Available

Component Requirement:

Complete Unit, no component required

ELECTRICAL:
Lamp Category: Halogen

Power Supply:

Not available

Voltage: 120

(277v or 347v available upon request)

Emergency:

Not available

IP RATING:

IP40

OPTICS:
Diffusor Material:

Printed Pyrex

Diffusor Finish:

Matte White Printed

Reflector: Not available

Efficiency:

Not available

NOTES:



Date: _____

Project: _____

Fixture Type: _____

Specifier/Rep: _____

Available Sizing/Lamp/Finish Options

Model No	Fixture - Diffuser	Details
D8-1040	Chrome - Matte White Printed	L: 6 3/4" / 17.1 cm H: 30" / 76.2 cm, One T4, Max. 75W with G9 base, Voltage: 120
D8-1041	Metalic Gray - Matte White Pr	L: 6 3/4" / 17.1 cm H: 30" / 76.2 cm, One T4, Max. 75W with G9 base, Voltage: 120
D8-1364	White - Matte White Printed	L: 6 3/4" / 17.1 cm H: 30" / 76.2 cm, One T4, Max. 75W with G9 base, Voltage: 120