



PROJECT: _____

LOCATION: _____

DATE: _____

PRODUCT SPECIFICATIONS

STYLE #: **D9-3086**

SERIES NAME: LINEA

CATEGORY: Wall Sconce

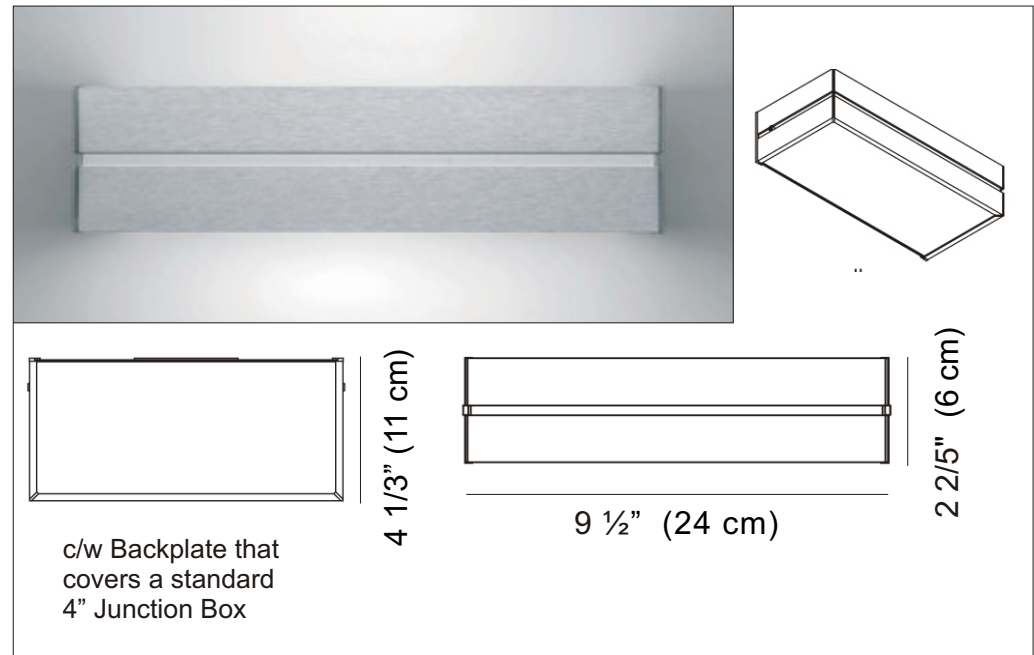
COLOR /FINISH: Brushed Aluminum

DIFFUSER: Frost White Glass

LAMP: Halogen T3Q (119mm) 120V

MAX WATT: 1 x 100W

DIMENSIONS: L. 9 1/2" x Ht. 2 2/5" x Ext. 4 1/3"
Backplate: L. 4 1/4" x W. 4 1/4"



APPROVALS:

Approved by  for North American Standards.

NOTES: _____