

**DOMINO WALL SCONCE**



**Project Name:** \_\_\_\_\_

**Fixture Type:** \_\_\_\_\_

**Product Code: D8-3105**

**Style:** Wall Sconce

**Structure:** Metal

**Diffuser:** White and Black Glass

**Finish:** Nickel

**Max Watt:** 1 x 100W

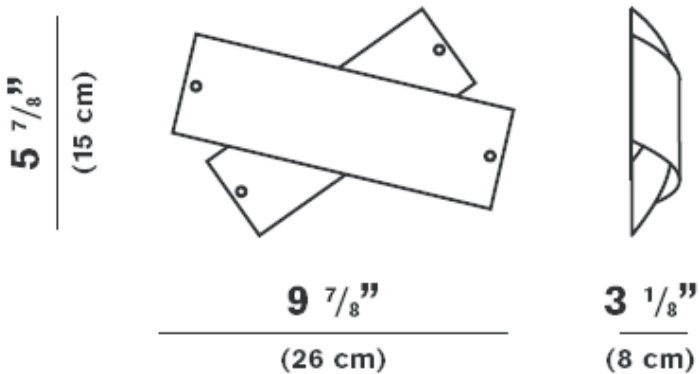
**Lamp/Ballast:** Halogen T3Q/3 (79mm)

**Dimensions:** D. 9 7/8" x Ht. 5 7/8" x Ext. 3 1/8"

**Approval:** Approved by  for North American Standards..

**Notes:** SHOWN IN WHITE. ACTUAL DIFFUSER IS WHITE AND BLACK GLASS

Dimensions



ADA

STANDARD: COMES WITH 5 FEET OF WIRE AND AIRCRAFT CABLE