



JOB: _____

LOCATION: _____

DATE: _____

CATALOG: DECORATIVE D8 2005/06

PRODUCT SPECIFICATIONS

STYLE # D8-4004

SERIES NAME: KUBIK

COLOR / FINISH: Gray Metal

DIFFUSER: Blown Matte White Glass

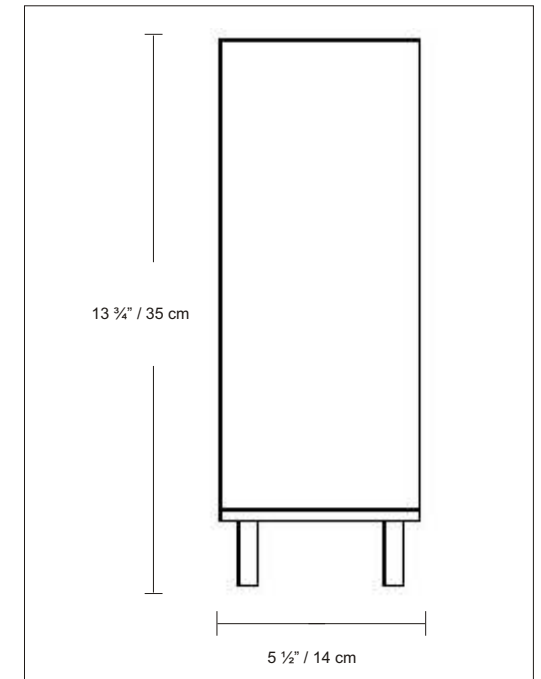
LAMP TYPE: Halogen T10 Medium



MAX WATT: 1 x 150W

DIMENSIONS: W. 5 1/2" x Ht. 13 3/4"

APPROVALS: Approved by CSA for
North American Standards.



NOTES: _____
