

Quality Wooden Children's Furniture and Accessories
Made in America • Established 1987
www.littlecolorado.com



WARNING: ADULT ASSEMBLY REQUIRED

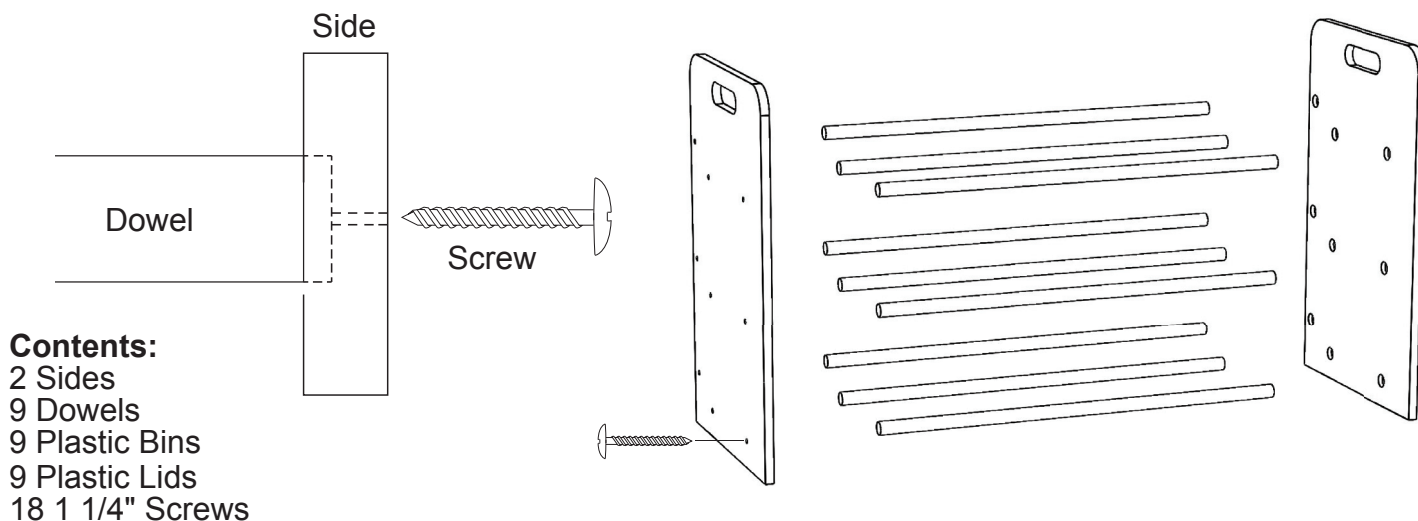
WARNING: Assembly kit contains parts with sharp edges.

WARNING: Assembly kit contains parts with sharp points.

WARNING: Package contains plastic bags that present suffocation risks for children.

WARNING: Assembly kit contains small parts that present choking hazards for children.

Assembly Instructions for 9 Bin Toy Organizer Item #68



You will need a medium phillips head screwdriver to complete the assembly of this Toy Organizer.

1. Please inspect all the parts for damage during shipping. If you suspect that there may be damage, call us and we will send replacement parts if needed. At this time, visualize how the components fit together per the above drawing and make sure that you have everything identified.
2. Insert the end of one round dowel into the circular cutout in one of the sides and install a screw into the pre-drilled holes. Tighten the screw. Now assemble the other eight dowels the same way on the same side. Due to the variation in the density of the wood in these dowels, some screws may be harder than others to fully tighten. In the case of a screw that is hard to turn, a helpful suggestion is to put one drop of a liquid soap or vegetable oil in the hole and on the point of the screw. If a screw turns very easily and never becomes tight enough, remove the screw, put a wooden toothpick broken in half into the hole and tighten again.
3. Turn the assembly so that the dowels are facing up, fit the other side on top these nine dowels and install and tighten their screws.
4. The handles are on the upper side and the plastic bins slide in from the front.
5. The finish can be cleaned and restored to a like-new condition by using a good quality lemon oil or clear furniture polish.

All of us at Little Colorado, Inc. hope that you and your little ones enjoy this Toy Organizer for many years. Please call us if you need any help in assembly.