

Quality Wooden Children's Furniture and Accessories
Made in America • Established 1987
www.littlecolorado.com



WARNING: ADULT ASSEMBLY REQUIRED

WARNING: Assembly kit contains parts with sharp edges.

WARNING: Assembly kit contains parts with sharp points.

WARNING: Package contains plastic bags that present suffocation risks for children.

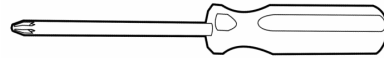
WARNING: Assembly kit contains small parts that present choking hazards for children.

Assembly Instructions for Child's Wardrobe Item #35

Contents:

- | | | |
|----------------------|------------------|----------------------|
| 1 - Right Side Panel | 1 - Bottom Shelf | 3 - Pegs |
| 1 - Left Side Panel | 2 - Trim Panels | 3 - Washers |
| 1 - Center panel | 1 - Hanger Rod | 3 - #8 x 5/8" Screws |
| 1 - Shelf Back | 22 - Bolts | 1 - Allen Wrench |
| 4 - Shelves | 22 - Barrel Nuts | |

You will need a standard phillips screwdriver to complete assembly.



1. Please inspect the parts for damage during shipping and for any missing items. If you suspect that there may be damage or a shortage, please contact us so we can send any replacement parts that may be needed. At this time, please visualize how the components fit together per the drawings and make sure that you have everything identified. Do not remove the protective paper or plastic cover from the mirror until assembly is complete.

2. Locate the large wooden panel that has three holes aligned horizontally near the top of the panel. Place the panel on a carpeted floor with the shelf grooves facing down (toward the carpet).

Push the three wooden pegs into the three 1/2" holes. If the wooden pegs do not go all the way into the holes they can be hammered into place. Protect the end of the peg with a soft towel or cloth before hammering the pegs into place.

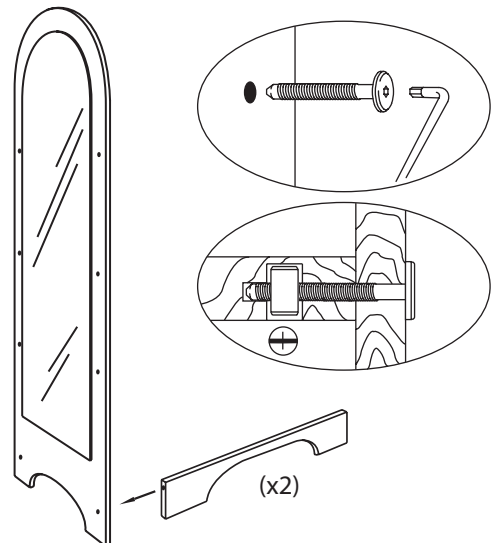
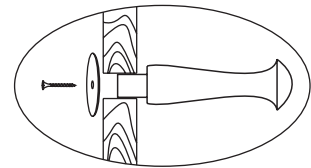
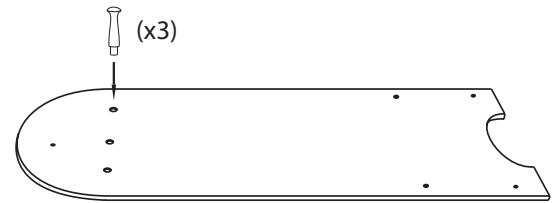
Place one of the #8 x 5/8" screws through a washer and into the center of the peg shank as shown and tighten snug with a phillips screwdriver. Repeat this step to secure the other two pegs.

*After the pegs have been installed, set this panel aside for later installation.

3. Locate the large wooden panel with the mirror attached to it. Using two bolts and two barrel nuts, attach the two bottom trim pieces to the mirror panel.

The two trim panels should fit snugly into the two vertical grooves on the backside of the mirror panel.

Place the barrel nut into the bottom trim piece and insert a bolt through the mirror panel and into the barrel nut. **Tighten the bolt snug and then back the bolt out two complete turns (counter-clockwise).**

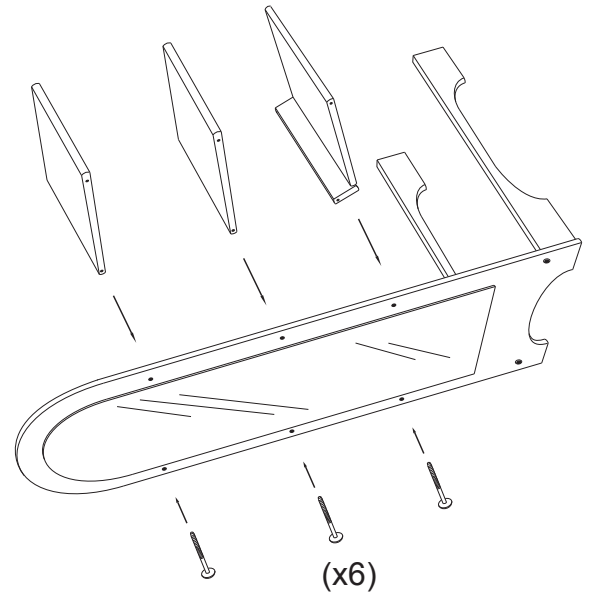
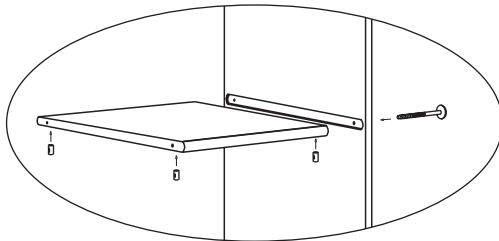


Quality Wooden Children's Furniture and Accessories
Made in America • Established 1987
www.littlecolorado.com

4. Lay down the mirror panel with trim panels attached onto its back. Using six bolts and six barrel nuts, attach the top, middle and angled shelves.

The shelves should fit snugly into their respective grooves on the backside of the mirror panel.

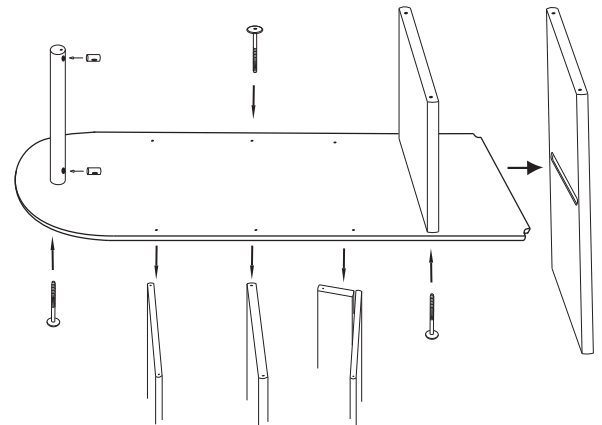
Tighten the bolts snug and then back the bolts out two complete turns (counter-clockwise).



5. Locate the Center panel. Using three bolts and three barrel nuts, attach the hanger rod and the lower shelf. **Tighten the bolts snug and then back the bolts out two complete turns (counter-clockwise).**

6. Rotate the mirror panel and attached shelves so that the mirror is face down on the carpeted floor and the attached shelves are pointing up. Place the bottom shelf into its slot on the mirror panel (just above the bottom trim pieces).

7. Place the center panel into the groove of the bottom shelf and onto the three shelves attached to the mirror panel. Make certain that the three shelves fit snugly into their three slots on the underside of the center panel. Secure the shelves to the center panel with six bolts and six barrel nuts. **Tighten the bolts snug and then back the bolts out two complete turns (counter-clockwise).**



8. With the wardrobe still laying with the mirror face down, place the panel with the three wooden pegs into position. Make sure that the hanger rod, shelves and bottom trim pieces fit into their gooves on the underside of the panel. Using five bolts and five barrel nuts, secure the panel snugly and then back the bolts out two complete turns (counter-clockwise).
9. Place the assembled Wardrobe upright on a level surface. Adjust it if necessary so that it sits flat and then tighten all bolts the remaining two turns until snug.
10. Remove the protective paper or plastic from the mirror. Assembly is now complete.

Care and Cleaning:

The painted surfaces can be cleaned using only a soft cloth and a non-abrasive cleaner. Do not use cleaners that contain ammonia such as Windex. The mirror surface can be scratched if anything other than a soft cloth is used. Paper towels, for example, can scratch the acrylic mirror surface.

All of us at Little Colorado, Inc. hope that you and your little ones enjoy this Child's Wardrobe for many years. Please call us if you need any help in assembly.

Manufactured in America by:

Little Colorado, Inc. 4450 Lipan Street Denver, Colorado 80211

Phone 303-964-3212 Fax 303-964-3213 www.littlecolorado.com email: info@littlecolorado.com