



Portofino Crib Changer



WARNING: Read all instructions before assembling crib.
Keep instructions in the pouch for future reference.

WARNING

- ✂ **Failure to follow these warnings and the assembly instructions could result in serious injury or death.**
- ✂ Infants can suffocate on soft bedding. Never add a pillow or comforter. Never place additional padding under an infant.
- ✂ The mattress used in this crib should not be more than 6 inches (15cm) thick and should be of such length and width that the gap between the mattress and the sides of the crib is not more than 1-3/16 inches (3cm) when the mattress is pushed into the corner of the crib.
- ✂ Infants can suffocate in gaps between cribs sides and a mattress that is too small.
- ✂ Check this product for damaged hardware, loose joints, loose bolts or other fasteners, missing parts, or sharp edges before and after assembly and frequently during use. Securely tighten loose bolts and other fasteners. **DO NOT** use crib if any parts are missing, damaged or broken. Contact Stork Craft for replacement parts and instructional literature if needed. **DO NOT** substitute parts.
- ✂ To reduce the risk of SIDS, pediatricians recommend healthy infants be placed on their backs to sleep, unless otherwise advised by your physician.
- ✂ Do not use a water mattress with this crib.
- ✂ Never use plastic shipping bags or other plastic film as mattress covers because they can cause suffocation.
- ✂ If refinishing, use a non-toxic finish specified for children's products.
- ✂ Replace teething rail if damaged, cracked or loose.
- ✂ **DO NOT** use this crib if the attached or enclosed instructions cannot be strictly adhered to.
- ✂ **STRANGULATION HAZARD:** Strings can cause strangulation! Do not place items with a string around a child's neck, such as hood strings or pacifier cords. Do not suspend strings over a crib or toddler bed for any reason or attach strings to toys.
- ✂ To help prevent strangulation tighten all fasteners. A child can trap parts of the body or clothing on loose fasteners.
- ✂ **DO NOT** place crib near window where cords from blinds or drapes may strangle a child.
- ✂ **FALL HAZARD:** When child is able to pull to a standing position, set mattress to lowest position and remove bumper pads, large toys and other objects that could serve as steps for climbing out.
- ✂ Stop using crib when child begins to climb out or reaches the height of 35 inch. (89 cm).
- ✂ **FOLLOW WARNINGS ON ALL PRODUCTS IN A CRIB.**

CAUTION: ANY MATTRESS USED IN THIS CRIB MUST BE AT LEAST 27-1/4" (69cm) X 51-5/8" (131cm) WITH A THICKNESS NOT EXCEEDING 6"(15cm). THIS PRODUCT CONFORMS TO APPLICABLE REGULATIONS PROMULGATED BY THE CONSUMER PRODUCT SAFETY COMMISSION.

DISTRIBUTED BY:
STORK CRAFT MANUFACTURING INC.
7433 NELSON ROAD
RICHMOND, BC, CANADA
TEL: 1 877 274 0277

CHANGING TABLE WARNINGS



FAILURE TO FOLLOW THESE WARNINGS AND THE ASSEMBLY INSTRUCTIONS COULD RESULT IN SERIOUS INJURY OR DEATH.

- ✎ FALL HAZARD - TO PREVENT DEATH OR SERIOUS INJURY, ALWAYS KEEP CHILD WITHIN ARM'S REACH. NEVER LEAVE CHILD UNATTENDED.
- ✎ READ ALL INSTRUCTIONS BEFORE USE OF CHANGING TABLE. KEEP INSTRUCTIONS FOR FUTURE USE.
- ✎ CHECK ALL SCREWS AND BOLTS ARE TIGHT.
- ✎ DO NOT USE THE CHANGING TABLE IF IT IS DAMAGED OR BROKEN.
- ✎ USE ONLY PAD PROVIDED BY THE MANUFACTURER.
- ✎ TO INSURE THE SAFETY OF YOUR CHILD, THE RESTRAINT SYSTEM MUST BE USED.
- ✎ MAXIMUM WEIGHT OF CHILD: 30 LBS. (13.6KG.)

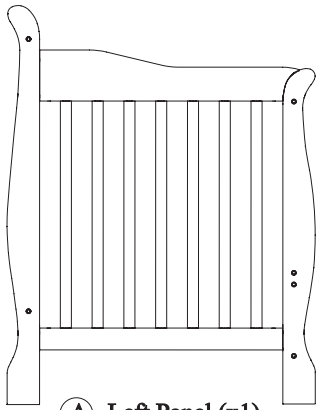
TODDLER BED WARNINGS

WARNING: ENTRAPMENT/STRANGULATION HAZARD

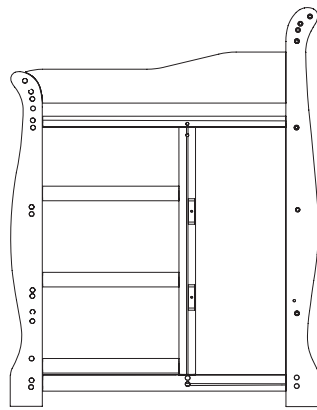
INFANTS HAVE DIED IN TODDLER BEDS FROM ENTRAPMENT AND STRANGULATION. FAILURE TO FOLLOW THESE WARNINGS AND THE ASSEMBLY INSTRUCTIONS COULD RESULT IN SERIOUS INJURY OR DEATH.

- ✎ **Never** use bed with children under 15 months.
- ✎ **Never** place bed near windows where cords from blinds or drapes may strangle a child.
- ✎ **Do not** place items with a string, cord, or ribbon around a child's neck, such as hood strings or pacifier cords.
- ✎ **Do not** suspend strings over a toddler bed for any reason.
- ✎ The user's maximum weight shall not be greater than 50 lb (22.7kg).
- ✎ The mattress intended for use on the bed shall be a full-size crib mattress having minimum dimensions of 51 1/8 in. (1310mm) in length, 27 1/4 in. (690mm) in width and 4 in. (100mm) in thickness.
- ✎ Guardrails provided must be used to avoid the formation of a gap between the mattress and the bed that could cause an entrapment.

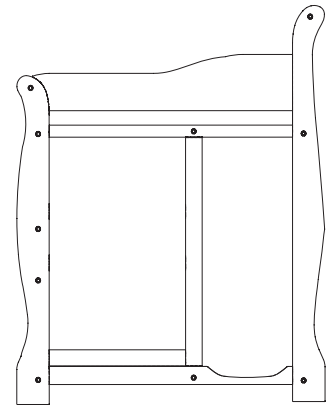
Identifying The Parts



A - Left Panel (x1)



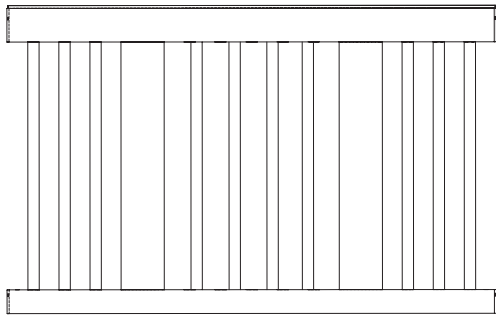
B - Center Panel(x1)



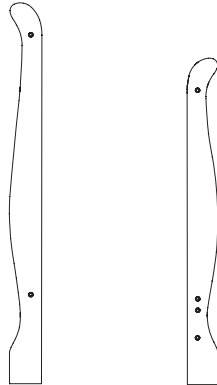
C - Right Panel(x1)

A2 - Left Back Post (x1)

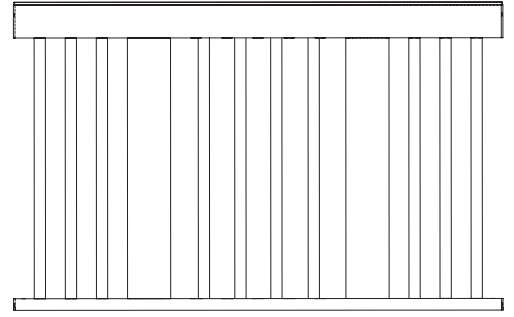
A1 - Left Front Post (x1)



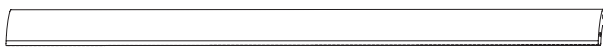
D - Front Rail (x1)



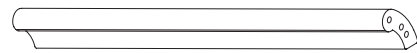
V - Rear headboard leg (x1) **W** - Front footboard Leg (x1)



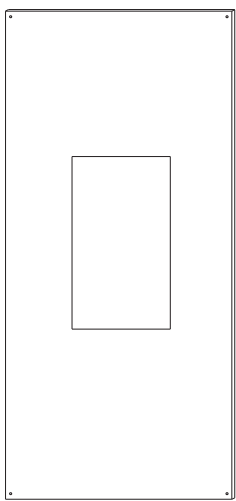
E - Back Rail (x1)



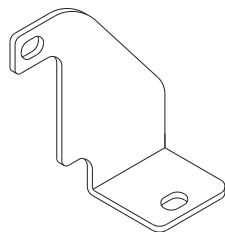
D1 - Front & Back Rail Top (x2)



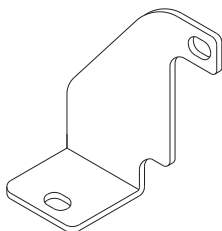
C1 - Changer Front Top (x1)



F - Mattress Base (x1)



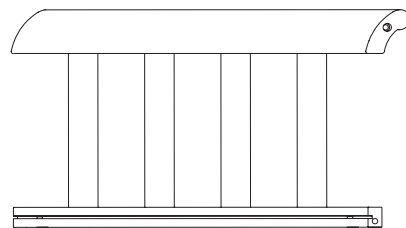
G - Left Support Brackets(x2)



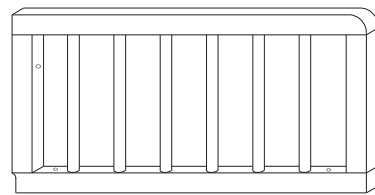
H - Right Support Brackets(x2)



I - Support Sticks (x2)



C2 - Changer back Support Bar (x1)

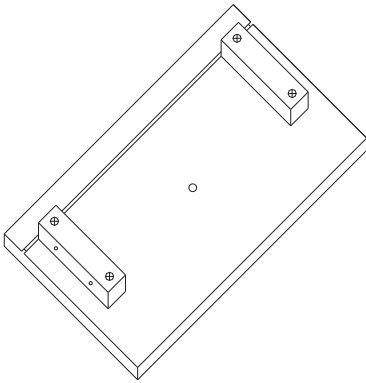


J - Safety Rail (x1)

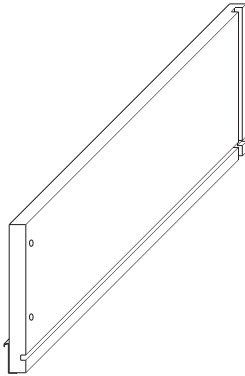


K - Guard Rail (x1)

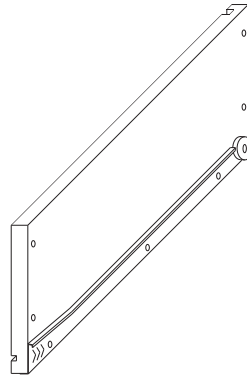
Identifying The Parts



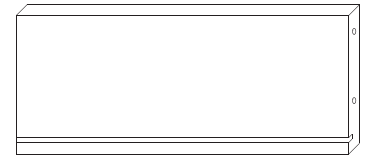
L - Drawer Front (x3)



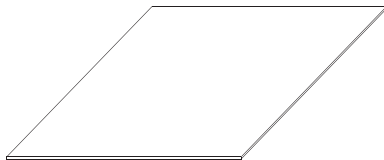
M - Left Drawer Side (x3)



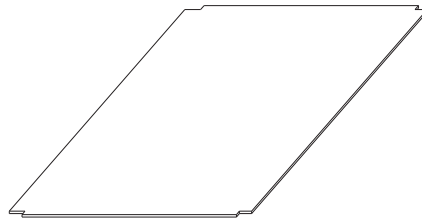
N - Right Drawer Side (x3)



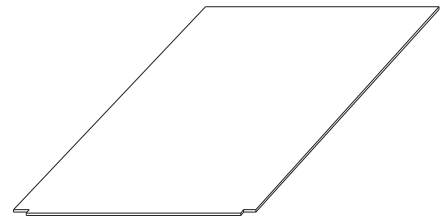
O - Drawer Back (x3)



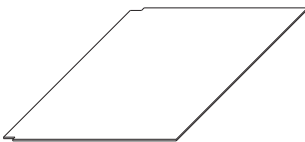
P - Drawer Bottom (x3)



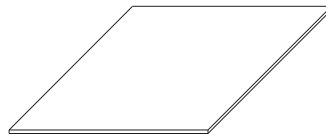
Q - Changer Top Shelf (x1)



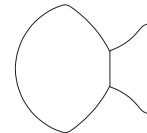
R - Changer Center Panel (x1)



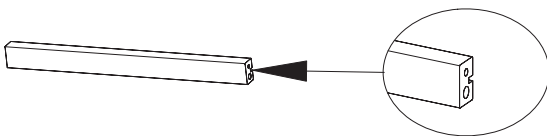
S - Changer Bottom (x1)



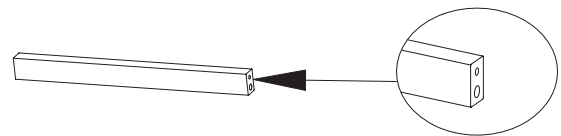
T - Changer Shelve (x2)



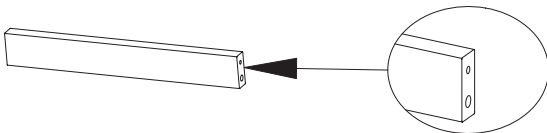
U - Wooden Knobs (x3)



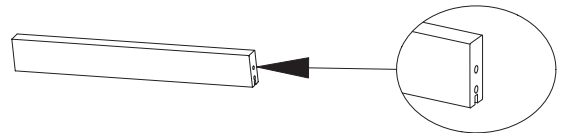
1 - Changer Top Shelf Support (x1)



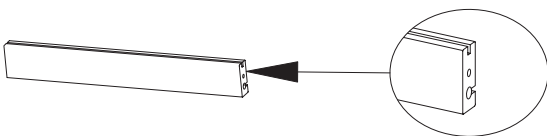
2 - Changer Supports (x2)



3 - Changer Front Lower (x1)



4 - Changer Center Up (x1)

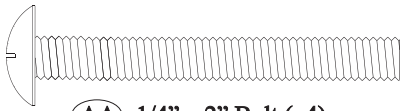


5 - Changer Center Lower (x1)



6 - Changer Back Lower (x1)

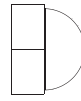
Identifying The Parts



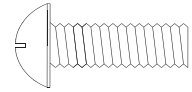
ⒶⒶ- 1/4" x 2" Bolt (x4)



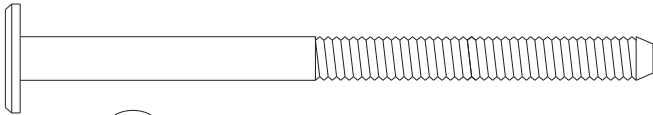
ⒷⒷ- Lock Washer (x8)



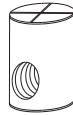
ⒸⒸ- Acorn Nut (x4)



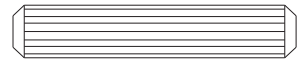
ⒹⒹ- 1/4" x 3/4" Bolt (x16)



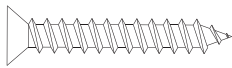
ⒺⒺ- 1/4" x 3-1/2" Bolt (x4)



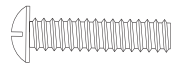
ⒻⒻ- Barrel Nut (x12)



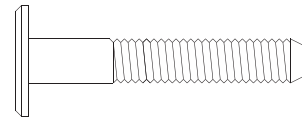
ⒼⒼ- Wooden Dowel (x18)



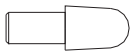
ⒻⒻ- 1-1/8" Wood Screw (x24)



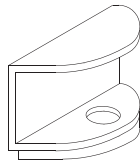
ⒿⒿ- Knob Screw (x3)



ⓀⓀ- 1/4" X 1-1/2" Bolt (x16)



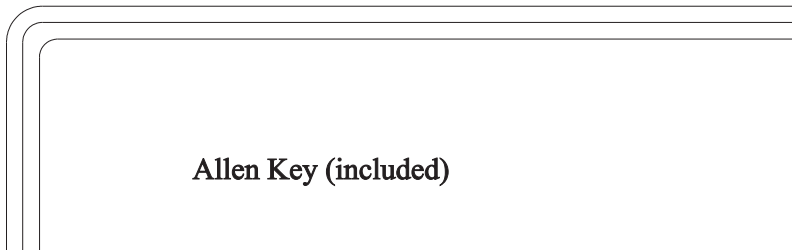
ⓁⓁ- Black Step Dowel (x14)



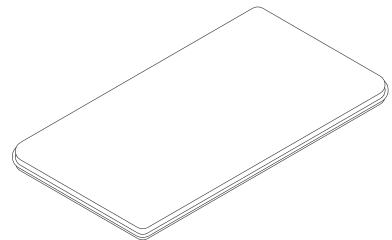
ⓂⓂ- Shelf Clip (x8)



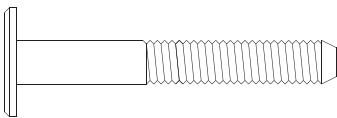
ⓃⓃ- Retainer Screw (x8)



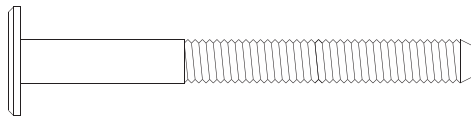
Allen Key (included)



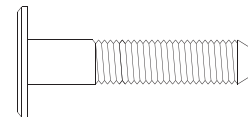
ⓇⓇ- Changer Pad (x1)



ⓈⓈ- 1/4" x 1-3/4" Bolts (x3)



ⓉⓉ- 1/4"x -2-1/2" Bolts (x8)



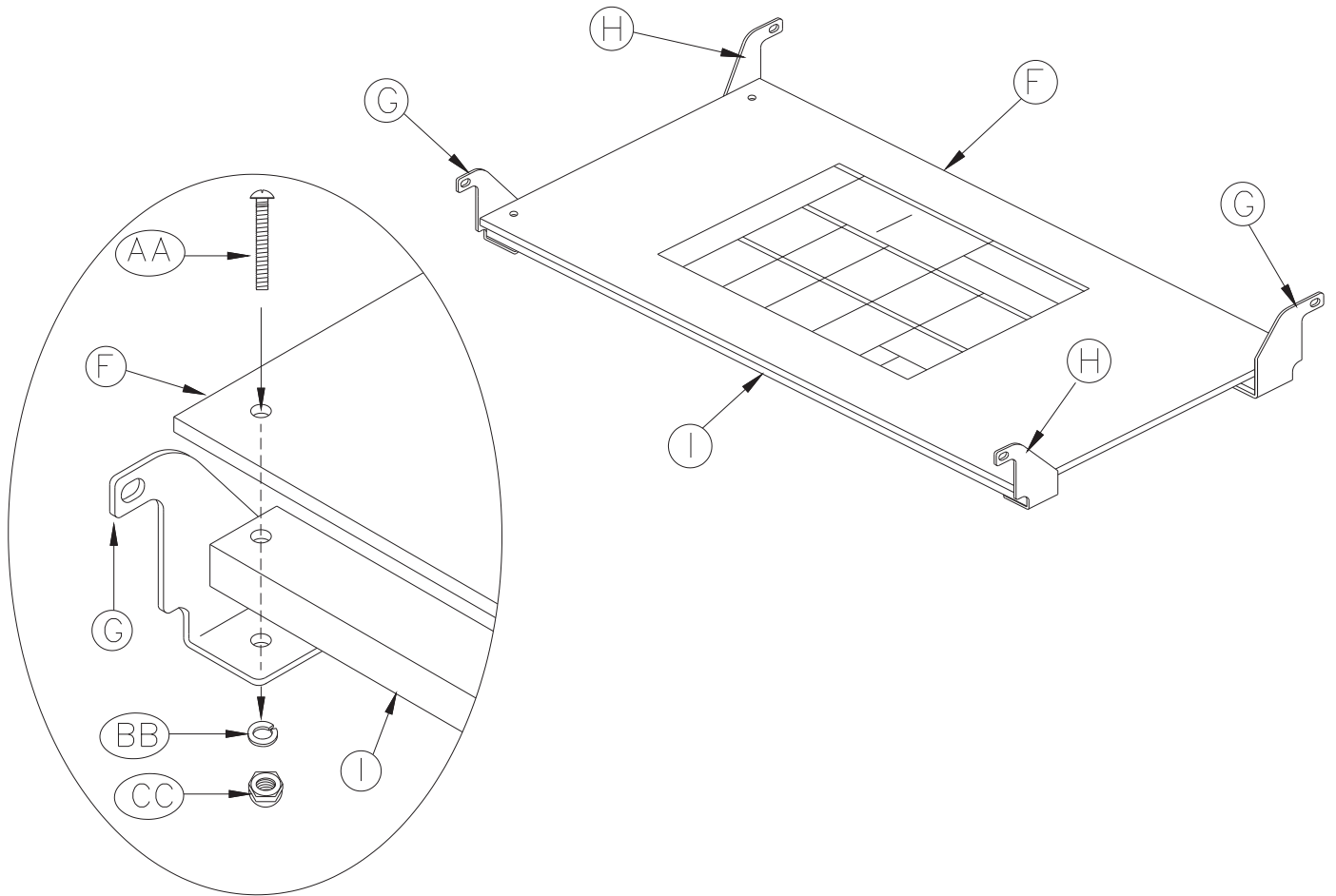
ⓊⓊ- 1/4" X 1-1/4" Bolt (x4)

TOOLS REQUIRED:

- Phillips Screwdriver (not included)
- Slotted Screwdriver (not included)
- Adjustable Wrench (not included)
- Allen Key (included)

1

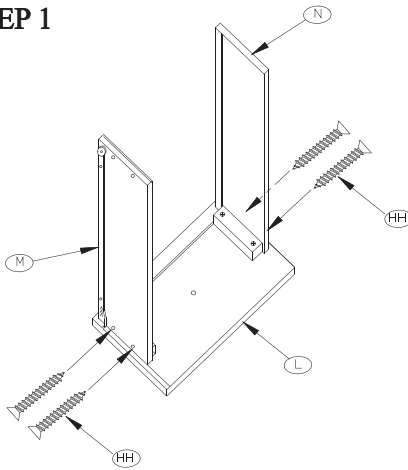
ASSEMBLE MATTRESS BASE



1. Position Support Sticks (I) on a flat surface.
2. Position Mattress Base (F) with the warning label up and align the corner holes to the holes of the Support Sticks.
3. Fit the Left and Right Support Brackets (G & H) to the Supports Sticks and Mattress Base so that the hooked ends are outwards. See diagram above for correct positioning.
4. Insert the bolts through each Lock Washers (BB), Mattress Base (F), Support Sticks (I) and Brackets (G & H).
5. Attach lock washer (BB) and Acorn Nut (CC) to each bolt.
6. Using a slotted screwdriver and adjustable wrench, tighten the hardware. DO NOT over-tighten.

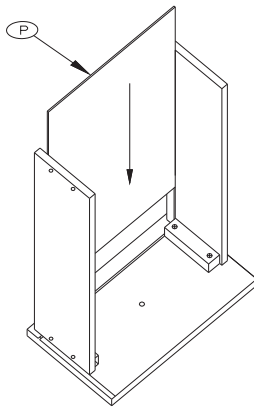
2 ASSEMBLE DRAWERS

STEP 1



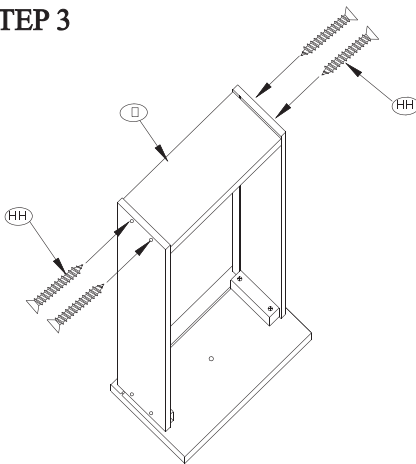
STEP 1: Attach Left Drawer Side (M) and Right Drawer Side (N) to Drawer Front (L) using the 1-1/8" Wood Screws (HH) provided. Tighten screws using a Phillips screwdriver.

STEP 2



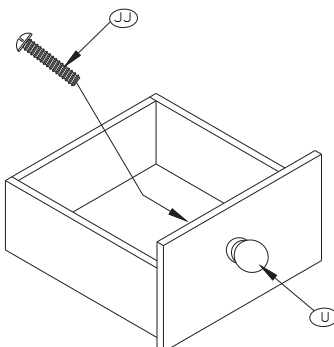
STEP 2: Insert Drawer Bottom (P) into the grooves of the Left Drawer Side (M), Right Drawer Side (N) and Drawer Front (L).

STEP 3



STEP 3: Attach Drawer back (O) to Left Drawer Side (M) and Right Drawer Side (N) using Wood Screws (HH) provided. Tighten screws using a Phillips screwdriver.

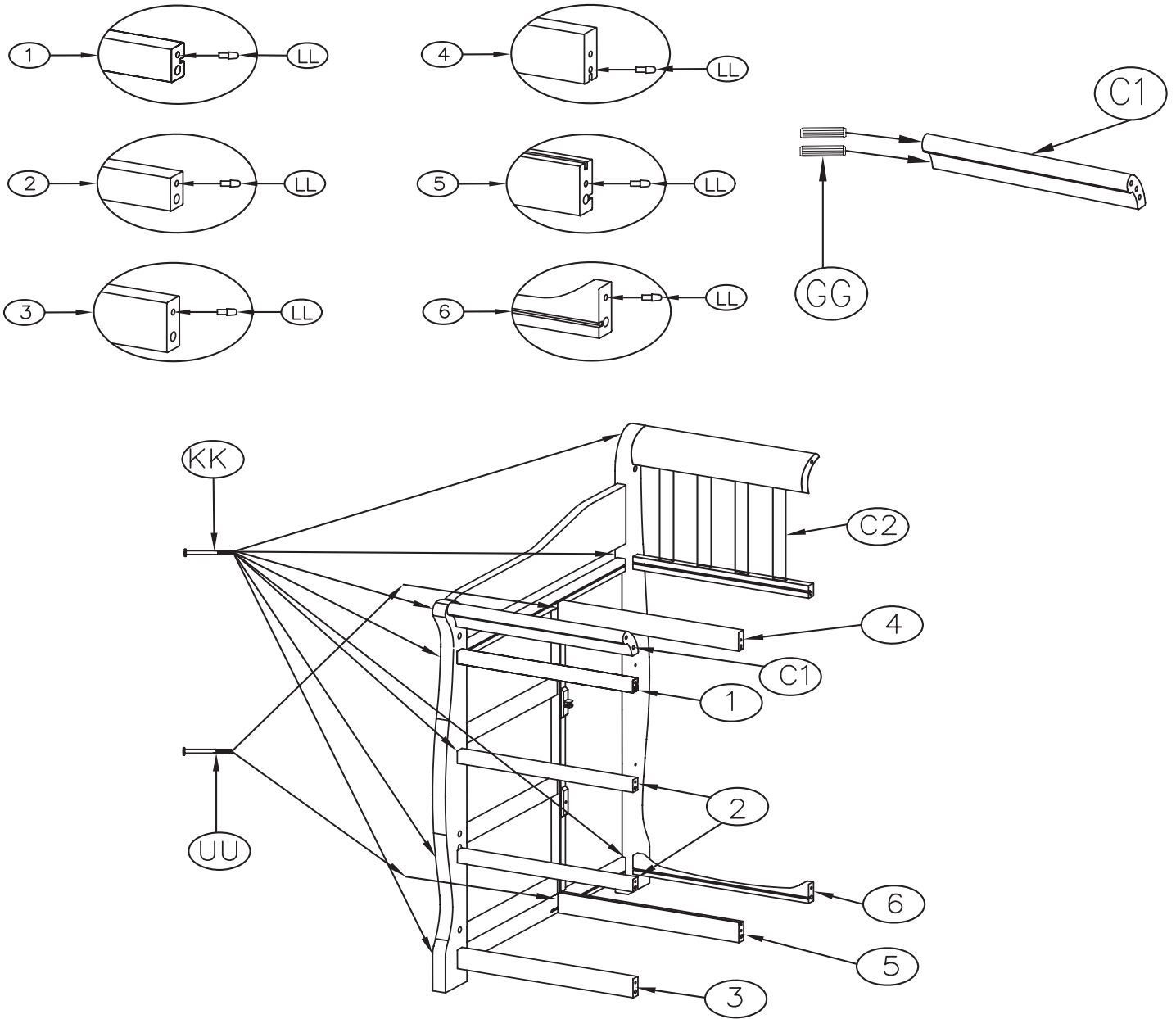
STEP 4



STEP 4: Attach Wooden Knob (U) to Drawer Front (L) using Knob ScREW (JJ) provided.

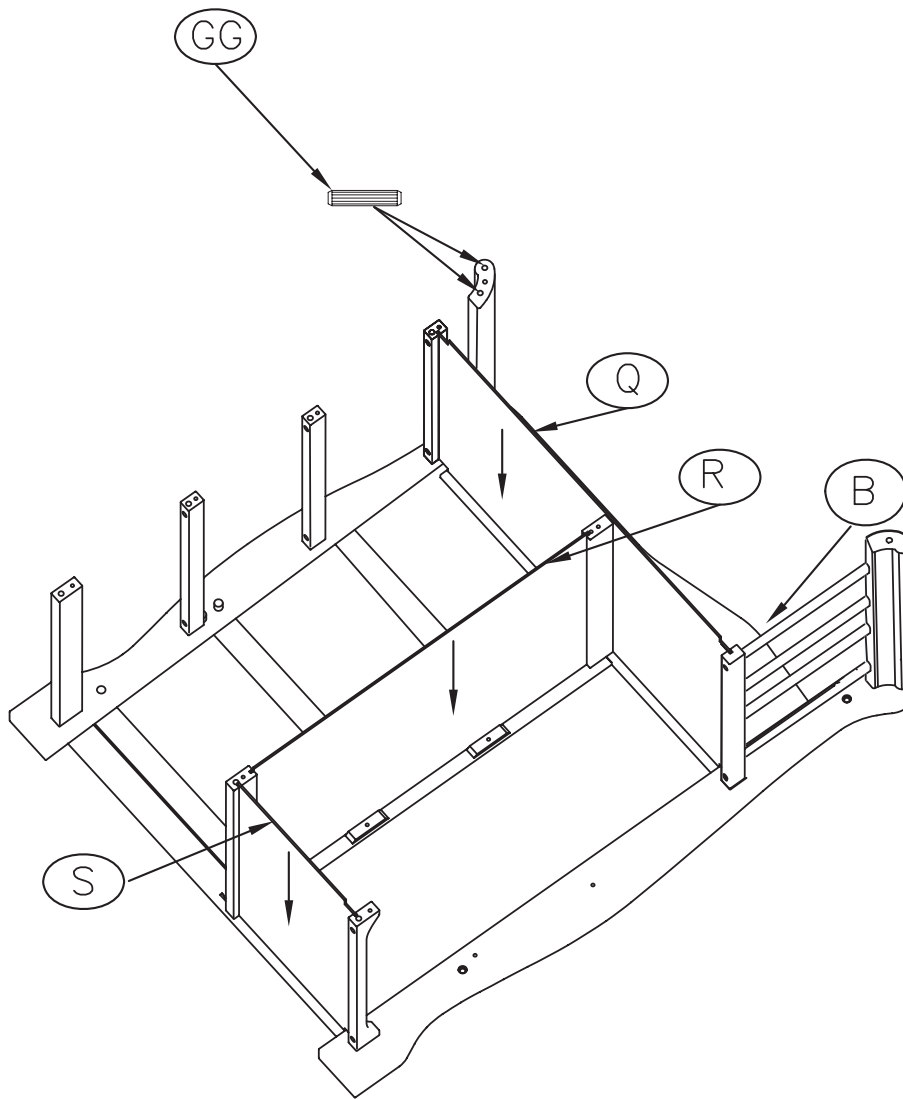
Repeat Steps 1 to 4 for the other 2 drawers.

3 ASSEMBLE SUPPORTS TO CENTER PANEL



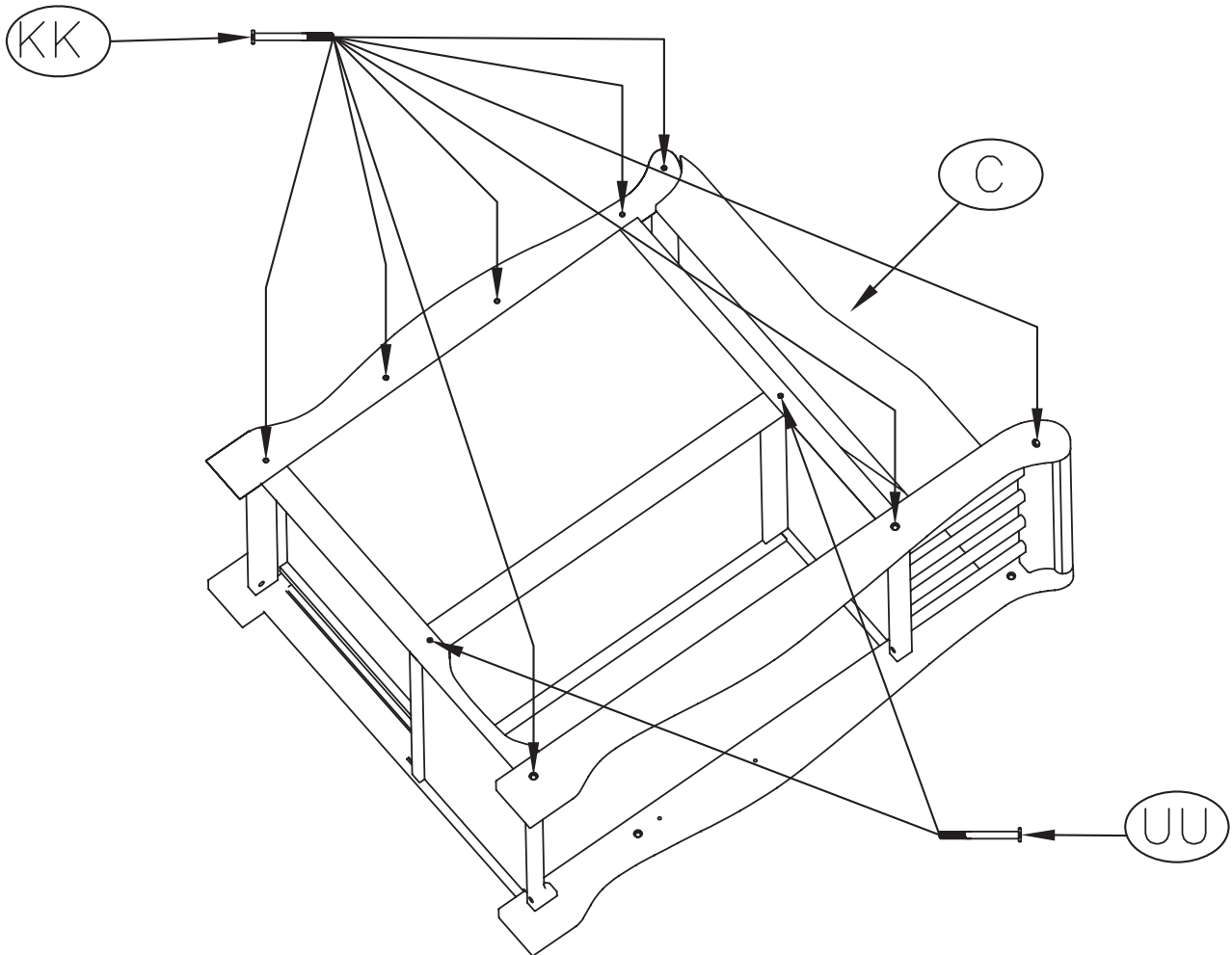
1. Insert Black Step Dowel (LL) into both ends of Changer Supports (2&3) and Changer Shelf Supports (1/4/5/6).
2. Position and attach Changer Front Top (C1) to the Center panel (B) with 4 wooden dowels(GG) inserted.
3. Position and attach Changer Supports (2&3) to Center Panel (B) using 1/4" x 1-1/2" Bolts (KK).
4. Position and attach Changer Shelf Supports (1&6) using 1/4" x 1-1/2" Bolts (KK).
5. Position and attach Changer Shelf Supports (4&5) using 1/4" x 1-1/4" Bolts (UU).

4 ASSEMBLE CHANGER TOP SHELF, CENTER PANEL AND BOTTOM



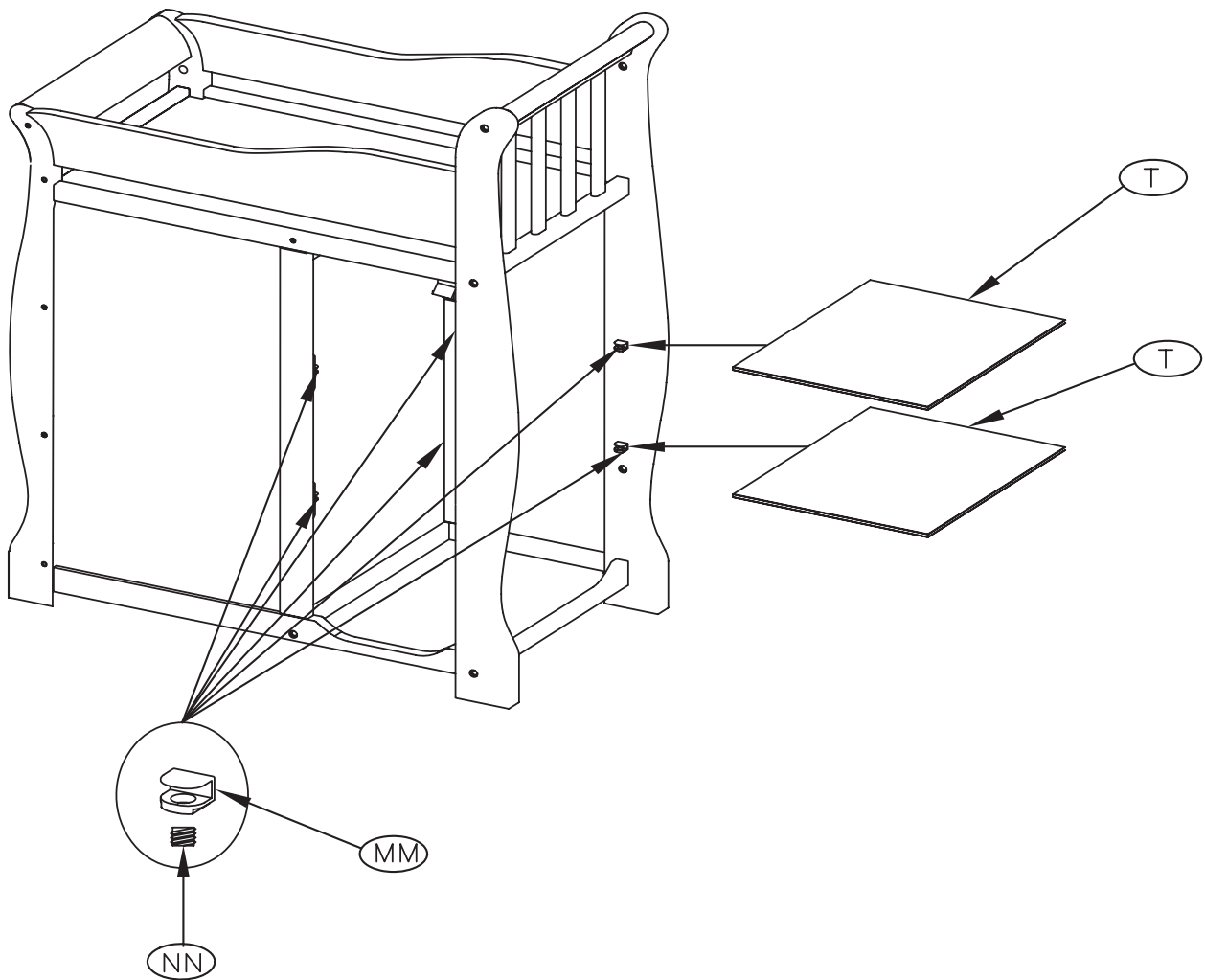
1. Lay Center Panel assembly flat on the floor.
2. Slide Changer Top Shelf (Q) into grooves of Center Panel Assembly.
3. Slide Changer Bottom (S) into grooves of Center Panel Assembly.
4. Slide Changer Center Panel (R) into grooves of Center Panel Assembly.

5 ASSEMBLE RIGHT PANEL



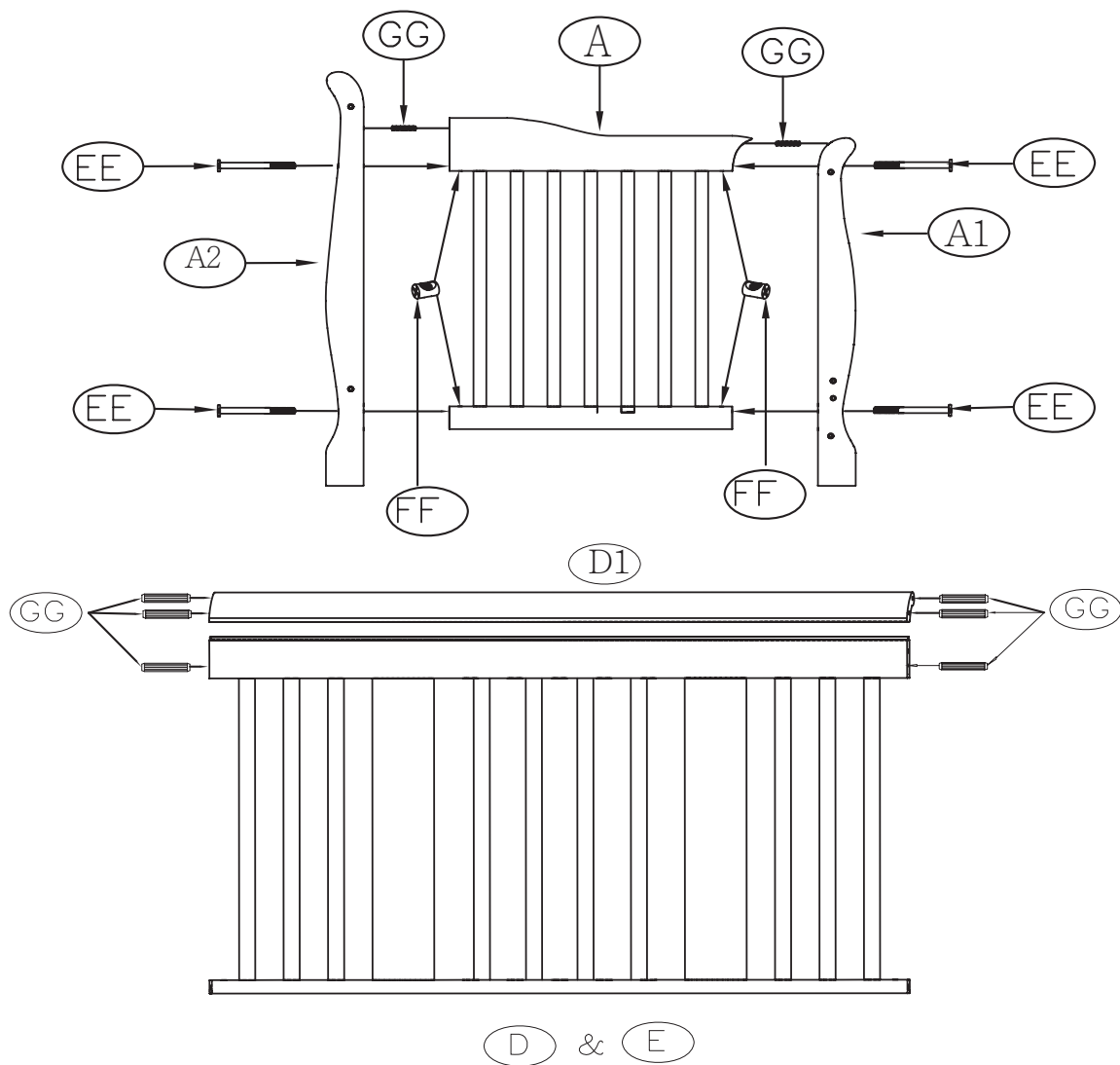
1. Carefully position Right Panel (C) making sure the dowels and the shelves are lined up to their corresponding holes and grooves respectively.
2. Attach Right Panel (C) using the 1/4" x 1-1/2" Bolts (KK) provided.
3. Position and attach Changer Center Shelf Supports using 1/4" x 1-1/4" Bolts (UU).

6 ATTACH CHANGER SHELVES



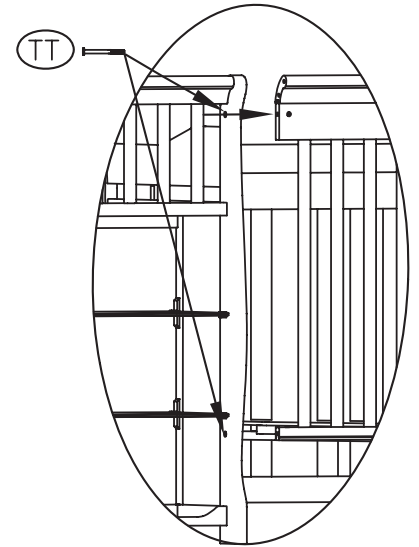
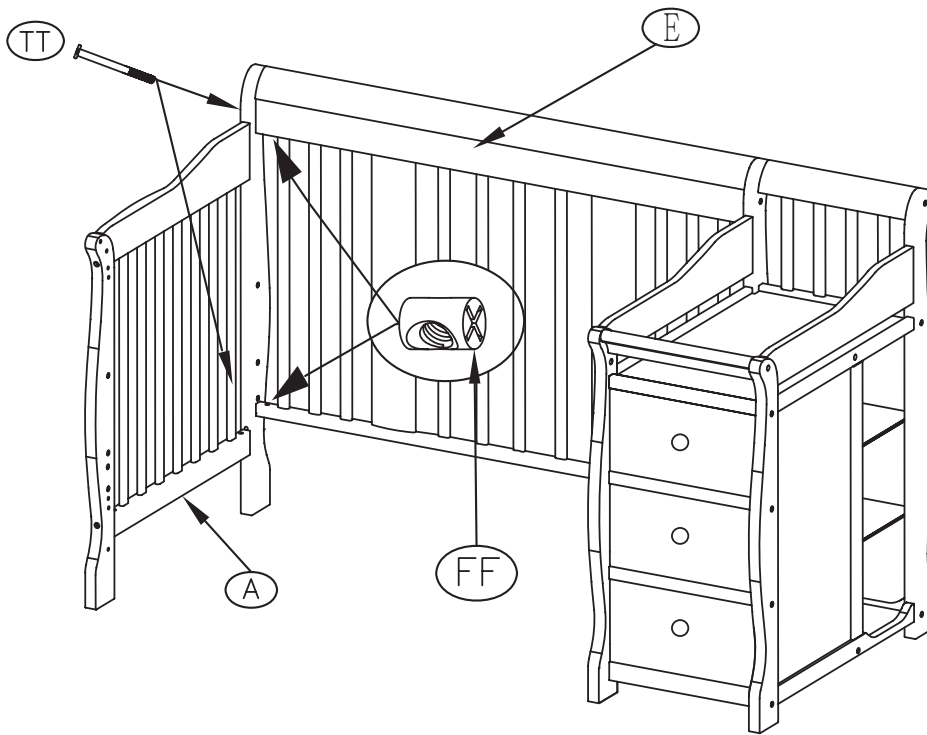
1. Carefully stand unit in the upright position.
2. Insert 8 Shelf Clips (MM) into back side of Changer (4 on each side).
3. Slide Changer Shelves (T) into Shelf Clips (MM)
4. Tighten Shelves (T) using the plastic Retainer Screws (NN) provided.

7 ASSEMBLE FRONT/BACK RAIL & LEFT PANEL



1. Insert Wooden Dowels (GG) to top of Left Front and Back Posts (A1 & A2).
2. Insert Wooden Dowels (GG) to each end of Front Rail Top (D1) and the back rail Top(D1).
3. Fit the Left Front and Back Posts (A1 & A2) to Left Panel (A) and attach them using the 1/4" x 3-1/2" Bolts (EE) and Barrel Nuts (FF) provided

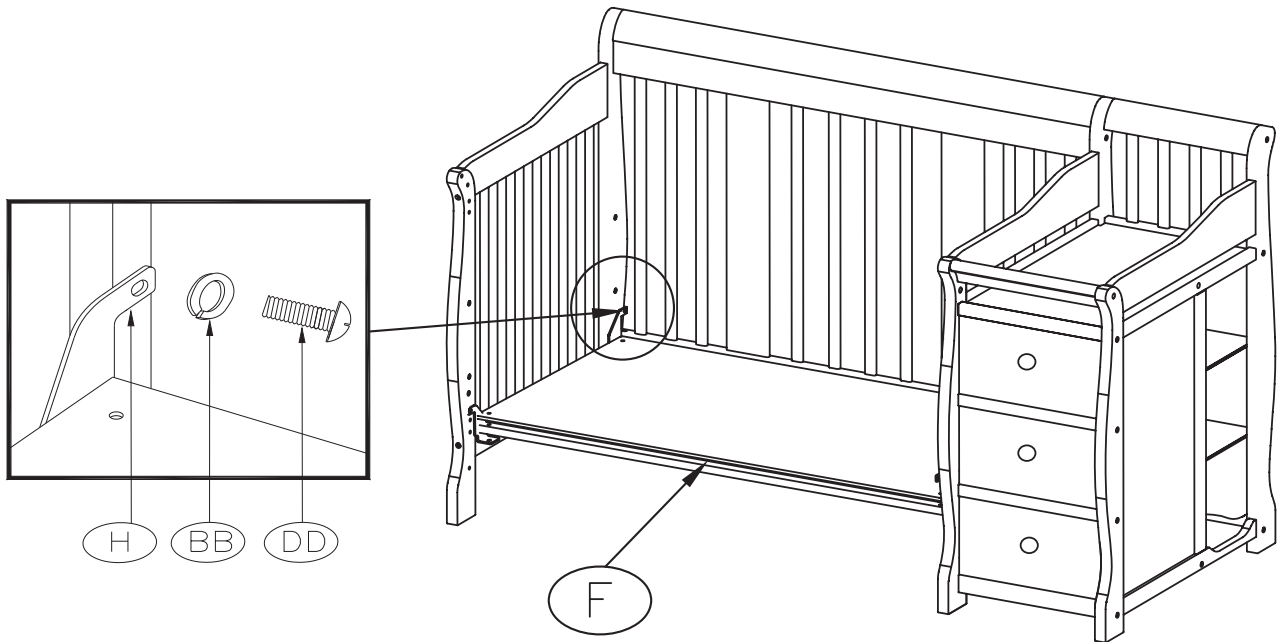
8 ASSEMBLE BACK RAIL TO CHANGER & LEFT PANEL



*Back view from behind

1. Attach Back Rail (D) to back of Changer using 2 of the 1/4" x 2-1/2" Bolts (TT) provided.
2. Attach Left Panel (A) to Back Rail (E) using 2 of the 1/4" x 2-1/2" Bolts (TT) with Nuts (FF) provided.
3. Using the Allen Key, tighten bolts. DO NOT over-tighten.

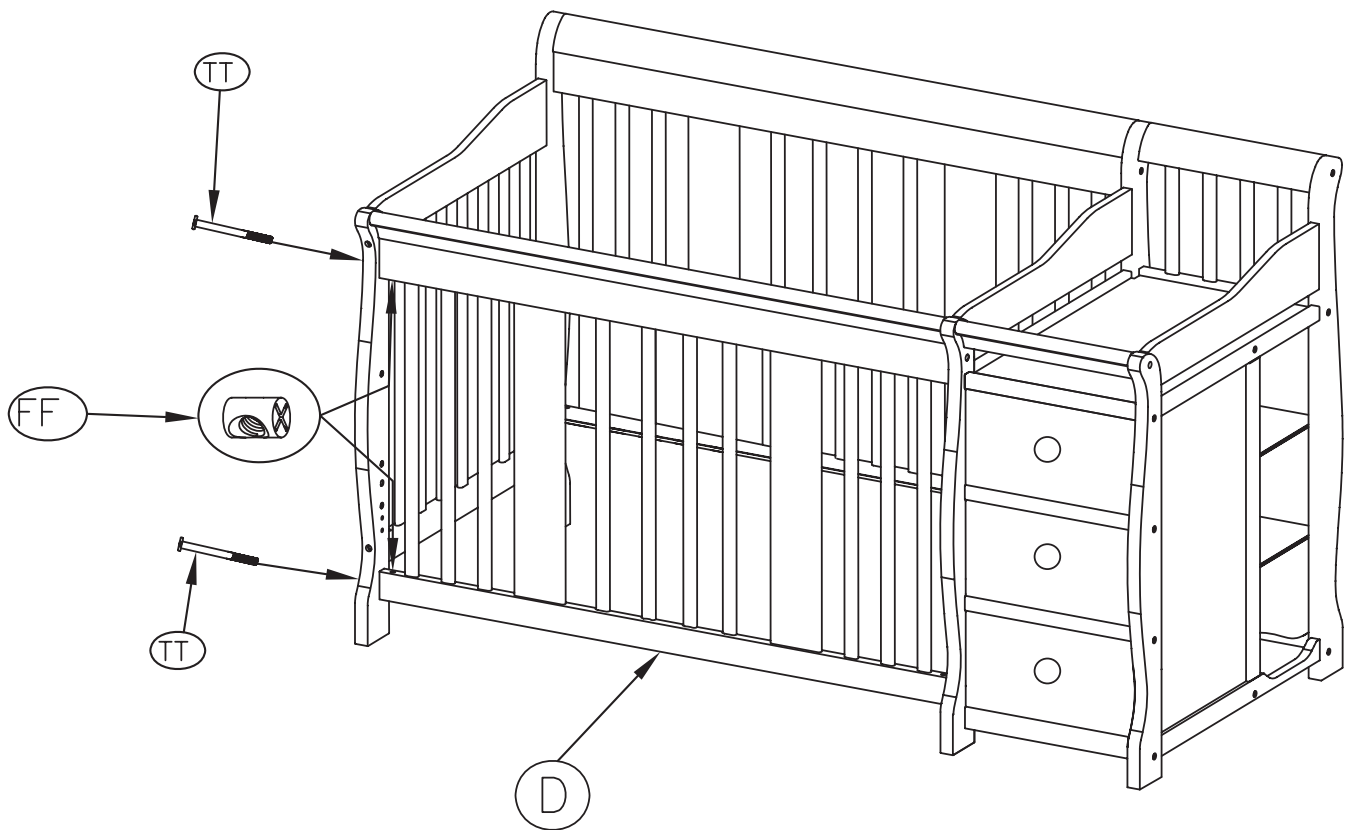
9 ASSEMBLE MATTRESS BASE TO CRIB



NOTE: This assembly step may require two people. Assemble mattress base in the highest position for a newborn. As baby grows, the mattress base should be lowered to prevent baby from climbing out.

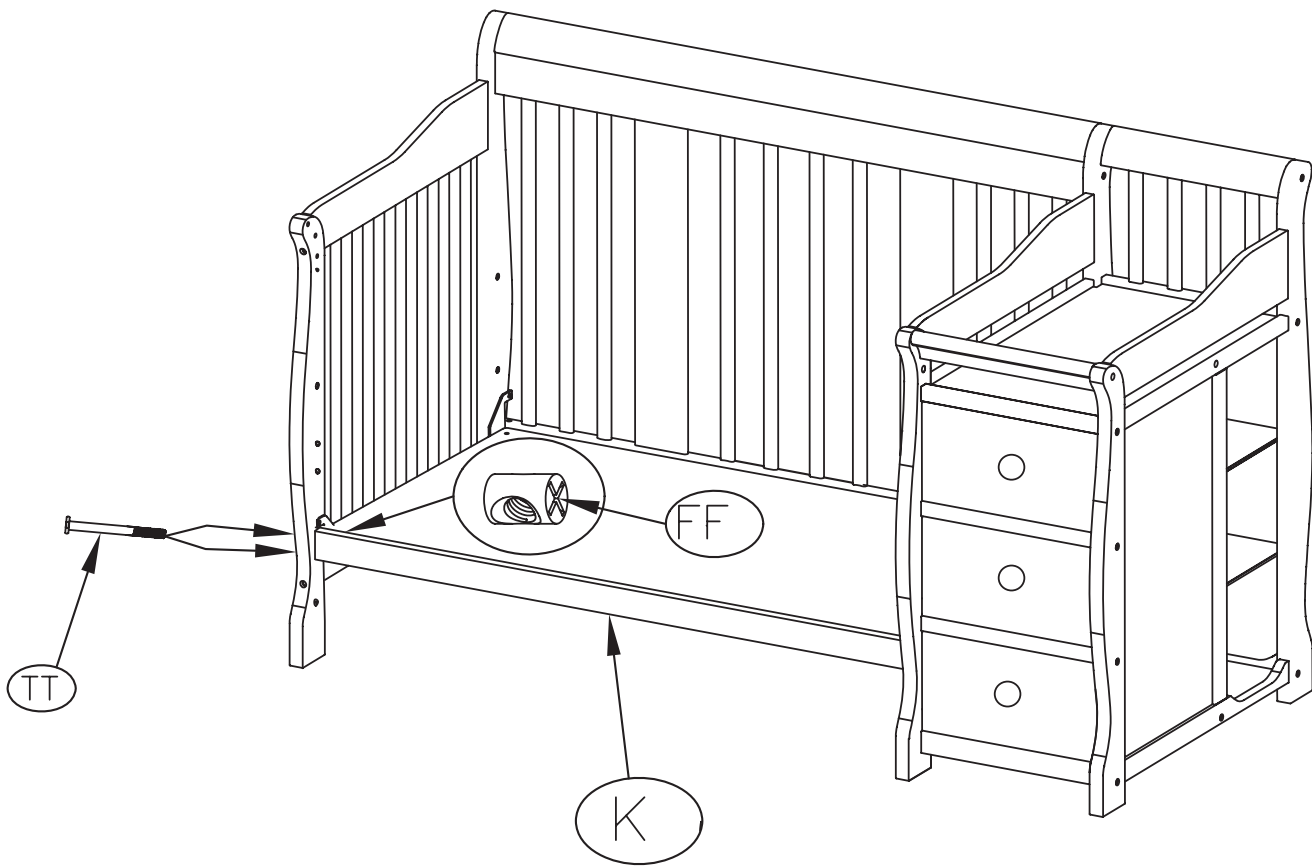
1. Position the mattress base assembly with warning label up between the Left Panel and Changer.
2. Attach base using 1/4" x 3/4" Bolts (DD) and Lock Washers (BB).
3. DO NOT over-tighten.

10 ASSEMBLE FRONT RAIL



1. Position the Front Rail (D) between the Left Panel and Changer.
2. Attach Front Rail (D) using four 1/4" x 2-1/2" Bolts (TT) and four Barrel Nuts (FF) provided.
3. Using the Allen Key, tighten bolts. DO NOT over-tighten.

11 TO CONVERT CRIB INTO A DAY BED



Note: Before converting crib to Day Bed, make sur the mattress base is in the lowest position.

1. Remove Front Rail.
2. Using the same four 1/4" x 2-1/2" Bolts (TT) and four Barrel Nuts (FF), attach Guard Rail (K).
3. Using the Allen Key, tighten bolts. DO NOT over-tighten.

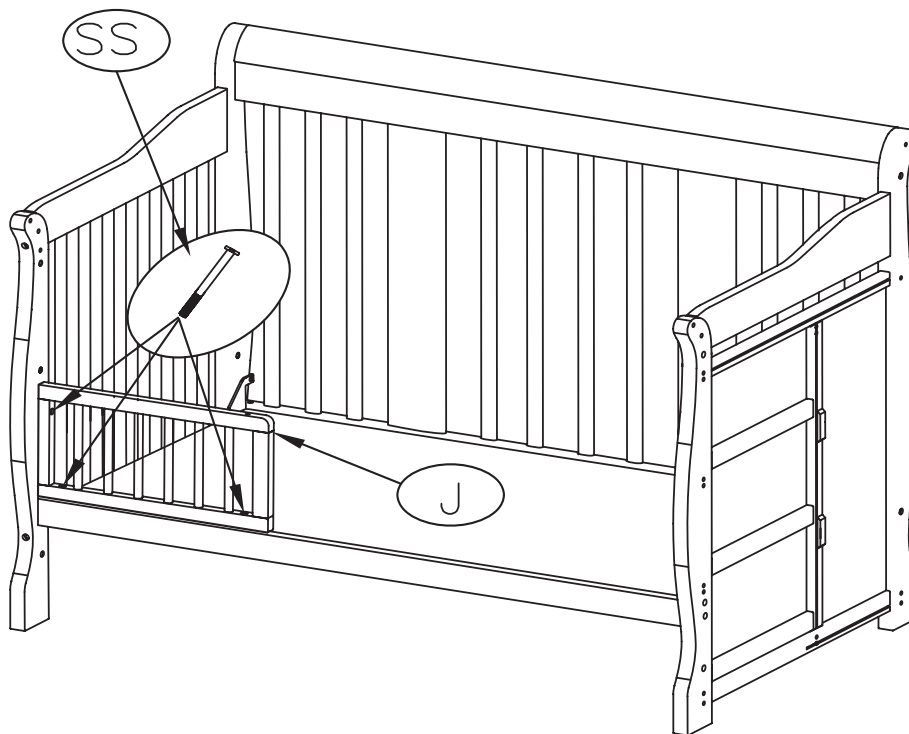
12 TO CONVERT CRIB INTO A TODDLER BED

TODDLER BED

! WARNING ENTRAPMENT/STRANGULATION HAZARD

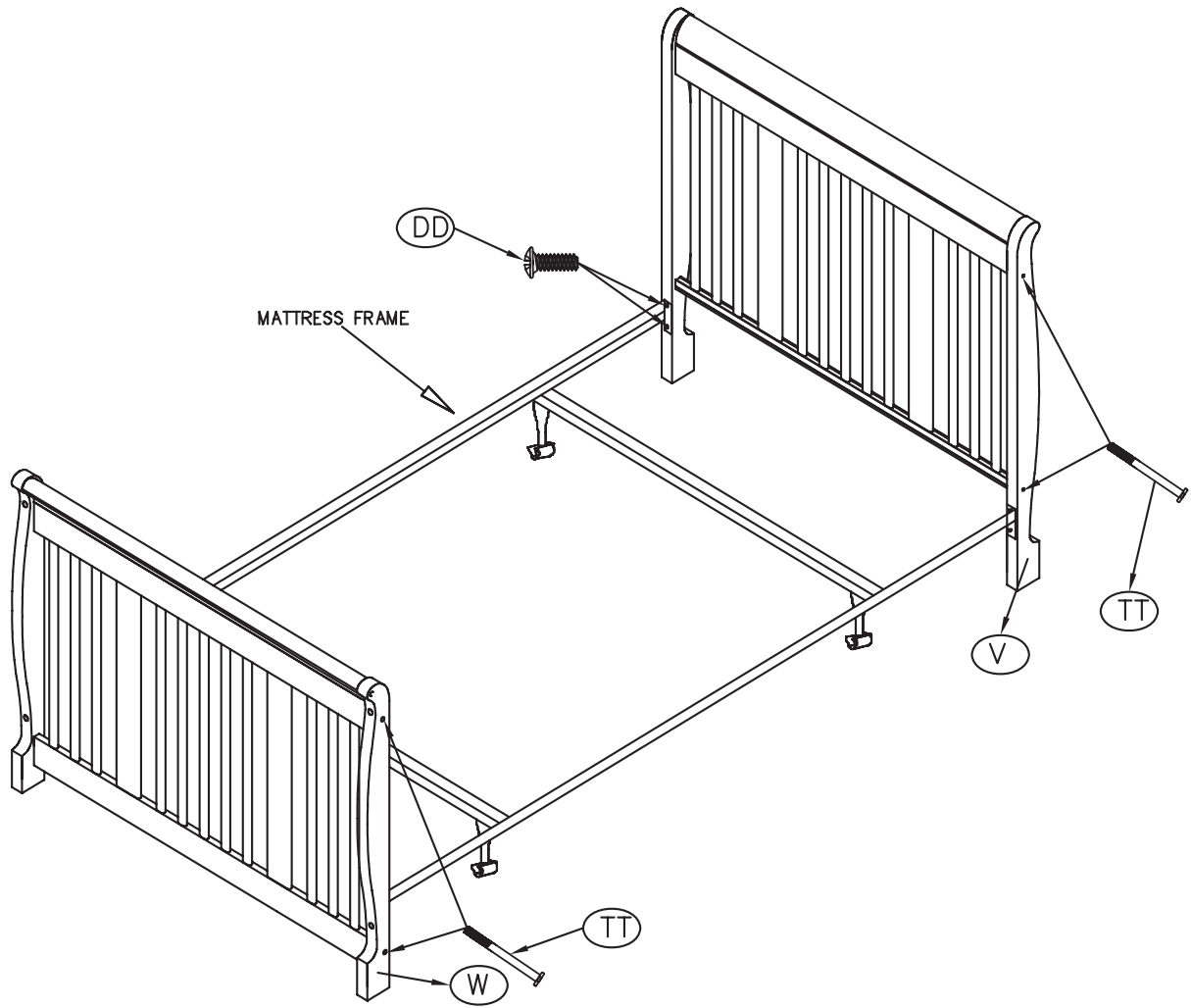
INFANTS HAVE DIED IN TODDLER BEDS FROM ENTRAPMENT AND STRANGULATION. FAILURE TO FOLLOW THESE WARNINGS AND THE ASSEMBLY INSTRUCTIONS COULD RESULT IN SERIOUS INJURY OR DEATH.

- * **Never** use bed with children under 15 months.
- * **Never** place bed near windows where cords from blinds or drapes may strangle a child.
- * **Do not** place items with a string, cord, or ribbon around a child's neck, such as hood strings or pacifier cords.
- * **Do not** suspend strings over a toddler bed for any reason.
- * The user's maximum weight shall not be greater than 50 lb (22.7kg).
- * The mattress intended for use on the bed shall be a full-size crib mattress having minimum dimensions of 51 1/8 in. (1310mm) in length, 27 1/4 in. (690mm) in width and 4 in. (100mm) in thickness.
- * Guardrails provided must be used to avoid the formation of a gap between the mattress and the bed that could cause an entrapment.



1. Position Safety Rail (J) as per diagram above.
2. Attach Safety Rail using three 1/4" x 1-3/4" Bolts (SS) provided.
3. Using the Allen Key, tighten bolts. DO NOT over-tighten.

13 TO CONVERT CRIB INTO FULL SIZE HEADBOARD



NOTE: Mattress frame has to be purchased separately.

1. Remove Safety Rail and Guard Rail.
2. Remove Mattress Base, Left Panel and Changer Unit.
3. Attach the Front & Rear legs (W&V) to the Footboard & Headboard using 1/4" x 2-1/2" Bolts (TT) provided.
4. The Back Rail becomes a full size Headboard.
5. Attach Mattress Frame to Back Rail using 1/4" x 3/4" Bolts (DD) provided.

STORAGE AND CARE DÉMONTAGE DU LIT DE BEBE

DO NOT remove any part that is attached with wood screws, The stationary side rail, mattress base can all be disassembled for storage. Simply review the assembly instructions for each and reverse the order to disassemble. Wipe all parts with a dampened clean cloth. DO NOT use abrasives. To convert to a double bed please follow the instructions in the double bed kit. (MUST BE PURCHASED SEPARATELY)

Démontez votre lit de bébé pour l'entreposer en lieu sûr. Ensuite, enlevez le côté fixe et le support de matelas. Enlevez le côté glissant en le montant le plus haut possible et en appuyant sur le levier sous le cote en T. NOTE: N'enlevez pas les pieces vissées, incluant les côtés en T et les griffes. Nettoyer le lit avec un chiffon humide sans savon. Pour convertir en un lit double, veuillez suivre les instructions incluses avec le kit de conversion pour lit double. (Vendu séparément)

LIMITED ONE YEAR WARRANTY / GARANTIE LIMITEE D'UN AN

Your product is warranted against defects in workmanship or material for ONE YEAR from the date of the original purchase. This warranty shall be limited to repairing or replacing any part of the product which, in the opinion of the company, shall be proved defective in materials or workmanship under normal use and service during the one year warranty period. During the one year warranty period, repair or replacement of parts shall be made at no charge. Date of purchase of the product must be established by production of your sales slip or other satisfactory evidence.

Votre produit a une garantie contre tout vice de matériau ou de fabrication pendant UN AN a compter de la date d'achat. Cette garantie est limitée a la réparation ou du remplacement de toute pièce qui, a l'avis de la société, s'avère défectueuse dans les conditions normales d'utilisation, en raison d'un vice de matériau ou de fabrication pendant la période de garantie d'un an. La société réparera ou remplacera gratuitement les pièces défectueuses. La date d'achat du produit doit être établie en présentant votre reçu de caisse ou autre preuve satisfaisante.

HOW TO GET PROMPT, EFFICIENT SERVICE / POUR UN SERVICE RAPIDE ET EFFICACE

Contact our customer service department. The telephone number and hours of operation are listed below. Please do not return the product to the store where it was originally purchased as they do not stock replacement parts. When calling our customer service department, make sure to mention the **model number and date of manufacture**. Both can be found on the end panel. It is company policy to respond to each request as quickly as possible.

Communiquer avec notre service à la clientèle. Le numéro de téléphonund on the e et les heures d'ouverture sont indiqués ci-dessous. Ne pas retourner le produit au marchand qui vous l'a vendu étant donné qu'il ne garde pas de pièces de rechange en magasin. S'assurer de mentionner le **numéro de modèle et la date de fabrication** quand on téléphone au service à la clientèle. Sur la tête en pied de lit. La société a pour règle de répondre le plus rapidement possible à chaque demande.

Customer Service Direct Telephone line: **1-877-274-0277** Fax **(604) 274-9727**

Hours of operation: 7:00 AM to 3:00 PM, Pacific Standard Time

e-mail: parts@storkcraft.com

Service a la clientèle - Téléphone: **1-877-274-0277** Telecopieur **(604) 274-9727**

Heures d'ouverture: 7h a 15 h 00 (Heure normale du Pacifique)

Distributed by / Distribué par

Stork Craft Manufacturing Inc.,
7433 Nelson Road, Richmond, B.C.
Canada V6W 1G3
Tel: 1 877 274 0277