



Two Bin Storage Cubby

MODEL NUMBERS:

09770 - Red 09771 - Blue
09772 - Espresso 97733 - White

**Assembly Instructions. Adult Assembly Required.
Read all instructions before use.**

**This manual is part of the product and
must be kept for future reference.**



VERSION CODE*:

4.0/0414/TG

** This number is needed if
replacement parts are requested*



NOTE: Two Bin models 09770, 09771, 09772, and 97733 can be stacked/used with Three Bin Models 09775, 09776, 09777, 09778, and 09779 and/or Shelf Cubby Units with Three Baskets Models 90801, 90811, 90821 (each sold separately).

**If you need product parts,
see below or Page 2!**

FOR REPLACEMENT PARTS:

Go to our web site: <http://www.badgerbasket.com/parts>
Or scan QR code at right with your smartphone





BEFORE YOU BEGIN ASSEMBLY:

Check all parts and hardware. If any part is missing or not satisfactory, please **DO NOT** call the store or return the product to them. Please go online to:

<http://www.badgerbasket.com/parts>

Most problems are resolved without you needing to leave home. When contacting us, please have this instruction manual, your product model number, and your Version Code ready.

Your Model Number is: See Cover Page

Your Version Code is: 4.0/0414/TG

USE AND CARE INSTRUCTIONS:

Wipe clean with a damp cloth and mild soap as needed. Dry thoroughly.



WARNING

ADULT ASSEMBLY REQUIRED
DUE TO THE PRESENCE OF SMALL PARTS AND SHARP
POINTS DURING ASSEMBLY, KEEP OUT OF REACH OF
CHILDREN UNTIL ASSEMBLY IS COMPLETE.



WARNING - FAILURE TO FOLLOW THESE WARNINGS AND THE INSTRUCTIONS COULD RESULT IN SERIOUS INJURY OR DEATH

READ ALL INSTRUCTIONS before use of this product.

Keep instructions for future use. Use only the parts and hardware provided by Badger Basket. Do not use the product if it is damaged, broken, or missing parts. **DO NOT** allow anyone to climb, sit on, stand on, or play on or inside of this product. It is not a seat, step stool, or ladder. **Periodically check** to make sure all the hardware remains tight. No product is a replacement for adult supervision.

Multiple Cubbies/Bins can be stacked on top of, or next to, each other to expand your storage capacity. When stacking multiple units (sold separately), **you MUST secure the units to each other (hardware included) for stability and safety.** If additional brackets and screws are needed, please contact Badger Basket.

If stacking more than 42 inches (107 cm) high, we recommend that you also secure the units to the wall (hardware not included).

Badger Basket Company, PO Box 227, Edgar, WI 54426-0227 • **Web:** www.badgerbasket.com

Toll-Free (Mon-Thurs 7:30 AM-3:30 PM CST): 1-800-236-1310

Phone: 715-352-2311 • **Fax:** 715-352-3163

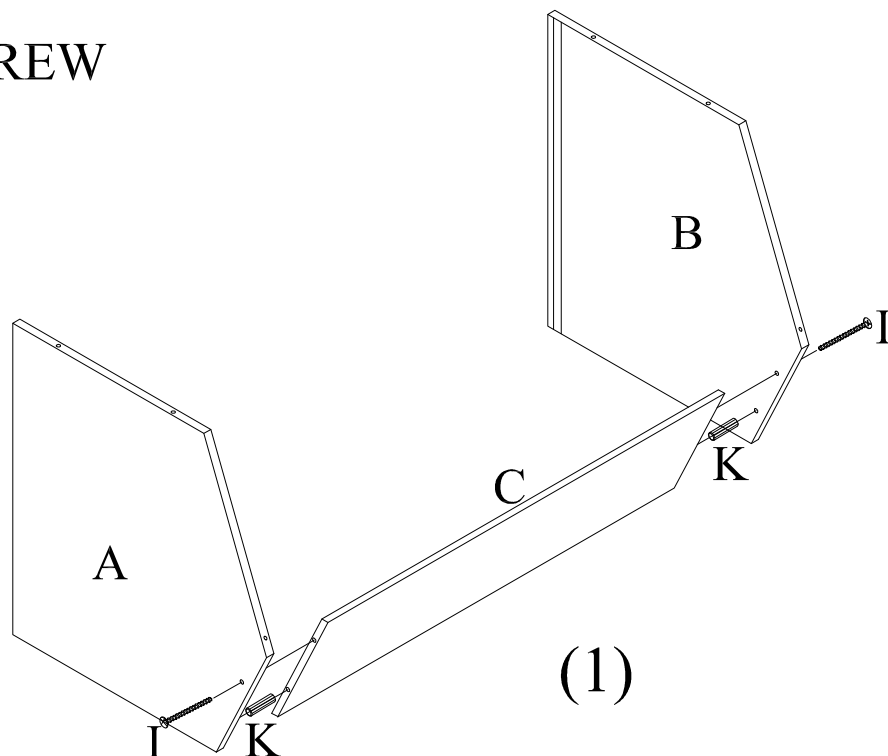
4.0/0414/TG

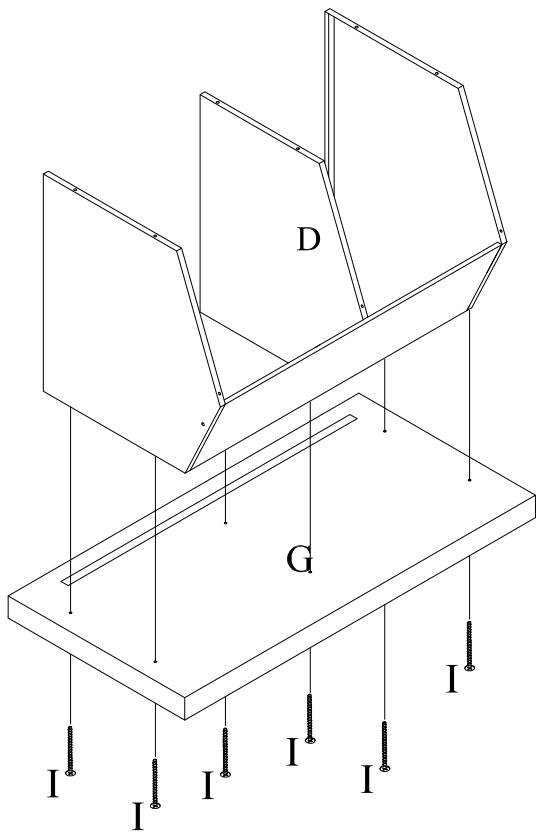
A	B	C	D	E	F	G	H	I	J	K	L	M	N	TOOL NEEDED
														PHILLIPS SCREW DRIVER
1PC	1PC	1PC	1PC	1PC	1PC	1PC	1PC	14PCS 5*50mm	3PCS 4*30mm	2PCS 6*30mm	4PCS 2*10mm	2PCS	11PCS	NOT INCLUDED

- A - LEFT
- B - RIGHT
- C - FRONT
- D - MIDDLE
- E - FRONT TRIM
- F - TOP
- G - BOTTOM
- H - BACK
- I - LARGE SCREW
- J - MEDIUM SCREW
- K - PEG
- L - SMALL SCREW

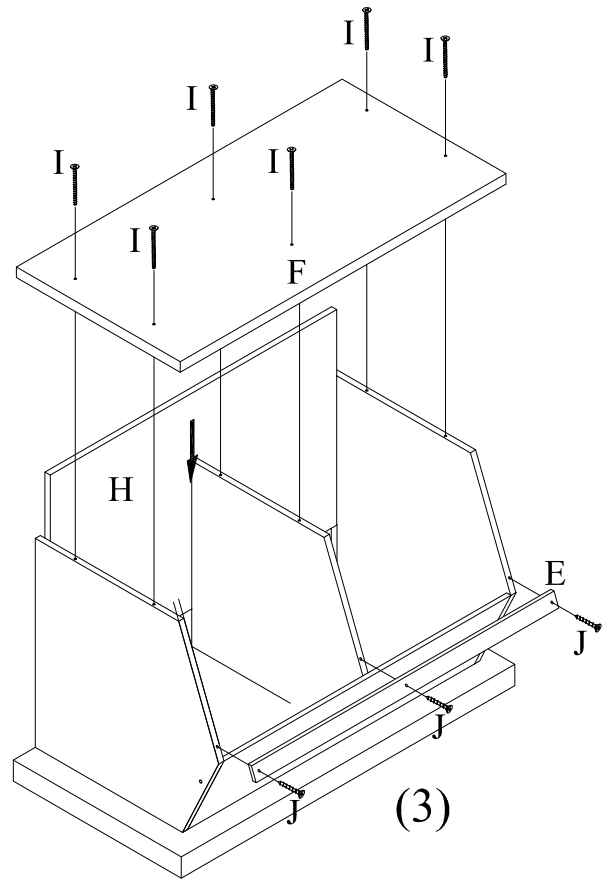
M-The bracket is optional and is used to attach your Two Bin Storage Cubby to another storage cubby if needed (cubbies are each sold separately). Refer to the safety information on Page 2 and also Diagram 5.

N - STICKERS (used to cover exposed hardware after assembly is complete)

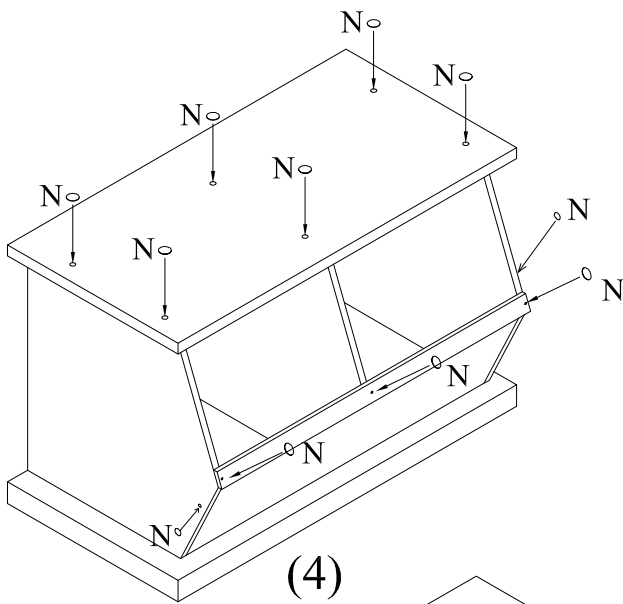




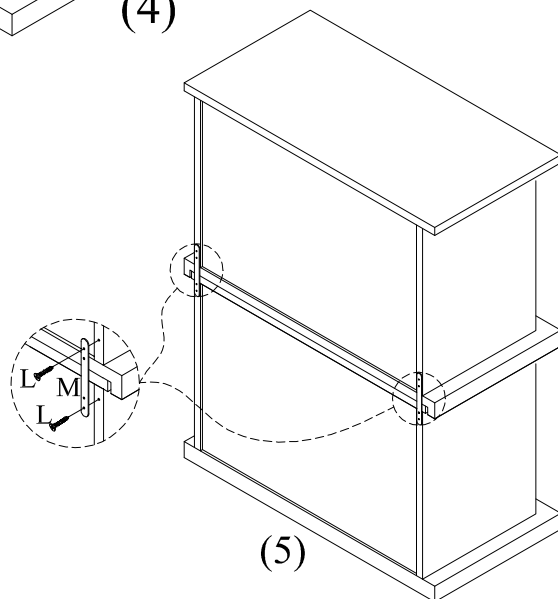
(2)



(3)



(4)



(5)

THIS STEP IS OPTIONAL AND IS USED IF YOU PURCHASED MULTIPLE BINS (EACH SOLD SEPARATELY) AND MUST ATTACH THEM TOGETHER. REFER TO THE SAFETY INFORMATION ON PAGE 2.