



BARREL TOP TOY CHEST

MODEL NUMBERS:

01330 - Natural

01335 - White

01340 - Cherry



Assembly Instructions.

Adult Assembly Required.

**Save these instructions
for future use.**

VERSION CODE:

4.0/0309/TG

Visit us online at www.badgerbasket.com

Toll-Free Customer Service: 1-800-236-1310 (Monday to Thursday 7:30 AM-4:30 PM CST)

Web: <http://www.badgerbasket.com/parts> • **E-mail:** parts1@badgerbasket.com

Mail: PO Box 227, Edgar, WI 54426-0227 • **Phone:** 715-352-2311 • **Fax:** 715-352-3163

BEFORE YOU BEGIN ASSEMBLY:



Check all parts and hardware. If anything is missing or not satisfactory, please DO NOT call the store or return the product to them. Contact Badger Basket. Most problems are resolved without you needing to leave home. When contacting us, please have this instruction manual, your product model number, and your product version code ready. For fastest service, go to <http://www.badgerbasket.com/parts>
Your Product Version Code is: 4.0/0309/TG

CARE INSTRUCTIONS:

To clean, wipe with a damp cloth and mild detergent as needed. Periodically check all of the hardware to make sure it remains tight.



WARNING - FAILURE TO FOLLOW THESE WARNINGS AND THE INSTRUCTIONS COULD RESULT IN SERIOUS INJURY OR DEATH

READ ALL INSTRUCTIONS before use of this product.

Keep instructions for future use. Use only the parts and hardware provided by Badger Basket. Do not use the product if it is damaged, broken, or missing parts. Hardware may include small parts. **Choking Hazard!** Keep unassembled parts out of the reach of small children. **DO NOT** allow anyone to climb, stand on, or play on or inside of this product. It is not a seat, step stool, or ladder.

Periodically check to make sure all the screws remain tight.

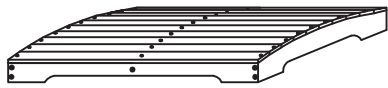
No product is a replacement for adult supervision.

SAFETY HINGE LID SUPPORT MUST BE INSTALLED PROPERLY.

If not installed or if installed improperly, the LID could free fall and slam shut unexpectedly causing serious injury. The SAFETY HINGE LID SUPPORT has been installed properly if the LID remains open when unattended.

No maintenance or lubrication of the SAFETY HINGE LID SUPPORT is required.

The lid will open to a full 90°, or can be opened to any position in between the fully closed and fully open positions.



AX1

LID



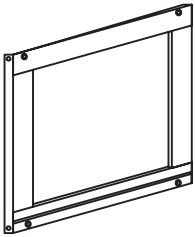
BX1

FRONT



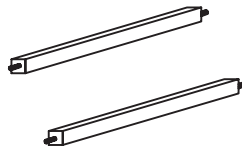
CX1

BACK



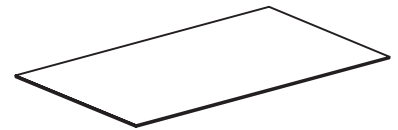
DX2

SIDE PANELS



EX2

BOTTOM RAILS



FX1

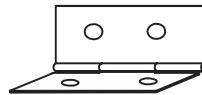
BOTTOM PANEL



GX12

Ø5X18 mm

SCREW



HX2

SMALL HINGE



IX8

Ø12X50 mm

BOLT AND BARREL NUT



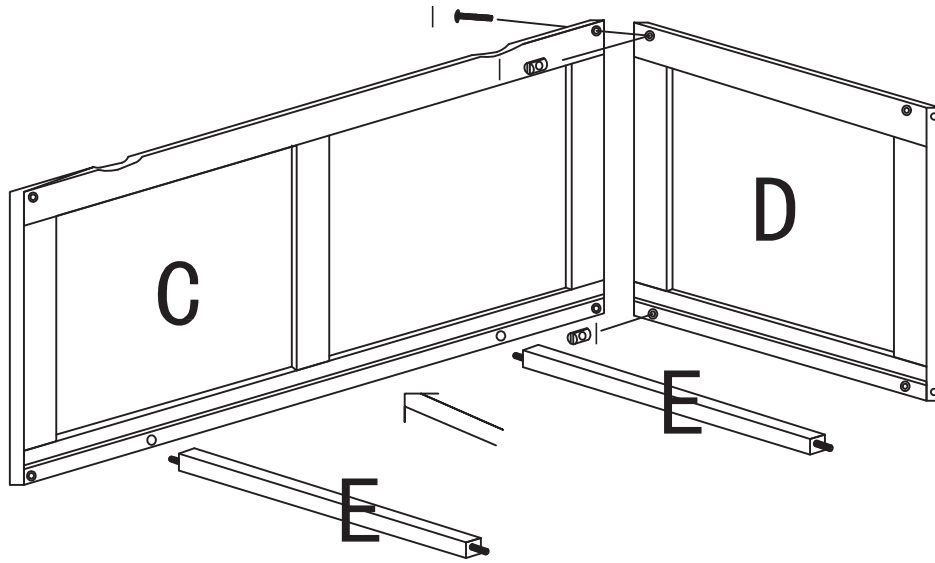
JX1

SAFETY HINGE LID SUPPORT



TOOL REQUIRED(not included)

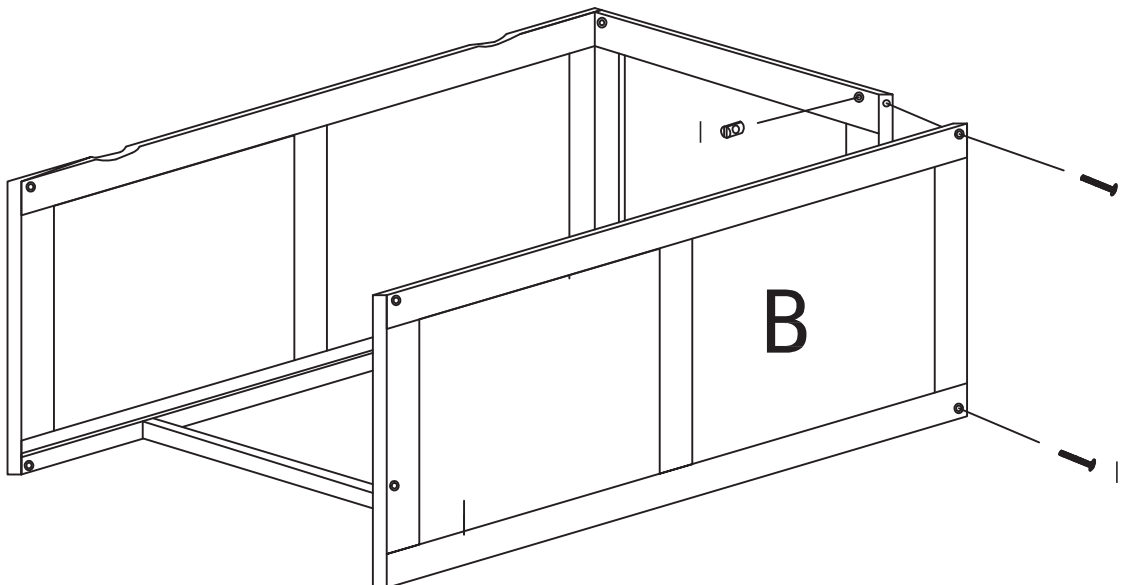
1



Ø12X50 mm

IX2

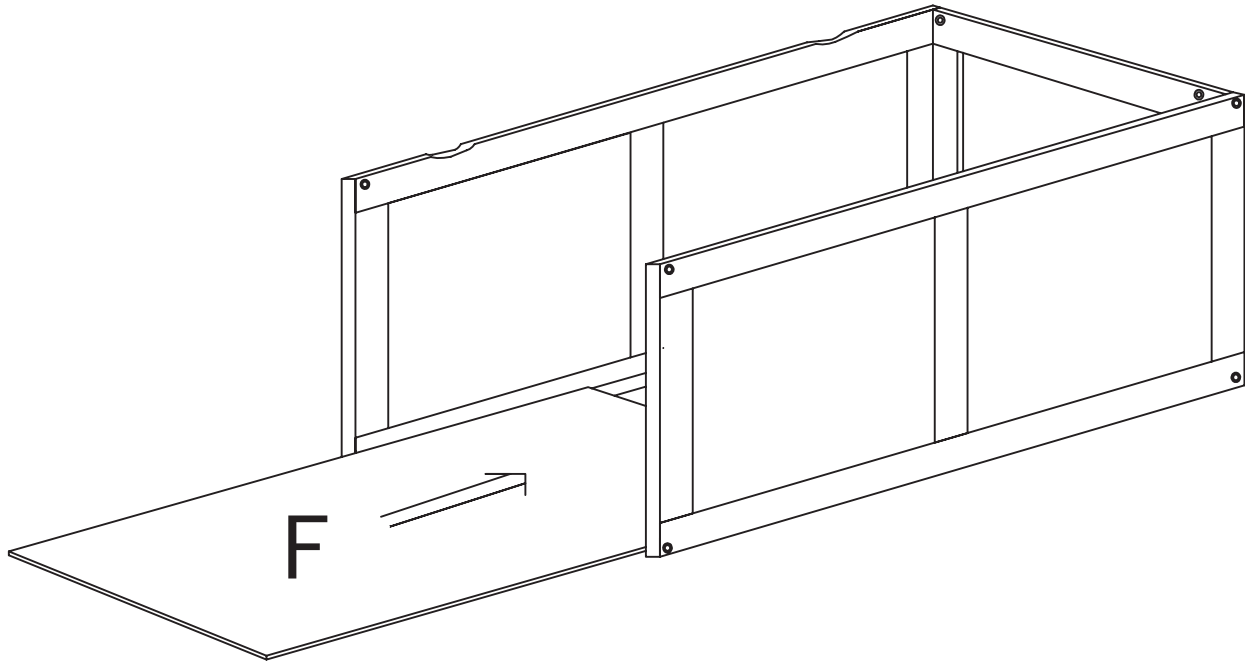
2



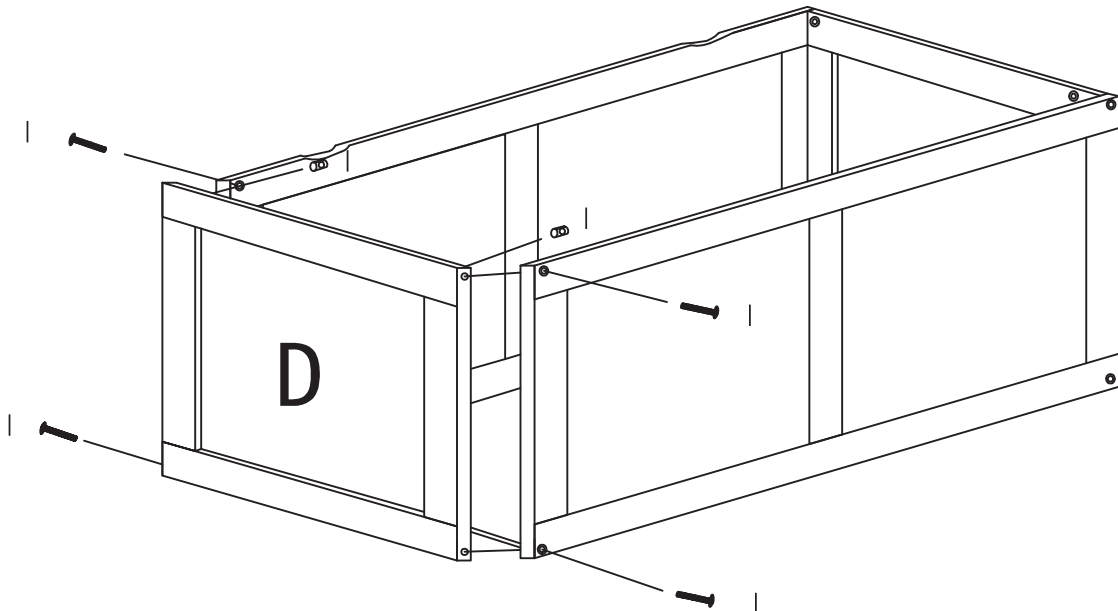
Ø12X50 mm

IX2

3



4



Ø12X50 mm

IX4

