

PCR Series Pre-configured Raceway



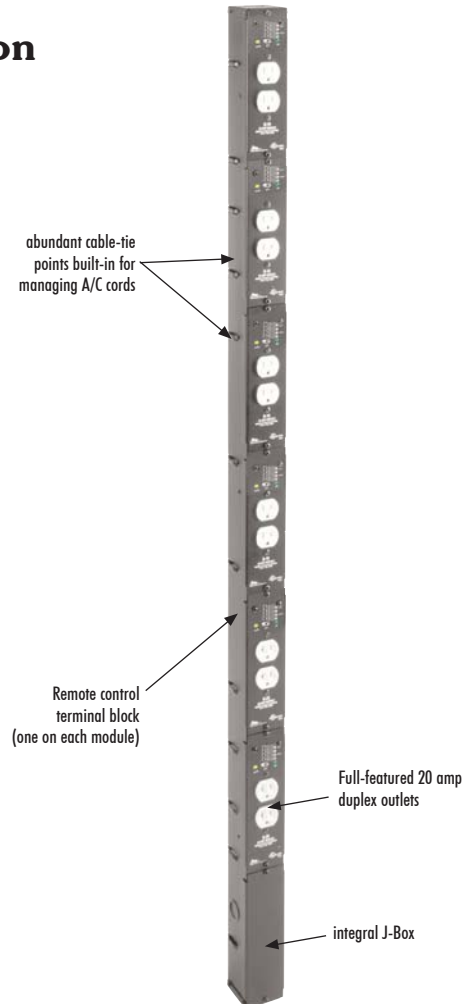

Middle Atlantic Products, Inc.

middleatlantic.com

Pre-configured controllable power distribution

Features

- Twelve 20 amp outlets (6 duplex)
- Single or dual circuit models available
- Can be independently controlled by USC-6R universal sequencing controller, MPR-SEQ Series sequencers or by any other sequencing controller that provides contact closure output
- Can be easily reconfigured for multiple circuits by utilizing additional tails and jumpers (See A&E spec sheet # 96-959 for additional power modules)
- Constructed of 18-gauge steel finished in durable black powder coat
- UL Listed in the US and Canada



Architects' and Engineers' Specifications

Pre-configured raceway shall be Middle Atlantic Products model # (PCR6, PCR-2X320). Raceway shall contain six 20 amp duplexes (12 outlets), Middle Atlantic Products model # RLM-20.

Pre-configured raceway shall operate using (one, two) circuit(s).

Pre-configured raceway shall include quick-clips and mounting hardware. Raceway shall be constructed of 18-gauge steel and finished in durable black powder coat. Pre-configured raceway shall be warranted to be free from defects in materials and workmanship under normal use and conditions for a period of 3 years. Raceway shall be UL Listed in the US and Canada.

OPTIONS

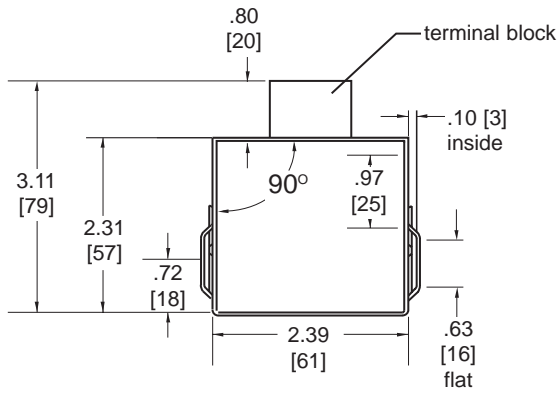
- Universal sequencing controller shall be Middle Atlantic Products model # USC-6R.
- MPR and PCR sequencers shall be Middle Atlantic Products model # MPR-SEQ-1C (stand-alone) and MPR-SEQ (raceway-mount).

customizable specification clips available at middleatlantic.com

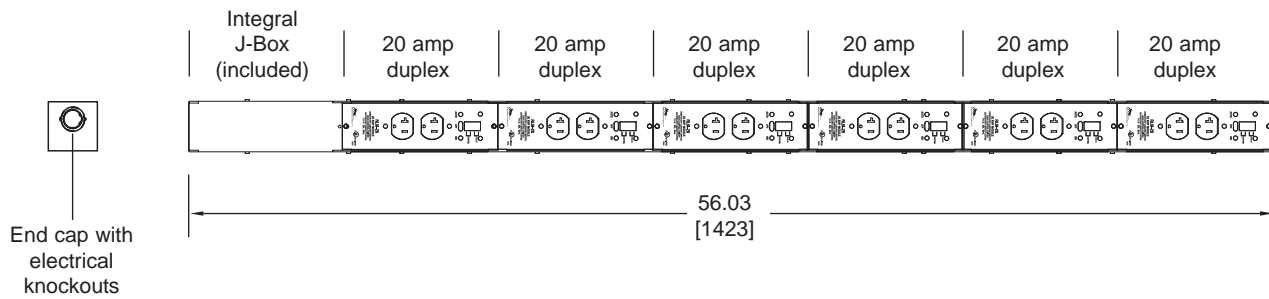
Engineered Mounting Solutions

US: New Jersey • California • Illinois • Voice: 973-839-1011 Fax: 973-839-1976 • middleatlantic.com
Canada: Ontario • British Columbia • Voice: 613-836-2501 Fax: 613-836-2690 • middleatlantic.ca

PCR Series basic dimensions



TOP VIEW

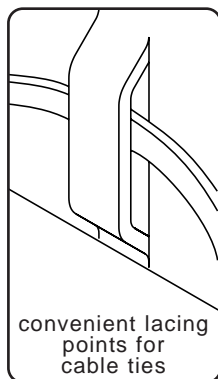


FRONT VIEW

Trade size electrical knockouts 1/2" & 3/4" (0.875 dia. x 1.125 dia.)



SIDE VIEW



Part #	# of Outlets	# of Circuits	Amperage
PCR6	12	1	20
PCR-2X320	12	2	20

ALL DIMENSIONS IN INCHES UNLESS OTHERWISE NOTED [ALL DIMENSIONS IN BRACKETS ARE IN MILLIMETERS]

