

# INSTRUCTION SHEET

## MDV SERIES

### MDV-CNR1

#### CORNER DESK WITH OVERBRIDGE



#### THANK YOU

Thank you for purchasing the MDV-CNR1 Corner Desk with Overbridge. Please read these instructions thoroughly before assembling this product.

#### PRODUCT FEATURES

- Attractive corner desk features a durable graphite top.
- Designed for installations in conjunction with the MultiDesk Video™ side bay rack.
- Configurable overbridge provides up to 4 rackspace mounting locations.



## TOOLS REQUIRED

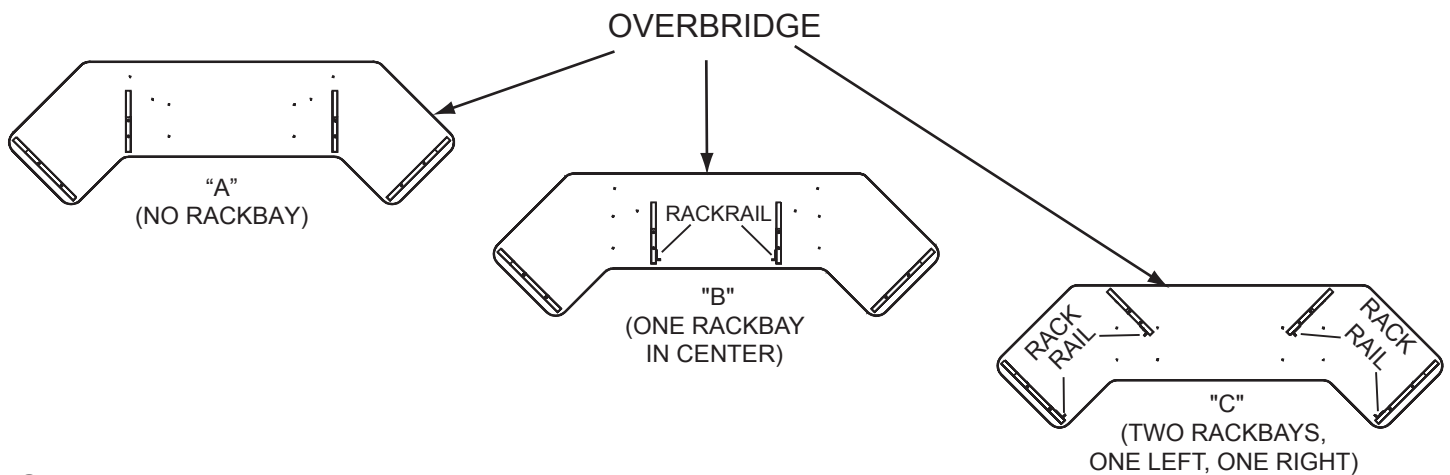
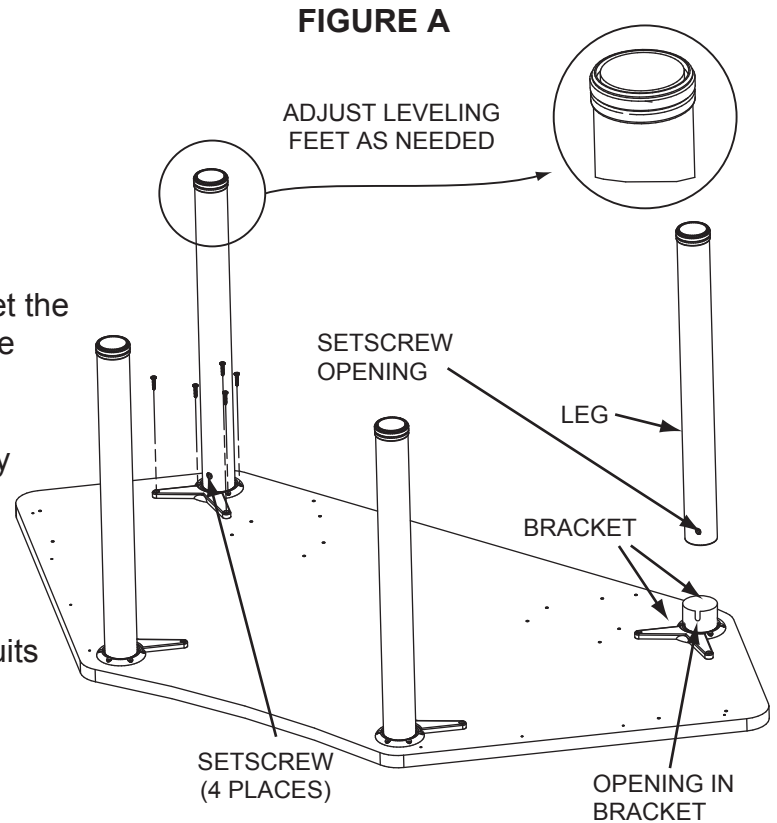
#2 Phillips Head Driver

## ASSEMBLY

- 1) Attach the brackets to the desk as shown using the large screws (7 screws per leg). **(FIGURE A)**
- 2) Insert the legs into the brackets, aligning the set screw opening in the leg with the opening in the bracket. **(FIGURE A)**
- 3) Tighten all brackets using the enclosed hex key by turning the set screw 3/4 turn clockwise.

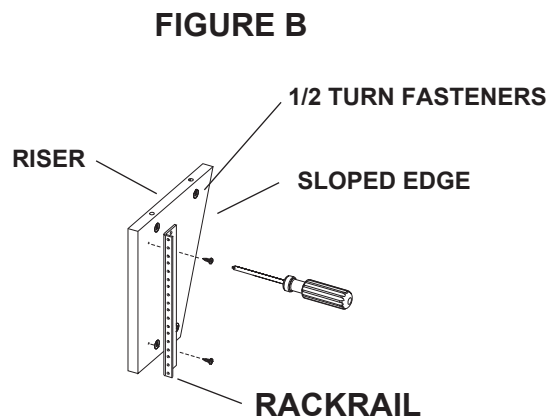
**NOTE:** Do not overtighten.

- 4) Select the overbridge configuration that best suits your application.

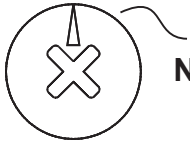


**NOTE:** Rackrail is a user installed option on "B" and "C" configurations.

- 5) If rackbay(s) are needed, attach the rackrail to the risers as shown using flat head screws. **(FIGURE B)**
- 6) Install the 1/2 turn fasteners into the riser (4) fasteners per riser. **(FIGURE B)**



## ASSEMBLY (Continued)



**NOTE:** The arrow points toward the stud.  
(Indicates unlocked position)

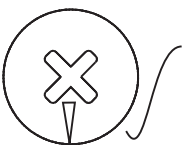
- 7) Install the studs into the desktop holes for the overbridge configuration desired. **(FIGURE C)**

**NOTE:** The black plastic hole plugs are provided to fill the open holes.

- 8) Install the studs in the overbridge bottom for the desired overbridge configuration. **(FIGURE D)**

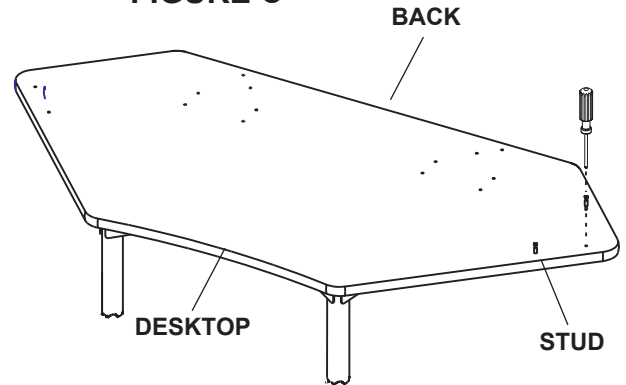
- 9) Install the four risers to the desktop studs with the sloped edge of the risers facing toward the back of the desktop, then install the overbridge bottom studs to the risers. **(FIGURE E)**

- 10) Tighten all 1/2 turn fasteners to the lock position. **(FIGURE F)**

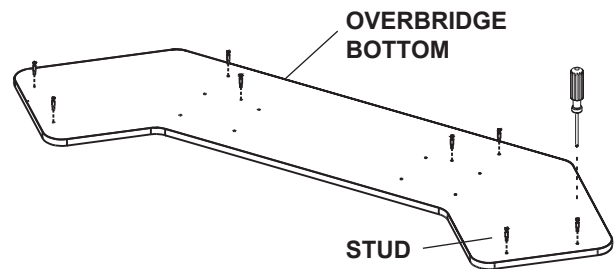


**NOTE:** The arrow points to the lock position.

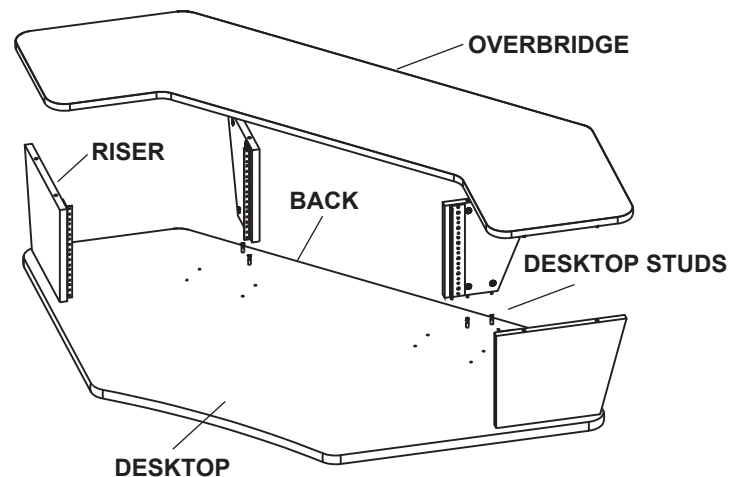
**FIGURE C**



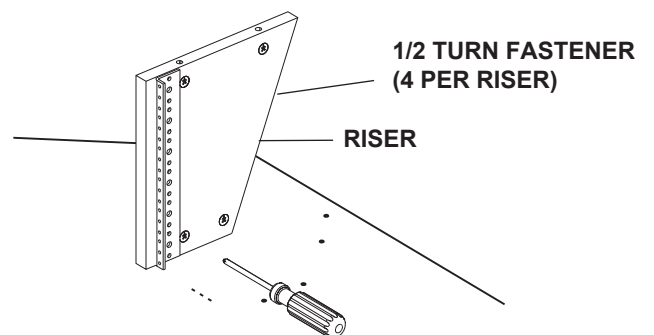
**FIGURE D**



**FIGURE E**



**FIGURE F**



## **WARRANTY**

Middle Atlantic Products (the "Company") warrants the MDV-CNR1 to be free from defects in material or workmanship under normal use and conditions for a period of (7) years from the date of shipment by the Company.

The Company's entire liability to the purchaser, and the purchaser's (or any other party's) sole and exclusive remedy, under this warranty shall be limited, at the Company's option, to either (a) return of and refund of the price paid for, or (b) repair or replacement at the Company's factory of the products purchased, or any part or parts thereof, which the Company has determined to be defective after inspection thereof at the Company's factory.

This warranty does not cover damage due to acts of God, accident, misuse, abuse or negligence by parties other than the Company, or any modification or alteration of the products. In addition, this warranty does not cover damage due to improper handling, assembly, installation or maintenance.

THIS WARRANTY IS IN LIEU OF ALL OTHER WARRANTIES OF ANY KIND, EITHER EXPRESSED OR IMPLIED, INCLUDING, BUT NOT LIMITED TO, IMPLIED WARRANTIES OF MERCHANTABILITY AND FITNESS FOR A PARTICULAR PURPOSE.

TO THE MAXIMUM EXTENT PERMITTED BY APPLICABLE LAW, IN NO EVENT SHALL THE COMPANY BE LIABLE FOR ANY SPECIAL, INCIDENTAL, INDIRECT, OR CONSEQUENTIAL DAMAGES WHATSOEVER (INCLUDING, WITHOUT LIMITATION, DAMAGES FOR LOSS OF BUSINESS PROFITS, BUSINESS INTERRUPTION OR ANY OTHER PECUNIARY LOSS) ARISING OUT OF THE USE OF THE PRODUCTS PURCHASED, EVEN IF THE COMPANY HAS BEEN ADVISED OF THE POSSIBILITY OF SUCH DAMAGES. THE COMPANY'S LIABILITY TO THE PURCHASER (OR ANY OTHER PARTY) HEREUNDER, IF ANY, SHALL IN NO EVENT EXCEED THE PURCHASE PRICE OF THE PRODUCTS PAID TO THE COMPANY.

### **Corporate Headquarters**

Corporate Voice 973-839-1011 - Fax 973-839-1976  
International Voice +1 973-839-8821 - Fax +1 973-839-4982  
middleatlantic.com - info@middleatlantic.com

### **Middle Atlantic Canada**

Voice 613-836-2501 - Fax 613-836-2690  
middleatlantic.ca - customerservicecanada@middleatlantic.ca

### **Factory Distribution**

USA: NJ - CA - IL Canada: ON - BC

**At Middle Atlantic Products we are always listening. Your comments are welcome.**

**Middle Atlantic Products is an ISO 9001 and ISO 14001 Registered Company.**