


Middle Atlantic Products

EXCEPTIONAL SUPPORT & PROTECTION™

30 Amp MPR Series Power Modules



30 Amp MPR Series Power Modules for components requiring 30 Amp power

Features

- Integral arc suppression for increased contact life and (2) 30 amp relays for intrinsic reliability
- "Soft" start functionality prevents high in-rush current
- 1/2" and 3/4" knockouts located on sides and bottom for wiring to power source
- Capable of being controlled locally or remotely
- ETL Listed in the US and Canada
- Mounts in rack or on any surface
- Durable black powder coat finish



RLM30-L530-1


 RLM30-L530-1
(top view)

Architects' and Engineers' Specifications

30 Amp MPR power modules shall be Middle Atlantic Products model # RLM30-L530-1 (accepts 30 Amp twistlock plug) / RLM30-L520-1 (accepts 20 Amp twistlock plug). Modules shall be capable of being controlled locally or remotely by using any controller that sends 12-volt DC or contact closure outputs. 30 amp power modules shall mount in rack or on any surface. Modules shall incorporate "soft" start functionality to prevent high in-rush current, feature integral arc suppression for increased contact life and dual 30 amp relays for intrinsic reliability. 1/2" and 3/4" knockouts shall be located on the sides and bottom for wiring to power source. RLM-L530-1 and RLM-L520-1 shall be RoHS EU Directive 2002/95/EC compliant. 30 Amp power module shall be GREENGUARD Indoor Air Quality Certified for Children and Schools. 30 Amp power module shall be manufactured by an ISO 9001 registered company. 30 Amp power module shall be ETL Listed to UL standard 1419 in the US and to CAN/CSA C22.2 #1 in Canada. 30 Amp power module shall be warranted to be free from defects in materials and workmanship for a period of 3 years.

OPTIONS

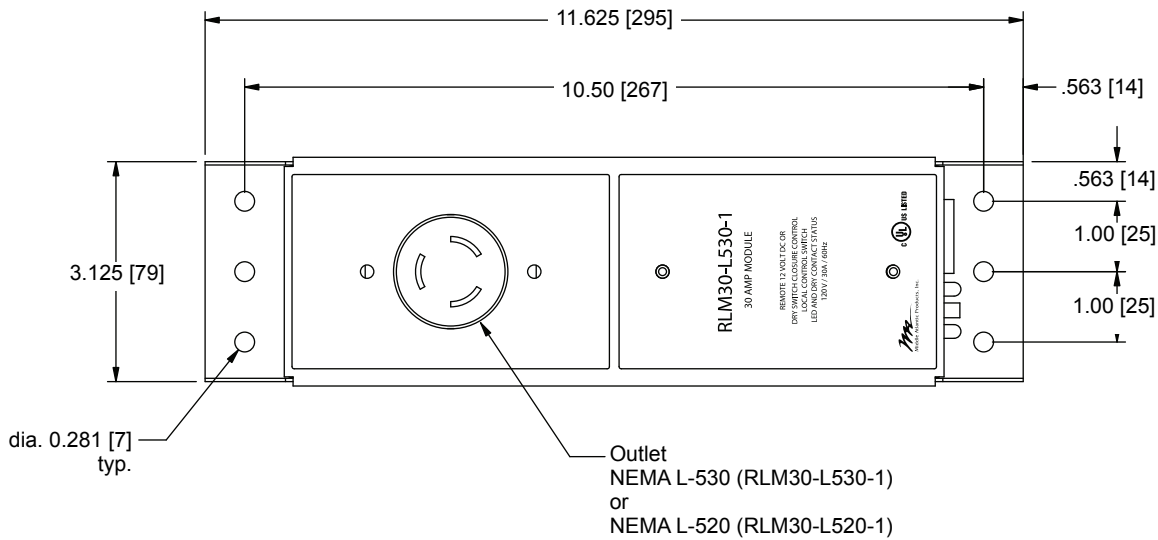
- Module can be controlled remotely using Middle Atlantic Products Universal Sequencing Controller model #USC-6R

CUSTOMIZABLE SPECIFICATION CLIPS AVAILABLE AT MIDDLEATLANTIC.COM

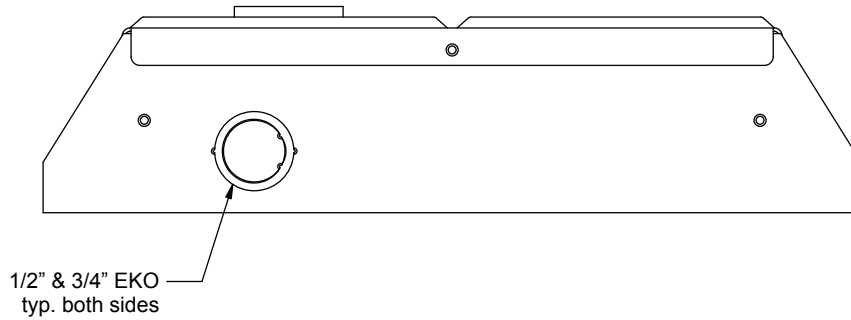
30 Amp MPR Power Series Modules basic dimensions

All dimensions in inches unless otherwise noted [All bracketed dimensions are in millimeters]

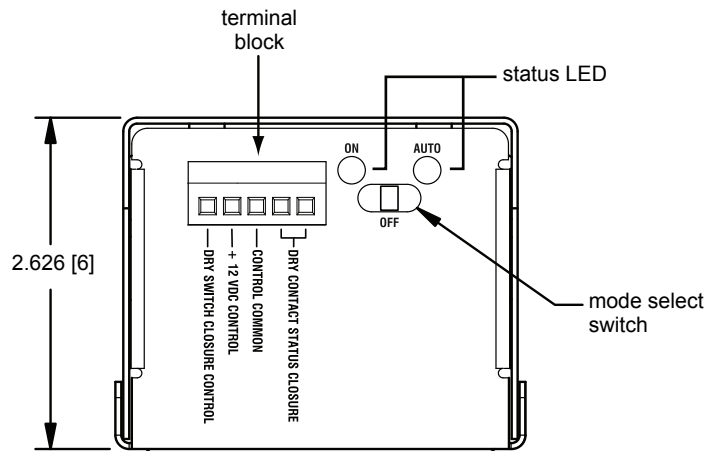
FRONT VIEW



SIDE VIEW



TOP VIEW



BOTTOM VIEW

