

# INSTALLATION INSTRUCTIONS FOR 8810-65

## For Wall Mount Fixture

**WARNING! SHUT POWER OFF AT FUSE OR CIRCUIT BREAKER .**

### MOUNTING THE FIXTURE

#### Installation (see fig.1)

1. Shut off the power at the circuit breaker and remove old fixture, including the crossbar.
2. Attach the crossbar to the junction box using two junction box screw. The side of the crossbar marked "GND" must face out.
3. Thread the nipple part way into the center hole of the crossbar and secure with hex nut.
4. Follow wiring instructions carefully (see fig.2)
5. Place the fixture over the nipple then tighten it with cap nut (B).
6. Attach the crystal (C) to the fixture body (A).
7. Install the light bulbs in accordance with the fixture's **specifications**.  
**DO NOT EXCEED THE MAXIMUM WATTAGE RATING!**

#### Wiring (see fig.2)

1. Connect the electrical wires as follows. Connect the black wire from the fixture to the black house (hot) Wire. Connect the white wire from the fixture to the white (neutral) house wire. Make sure all wire nuts are secured. You may wrap the connections with electrical tape. If your outlet box has a ground wire (green or bare copper) connect fixture's ground wire to it. Otherwise attach the bare copper fixture wire to the green ground screw on the crossbar.
2. Tuck the wire connections neatly into the wall junction box.

Fig.1

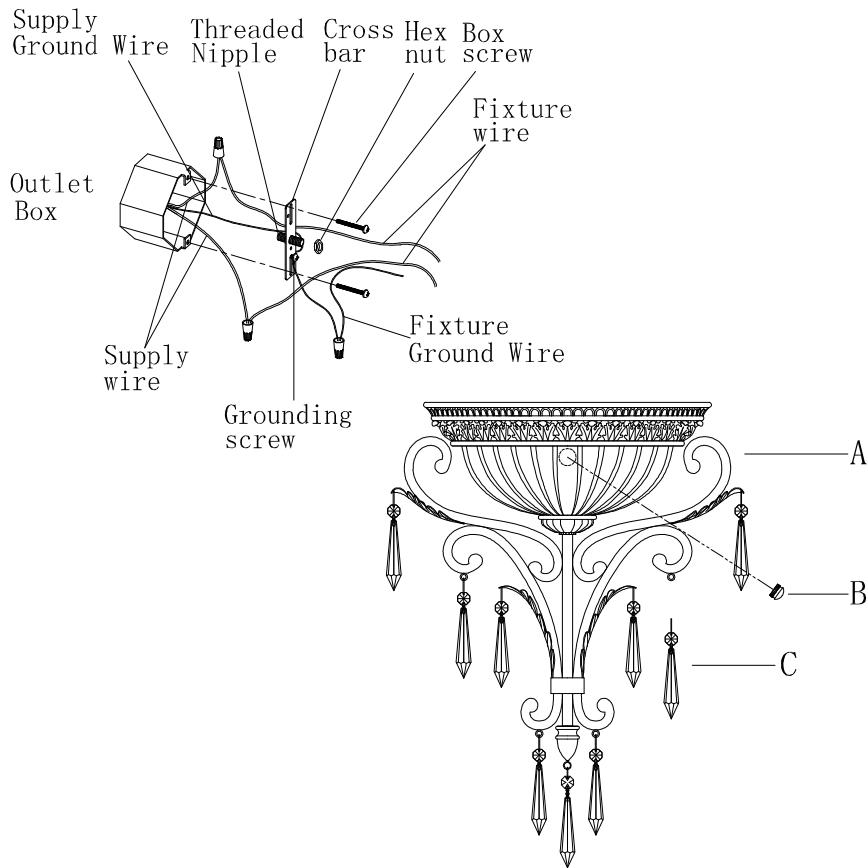


Fig.2

