

INSTALLATION INSTRUCTION FOR 8892-65

For Chandelier Fixtures

WARNING! SHUT POWER OFF AT FUSE OR CIRCUIT BREAKER .

ASSEMBLING THE FIXTURE (Fig.2)

1. Install the light bulbs in accordance with the fixture specifications **NOTE: DO NOT EXCEED THE SPECIFIED WATTAGE!**
2. Thread the nipple (D) into the hickey on bottom of the fixture body (A) and lock it with the hex nut (C).
3. Raise the glass shade (E) to bottom of lower fixture assembly, aligning hole with nipple threads and then lock it with the ring (F).
4. Raise the cap (G), the iron frame (H) and the finial base (I) to bottom of the glass shade (E), aligning hole with nipple (D) threads. Then lock them securely with the finial (J).
5. Attach the crystal (B) to the fixture body (A), the iron frame (H) and the finial (J).

HANGING THE FIXTURE (Fig.1)

1. Shut off the power at the circuit breaker and remove old fixture from ceiling, including the old crossbar.
2. Carefully unpack new fixture and lay all the parts on a clear surface.
3. Thread nipple (C) into loop (F) until snug.
4. Thread other end of nipple (C) with loop attached into crossbar (D) until snug.
5. Place lock washer (B) over end of nipple protruding through crossbar and thread hex nut (A) onto nipple until tight.
6. Take this crossbar assembly and mount to ceiling junction box with junction box screws (E). Tighten screws securely with screwdriver.
7. Open one end link of the chain provided and connect to the fixture loop (K). Close the link.
8. Lace the fixture wires through the chain.
9. Slip loop collar (J) over the chain, then do the same with the canopy (G) and the iron frame (H).
10. Open the other end link of the chain and hang the fixture on the loop (F) at the ceiling. Close the link.
11. Feed the fixture wires through the loop (F) and nipple (C) and pull until taut.
12. Slide canopy (G) and the iron frame (H) up flush to ceiling, secure using loop (J).
13. Attach the crystal (I) to the small ring of the iron frame (H).

CONNECTING THE WIRES (Fig.3)

1. Take the black wire from the ceiling junction box and the smooth wire leg from the fixture and twist bare ends together. Twist wire connector onto end of wire until snug.
2. Repeat same process with white junction box wire and ribbed wire leg of fixture wire. **NOTE:** Twist wires together in the same direction you twist the wire connector onto wires.
3. If your junction box has a grounding wire (green or bare copper), attach this wire and the bare copper wire from the fixture together as step 1. If junction box has no ground wire, attach the bare copper fixture wire to the green ground screw on the crossbar.
4. Tuck these wire connections neatly into the ceiling outlet box and then raise the canopy (G) all the way to the ceiling. Raise the loop (H) and thread onto ceiling loop protruding through canopy

Your installation is now complete. Return power to the junction box and test the fixture.

Fig.1

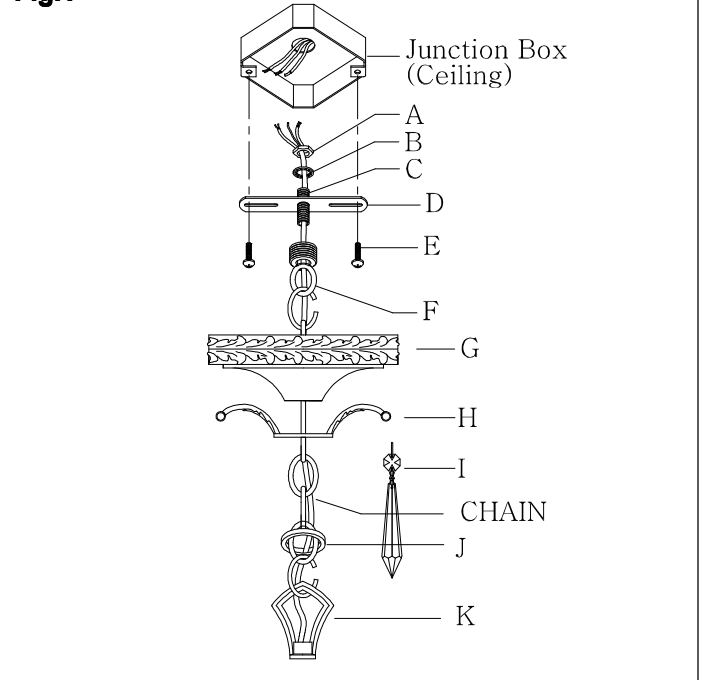


Fig.2

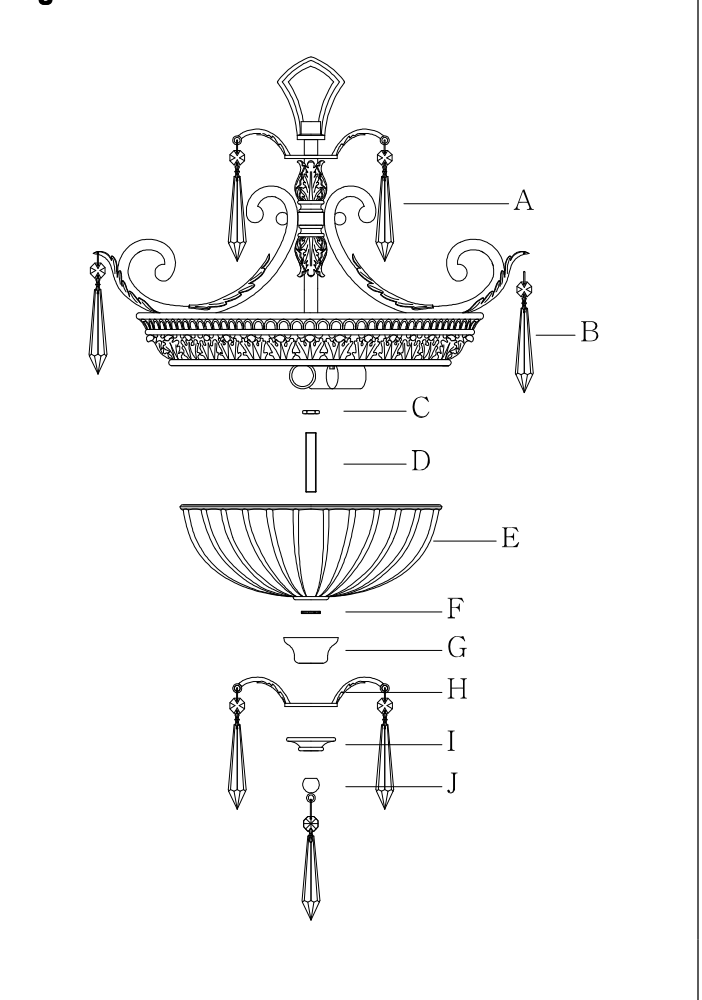





Fig.3

<p>FIXTURE WIRES Black or Smooth</p>  <p>HOUSE WIRES Black (Hot)</p>	<p>FIXTURE WIRES White or Ribbed</p>  <p>HOUSE WIRES White (Neutral)</p>	<p>FIXTURE WIRES Bare Copper (Ground)</p>  <p>HOUSE WIRES Green or Bare Copper (Ground)</p>
---	---	--



Listed

Livex Lighting

INSTALLATION INSTRUCTIONS FOR 8892-65
For Semi Flush Mount Ceiling Fixtures

WARNING! SHUT POWER OFF AT FUSE OR CIRCUIT BREAKER .

ASSEMBLING THE FIXTURE (Fig.1).

1. Shut off the power at the circuit breaker box. Remove old fixture and all hardware from Junction Box.
2. Carefully unpack your new fixture and lay out all the parts on a clear area. Take care not to lose any small parts necessary for installation.
3. Thread the two Studs (A) about 1/4" into the pre-drilled holes in the Crossbar spaced the same distance apart as the holes in the canopy (D).
4. Attach the Crossbar to the Junction Box with the two Junction Box Screws as shown. The side of the Crossbar marked "GND" must face out.
5. While holding the column assembly towards the ceiling, connect the electrical wires as Shown in Fig.2, making sure that all wire nuts are secured. You may have to wrap the connections with electrical tape. If your outlet has a ground wire (green or bare copper), connect the fixture ground wire to it. Otherwise connect fixture's ground wire directly to the Crossbar with the green screw provided. After wires are connected, tuck them carefully inside the Junction Box
6. Removed the loop (P) and the tube (Q)(Fig.3). Attach the washer (C) and the canopy (D) to top of the fixture body (F) and lock it with the hex nut (B) until tight.
7. Install the light bulbs in accordance with the fixture specifications **NOTE: DO NOT EXCEED THE SPECIFIED WATTAGE!**
8. Put the lamp canopy (D) onto the junction box, aligning screws on Crossbar with mounting holes in canopy and lock it securely with the ball (E).
9. Thread the nipple (I) into the hickey on bottom of the fixture body (F) and lock it with the hex nut (H).
10. Raise the glass shade (J) to bottom of lower fixture assembly, aligning hole with nipple threads and then lock it with the ring (K).
11. Raise the cap (L), the iron frame (M) and the finial base (N) to bottom of the glass shade (J), aligning hole with nipple (I) threads. Then lock them securely with the finial (O).
12. Attach the crystal (G) to the fixture body (F), the iron frame (M) and the finial (O).

Your installation is now complete. Return power to the junction box and test the fixture.

Fig.1

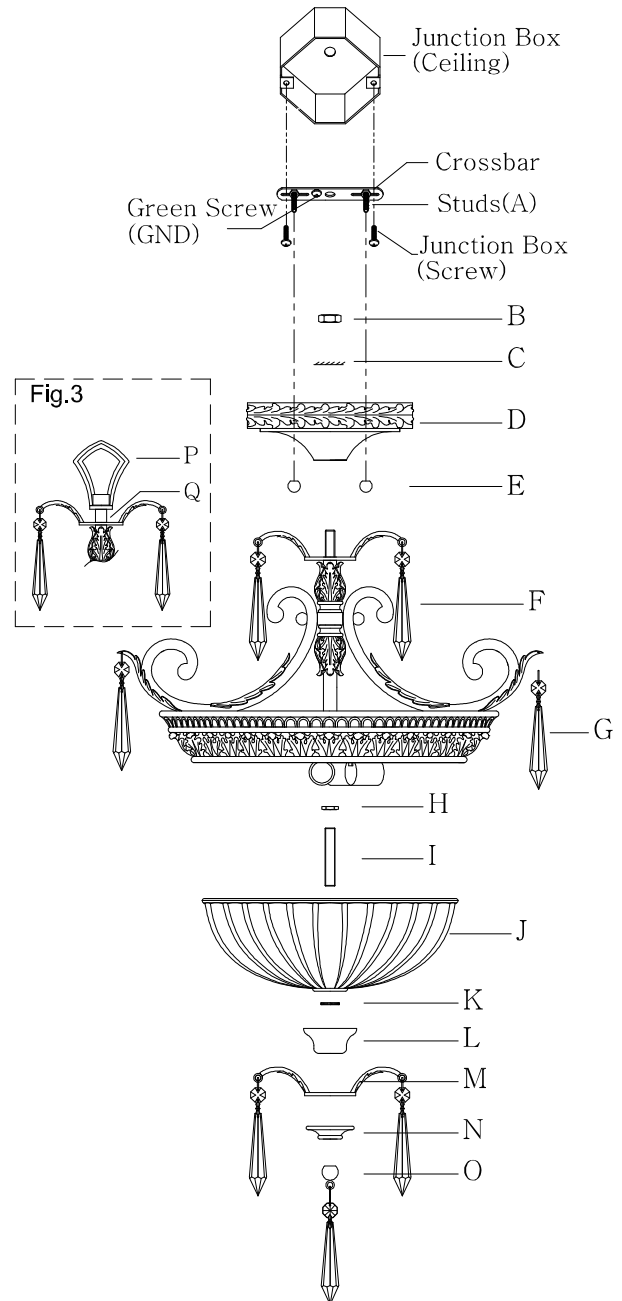


Fig.2

