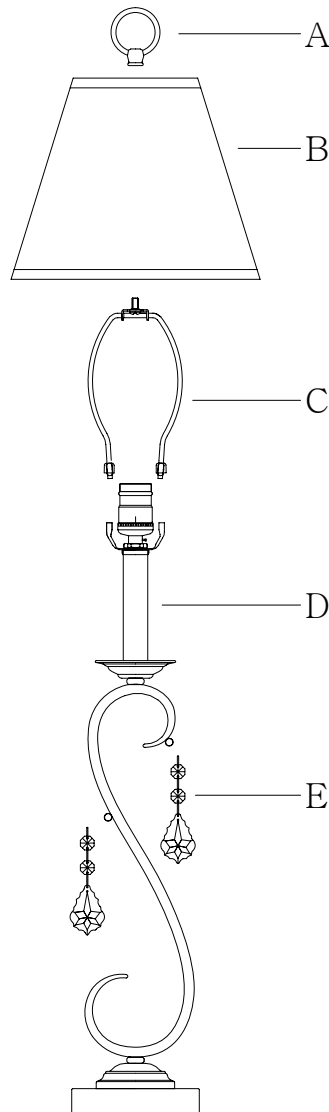


ASSEMBLING & INSTALLATION INSTRUCTIONS FOR PRODUCT # 6441 FOR ITEM#: 6441



WARNING

- * Risk of shock, do not plug the unit before assembly.
- * Do not exceed the maximum wattage rating. (Max.150W)
- * Before you light it up, please follow the instruction manual step by step.

INSTALLATION

1. Slide the two bushings on the harp (C) up to expose the flat ends at the bottom.
2. Insert the flat ends of the harp (C) into saddle of the fixture body(D).Then slide the two bushings down to secure the harp (C) into saddle of the fixture body(D).
3. Screw in a light bulb (Type A). (Bulb is not included)
4. Place the center ring of the shade (B) over the threaded end of the harp (C). Use the loop(A) to secure the shade (B) onto the harp (C).
5. Adjust the shade until it is level horizontally. Attach the crystal ball(E) to bottom ring of the fixture body(D).

IMPORTANT SAFETY INSTRUCTIONS

1. This portable lamp has a polarized plug (one blade is wider than the other). As a safety feature to reduce the risk of electric shock. This plug will fit in a polarized outlet only one way. If the plug does not fit fully in the outlet, reverse the plug. If it still does not fit, contact a qualified electrician. Never use with an extension cord unless the plug can be fully inserted. Do not change or alter the plug.

2. This lamp uses a 3-way switch, please use a medium base, 3-way light bulb (50W/100W/150W).