

# ASSEMBLING & INSTALLATION INSTRUCTIONS FOR PRODUCT# 1904 1903 For Wall Mount Light Fixture

**WARNING! SHUT POWER OFF AT FUSE OR CIRCUIT BREAKER .**

## MOUNTING THE FIXTURE

### Installation (see fig.1)

1. Disconnect power at main electrical panel before installation.
2. Attach the mounting plate to the junction box using two junction box screws. The side of the mounting plate marked "GND" must face out.
3. Guide fixture wires through hole in center of mounting plate.
4. Follow wiring instructions carefully (see fig.2).
5. Install the light bulbs (**D, Candela bulb, 60W, NO INCLUDED**) in accordance with the fixture's specifications. **NOTE: DO NOT EXCEED THE MAXIMUM WATTAGE RATING!**
6. Insert the glass shade (A) to the ring of fixture body (B). Attach the small square shim plate to the other end of fixture body(B), then lock it securely with the screw.
7. Attach the fixture body (B) over the mounting plate, aligning the backplate holes with mounting screw, then lock it securely with ball nuts(C).
8. **This lamp can be vertically installed, however, the square tube of the lamp body has a hook at one end must be down. Follow wiring instructions carefully. (see fig.2 and fig.1.1)**

### Wiring (see fig.2)

1. Connect the electrical wires as follows. Connect the Black wire from the fixture to the black house (hot) Wire. Connect the white wire from the fixture to the white (neutral) house wire. Make sure all wire nuts are secured. You may wrap the connections with electrical tape. If your outlet box has a ground wire (green or bare copper) connect fixture's ground wire to it. Otherwise attach the bare copper fixture wire to the green ground screw on the mounting plate.
2. Tuck the wire connections neatly into the wall junction box.

Fig.1

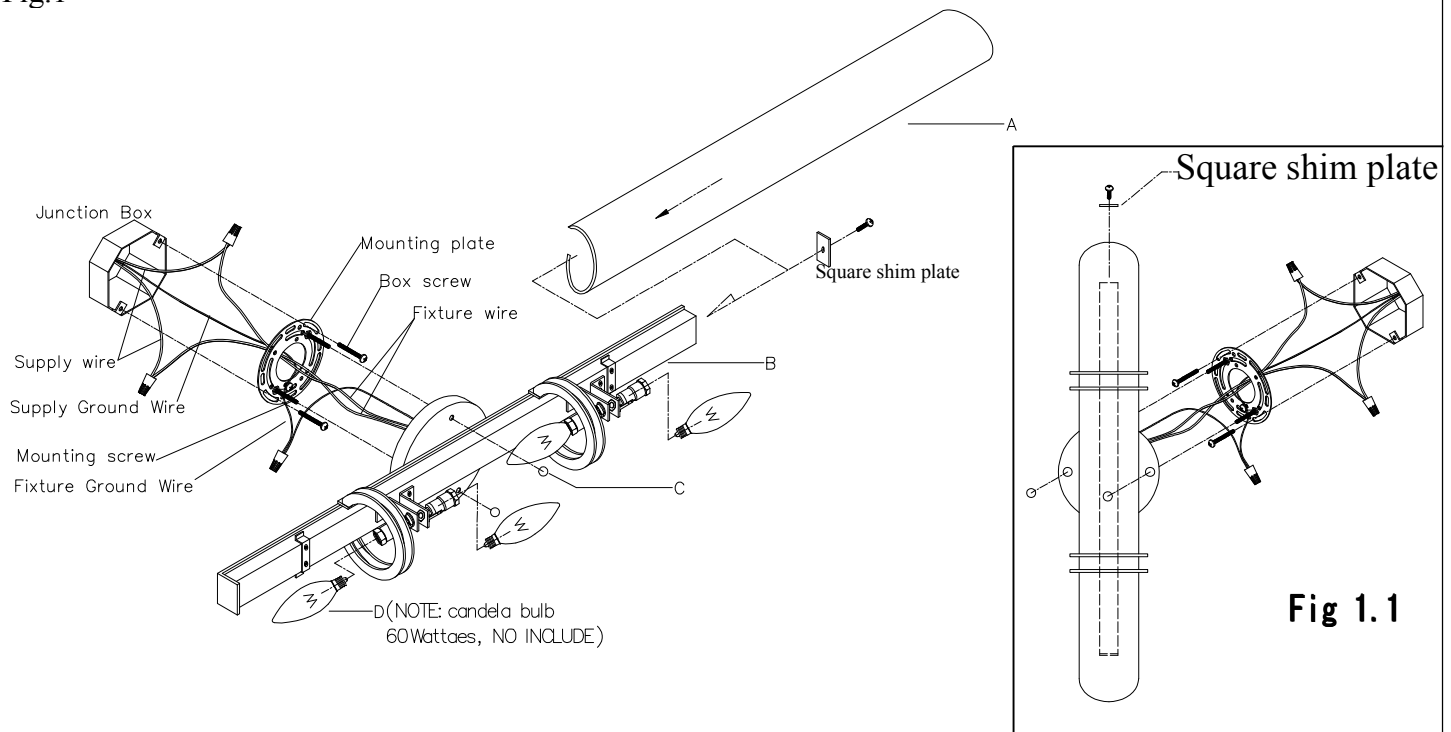


Fig.2

<b>FIXTURE WIRES</b> Black or Smooth		<b>FIXTURE WIRES</b> White or Ribbed		<b>FIXTURE WIRES</b> Bare Copper (Ground)	
<b>HOUSE WIRES</b> Black (Hot)		<b>HOUSE WIRES</b> White (Neutral)		<b>HOUSE WIRES</b> Green or Bare Copper (Ground)	

UL  
Listed

Livex Lighting®