

# AVANTI I Single Square Post Easel Assembly Instructions

Item No. 92-50404



<b>A</b> Center Column 		<b>B</b> Left Leg 	<b>C</b> Right Leg 	<b>D</b> Front Brace 
<b>E</b> Back Brace 	<b>F</b> Center Column Brace 	<b>G</b> Tilt Support 	<b>H</b> Tilt Support Bracket 	<b>I</b> Lower Canvas Tray 
<b>J</b> Canvas Bracket <p>(QTY: 3)</p>	<b>K</b> Glides <p>(QTY: 4)</p>	<b>L</b> Large Knob <p>(QTY: 5)</p>	<b>M</b> Small Knob <p>(QTY: 6)</p>	<b>N</b> Locking Nut 
<b>O</b> Allen Wrench 	<b>Q</b> Set Screw <p>(QTY: 2)</p>			

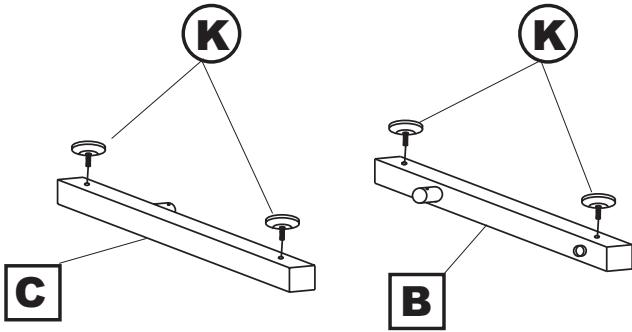
## IMPORTANT

If you have difficulty assembling your table, or need customer service assistance, please call: Martin Universal Design, Inc. customer service hotline at 1-313-895-0700, or email at [custservmud@gmail.com](mailto:custservmud@gmail.com). If you need additional parts, it is not necessary to contact your dealer. Our Customer Service Representative will forward them to you immediately.

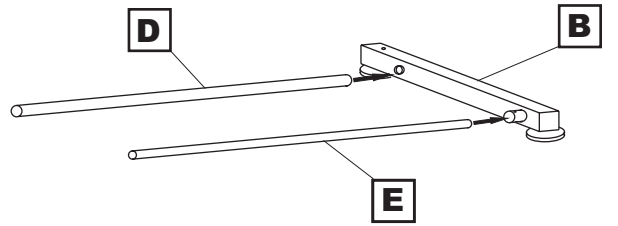
**MARTIN**  
MARTIN UNIVERSAL DESIGN, INC

4444 Lawton Street, Detroit, MI 48208 USA  
TEL: 313-895-0700 FAX: 313-895-0709  
[www.MartinUniversalDesign.com](http://www.MartinUniversalDesign.com)  
Email: [custservmud@gmail.com](mailto:custservmud@gmail.com)

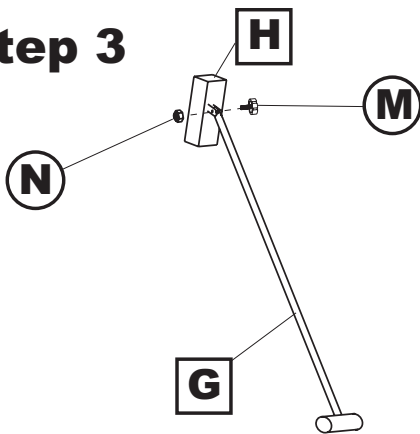
## Step 1



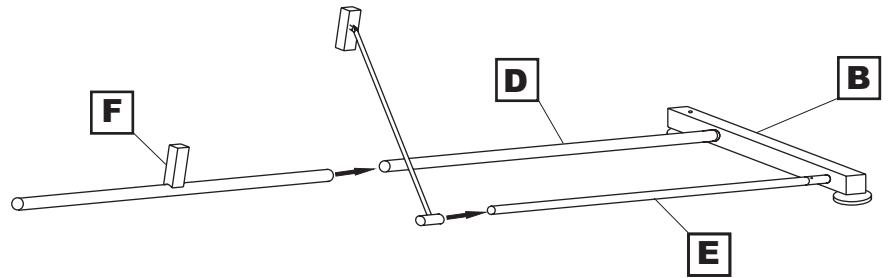
## Step 2



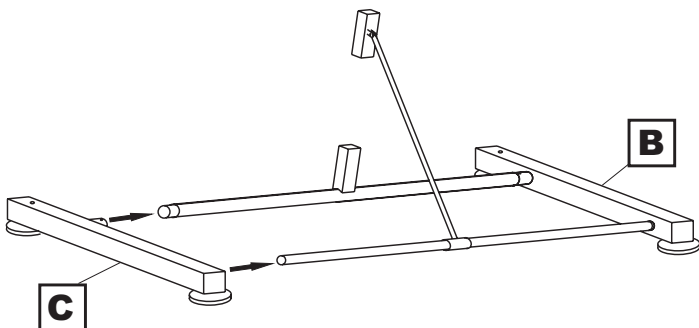
## Step 3



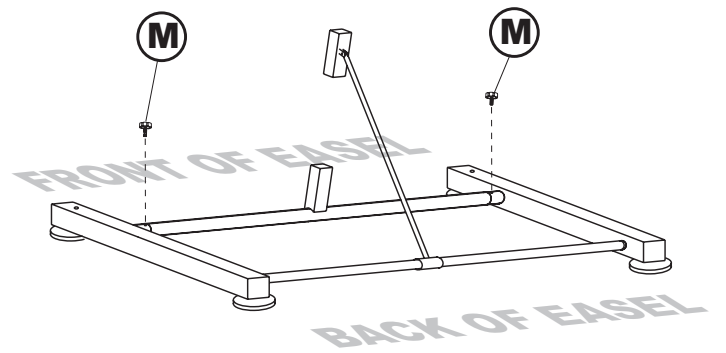
## Step 4



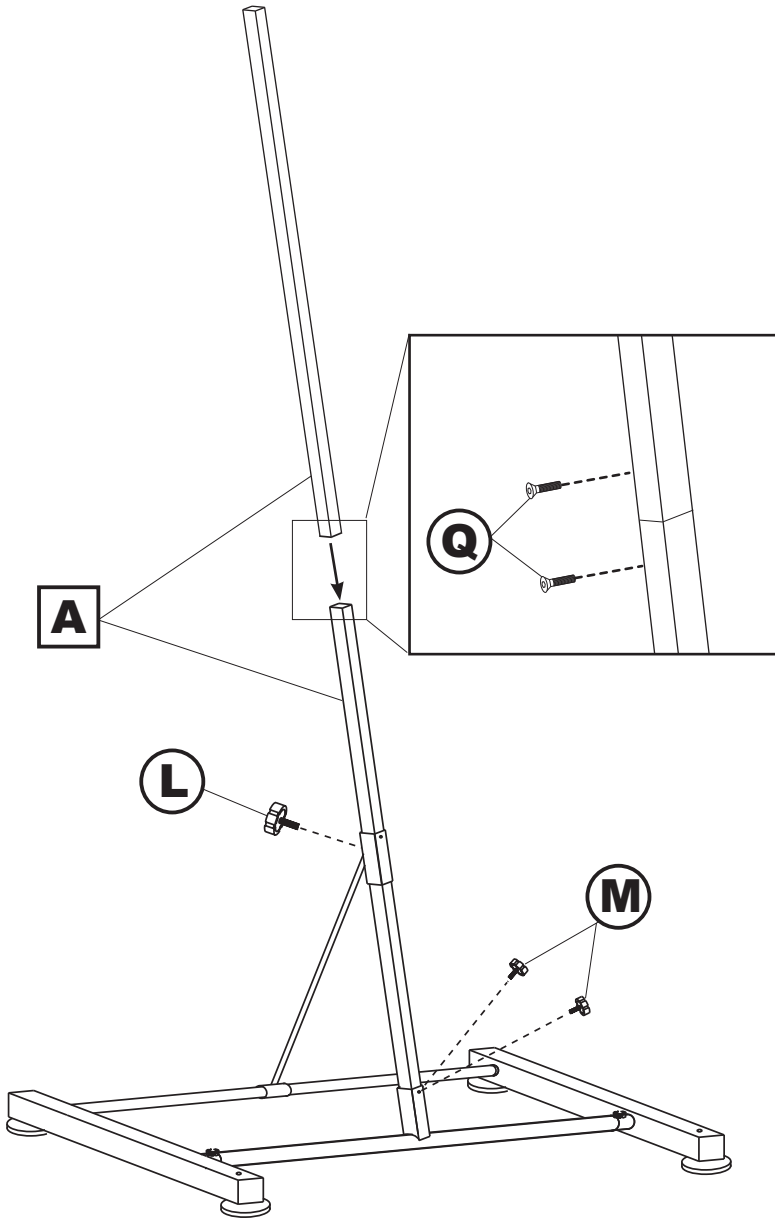
## Step 5



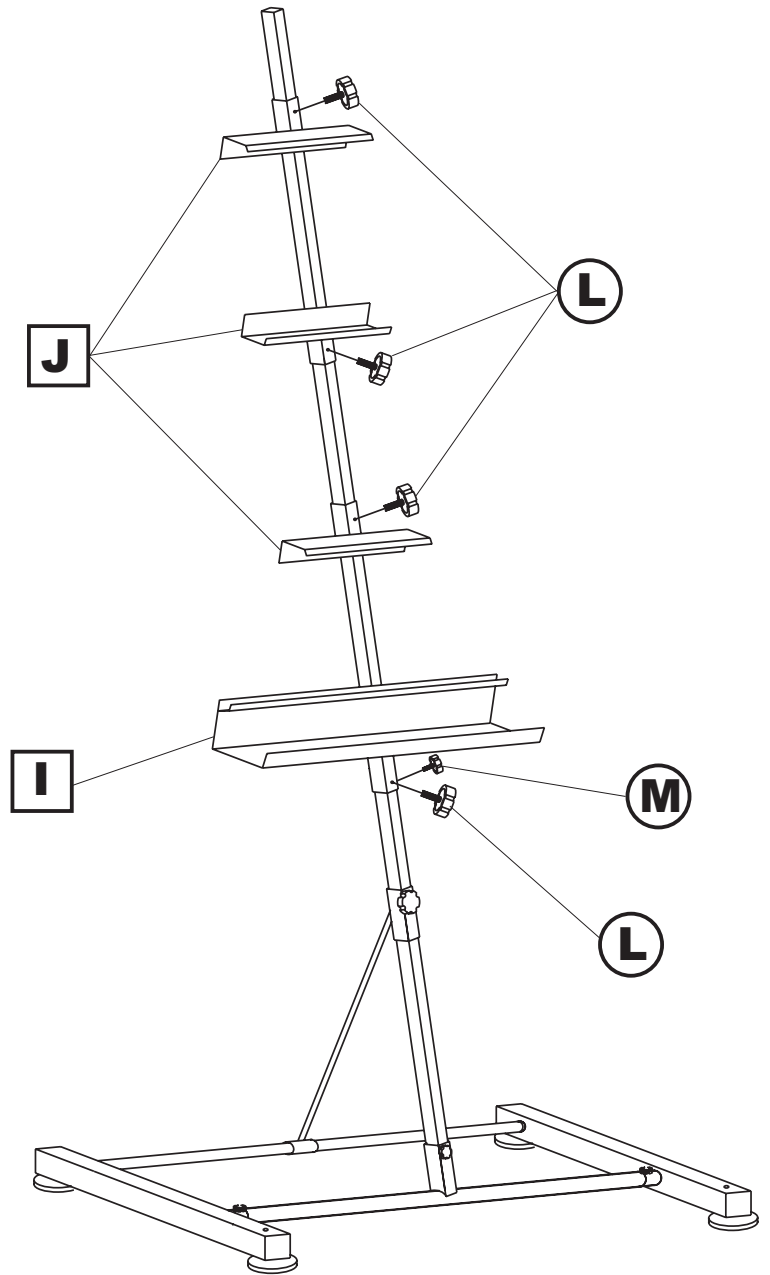
## Step 6



## Step 7



## Step 8



### IMPORTANT

If you have difficulty assembling your table, or need customer service assistance, please call: Martin Universal Design, Inc. customer service hotline at 1-313-895-0700, or email at [custservmud@gmail.com](mailto:custservmud@gmail.com). If you need additional parts, it is not necessary to contact your dealer. Our Customer Service Representative will forward them to you immediately.

**MARTIN**  
MARTIN UNIVERSAL DESIGN, INC

4444 Lawton Street, Detroit, MI 48208 USA  
TEL: 313-895-0700 FAX: 313-895-0709  
[www.MartinUniversalDesign.com](http://www.MartinUniversalDesign.com)  
Email: [custservmud@gmail.com](mailto:custservmud@gmail.com)