

OWNER'S MANUAL

For the following
models:

BHP0106 Series

BHV0100 Series

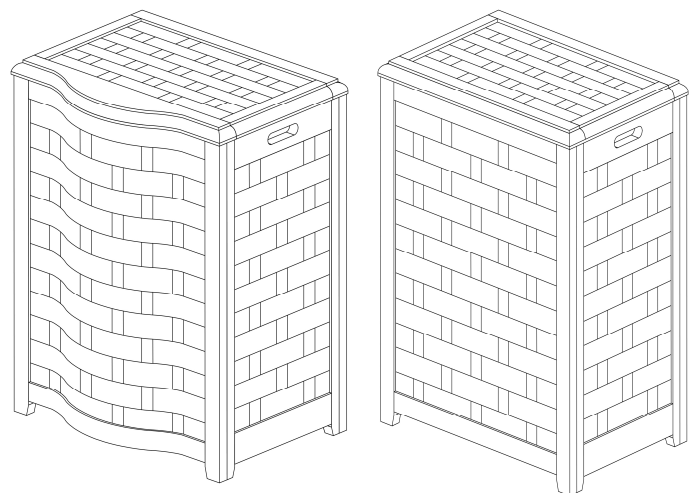
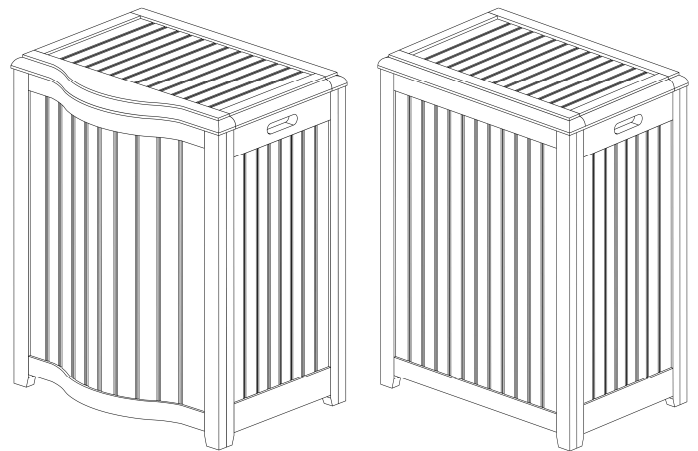
RHP0109 Series

RHV0103 Series

CAUTION:

Carefully Read
Instructions and
Procedures for Safe
Operation.

LAUNDRY HAMPER





Thank you for purchasing one of many Oceanstar quality products. Before assembling this unit, please take a moment to read the assembly instructions carefully, and verify the contents of this carton with the check-list table to make sure all parts are included. We would like to hear your comments concerning this product and we are always looking for ways to improve our product. If you have any suggestion or comment, please write to the R & D department, P.O. Box 894, Chino Hills, CA 91709 or email to corp@oceanstardesign.com. Thank you

FURNITURE CARE FACTS:

Wood, when first cut contains more than 50 percent water. When it is prepared for furniture construction it is placed in a Kiln and the moisture content is brought down to 8 to 10 percent. Wood is porous and responds to its environment. If the room has high humidity it will absorb it and expand and if the humidity is low it will lose moisture and shrink. It is important that the humidity levels in the room be controlled from extremes of too much humidity or too little. Furniture should not be placed close to air-conditioning outlets, fireplaces, radiators, space heaters, humidifiers or dehumidifiers. Exposure to extreme variations of temperature and humidity can damage any fine wood product.

THE IDEAL ENVIRONMENT FOR FINE FURNITURE:

Fine wood furniture will have fewer problems when its environment is controlled at a temperature between 65 and 75 degrees and a relative humidity between 35 and 40 percent. Wood placed in an environment outside of those limits can and will shrink or expand and may develop some small cracks which are not material or structural defects.

AVOID DIRECT SUNLIGHT:

Keep the furniture out of direct sunlight. Ultraviolet rays will fade colors and in some cases darken them. It can also cause crazing or hairline cracks in the finish. White finishes will yellow naturally over time and exposure to direct sunlight will hasten this natural process along with some woods darkening naturally over time; this is not considered to be a quality defect.

PROPER STORAGE:

If you need to put your furniture in storage for an period of time do not store them in a damp basement or hot dry attic. Allow air movement around the furniture and do not stack anything on it.

CARE & MAINTENANCE:

When cleaning your furniture, use a non-toxic and non-abrasive cleaner. Apply to the surface with a soft cloth, dampened in the solution. After cleaning, dry completely with a soft dry cloth. When moving furniture, always lift the unit. **DO NOT** push or drag it to avoid damaging the legs. Protect furniture surface from hot or extremely cold items. Avoid spilling foreign substances onto the item. If you happen to have an accident or a spillage, clean it immediately because this will prevent possible permanent staining..

Missing Parts request:

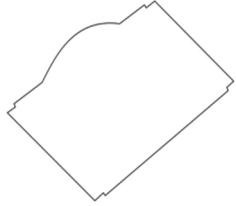
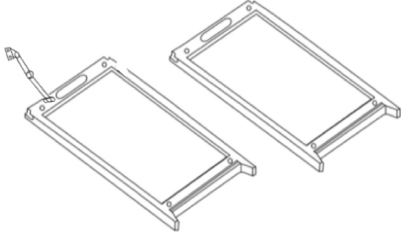
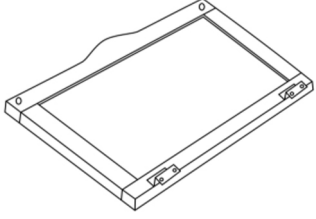
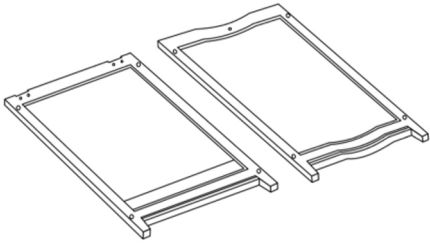
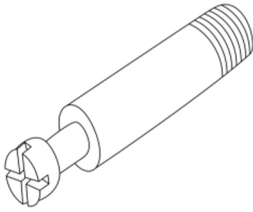
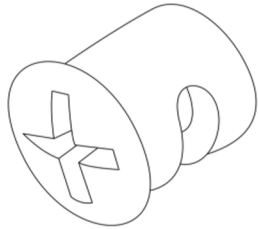
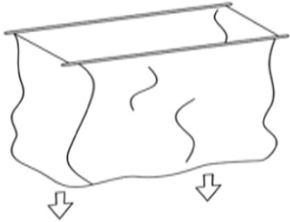
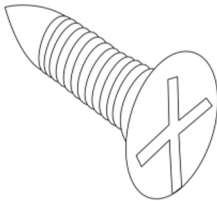
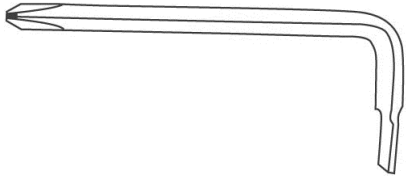
To obtain replacement part(s), please email support@oceanstardesign.com or write to Part Replacement Request, P.O. Box 894, Chino Hills, CA 91709 and provide the reason of replacement request and a copy of your receipt or order confirmation. Type or write your name, contact phone number and shipping address clearly. Replacements are free of charge with proof of purchase from an authorized dealer and must be claimed within 30 days from date of purchase. Please allow 1-4 weeks for delivery of replacement parts.

CAUTION: DO NOT apply pressure to the hinges by opening the lid past its normal stopping point which is at 90-120 degrees.

NOTE: If this product appears to be defective, has missing parts, damaged, or you have any operational and technical installation questions, please contact Manufacturer (Oceanstar Design Group Inc.) via email : support@oceanstardesign.com or via Tel: 888-317-4571 option Customer Service. DO NOT contact your retail store.

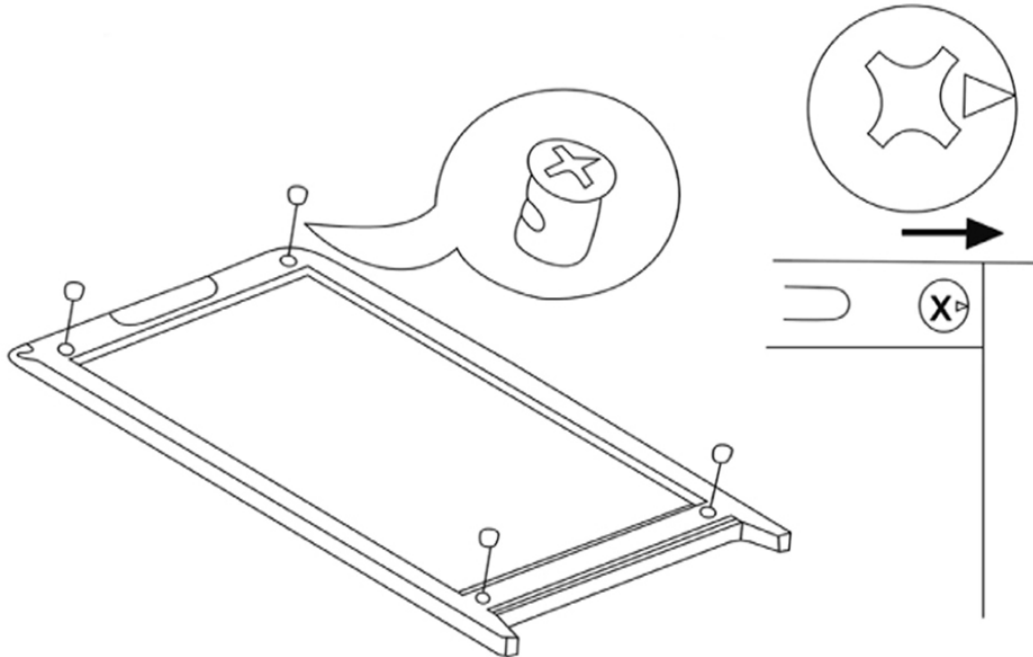
WARNING: TO AVOID DANGER OF SUFFOCATION, KEEP THIS AND ALL OTHER PLASTIC BAGS AWAY FROM BABIES AND CHILDREN. DO NOT USE IN CRIBS, BEDS, OR PLAYPENS. THE THIN FILM MAY CLING TO NOSE AND MOUTH AND PREVENT BREATHING.

PARTS LIST

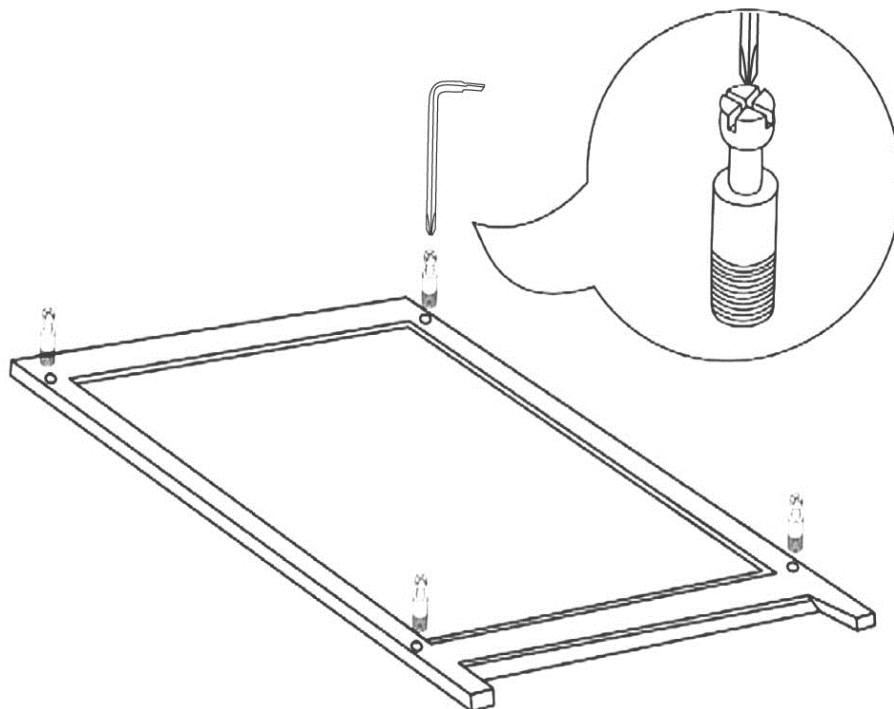
		
<p>QTY: 1</p>	<p>QTY: 2</p>	<p>QTY: 1</p>
<p>Bottom Board</p>	<p>Right and Left Side Panel</p>	<p>Hamper Lid</p>
		
<p>QTY: 2</p>	<p>QTY: 8</p>	<p>QTY: 8</p>
<p>Back and Front Panel</p>	<p>Threaded Post</p>	<p>Cam Insert</p>
		
<p>QTY: 1</p>	<p>QTY: 6</p>	<p>QTY: 1</p>
<p>1 Interior Bag with 2 Metal Rod</p>	<p>Screw for Hinges & Piano Hinge</p>	<p>L Tool (for screws and Cam Inserts)</p>

NOTE: We are always looking for ways to improve our product. If you have any suggestion or comment, please feel free to leave your comment via email: support@oceanstardesign.com . Thank you

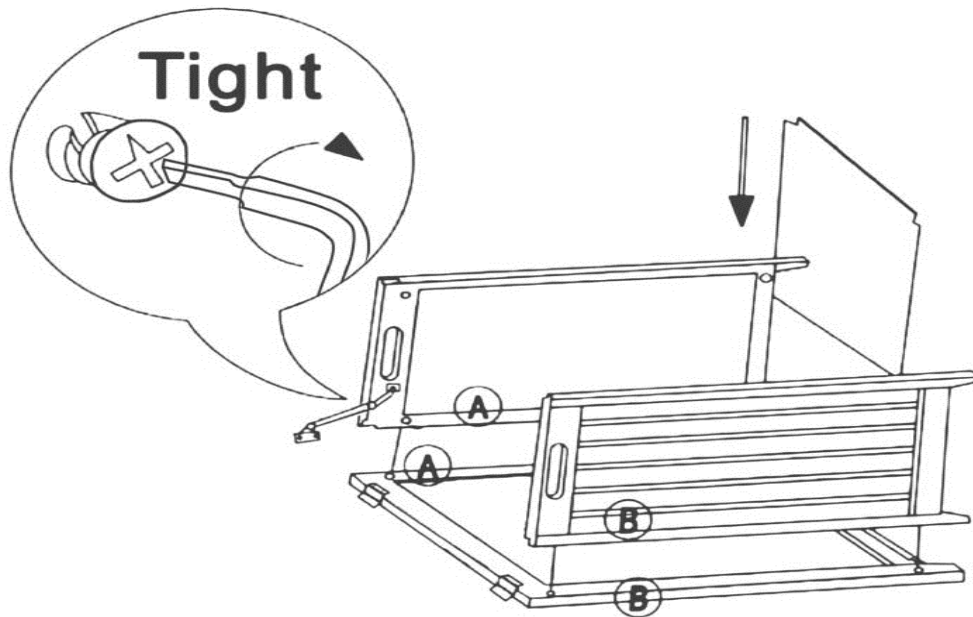
1) Insert 4 Cam Inserts into the four corners of the Right Side Panel (the one with a Piano Hinge). Also insert 4 Cam Inserts into the four corners of the Left Side Panel.



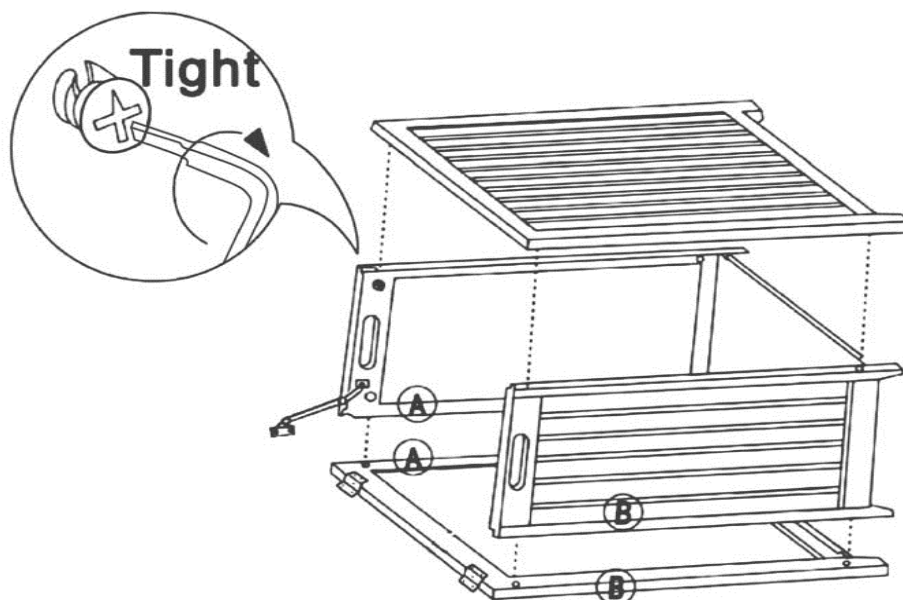
2) Insert 4 Threaded Posts into the four corner of the Front Panel. Also insert 4 Threaded Posts into the four corners of the Back Panel.



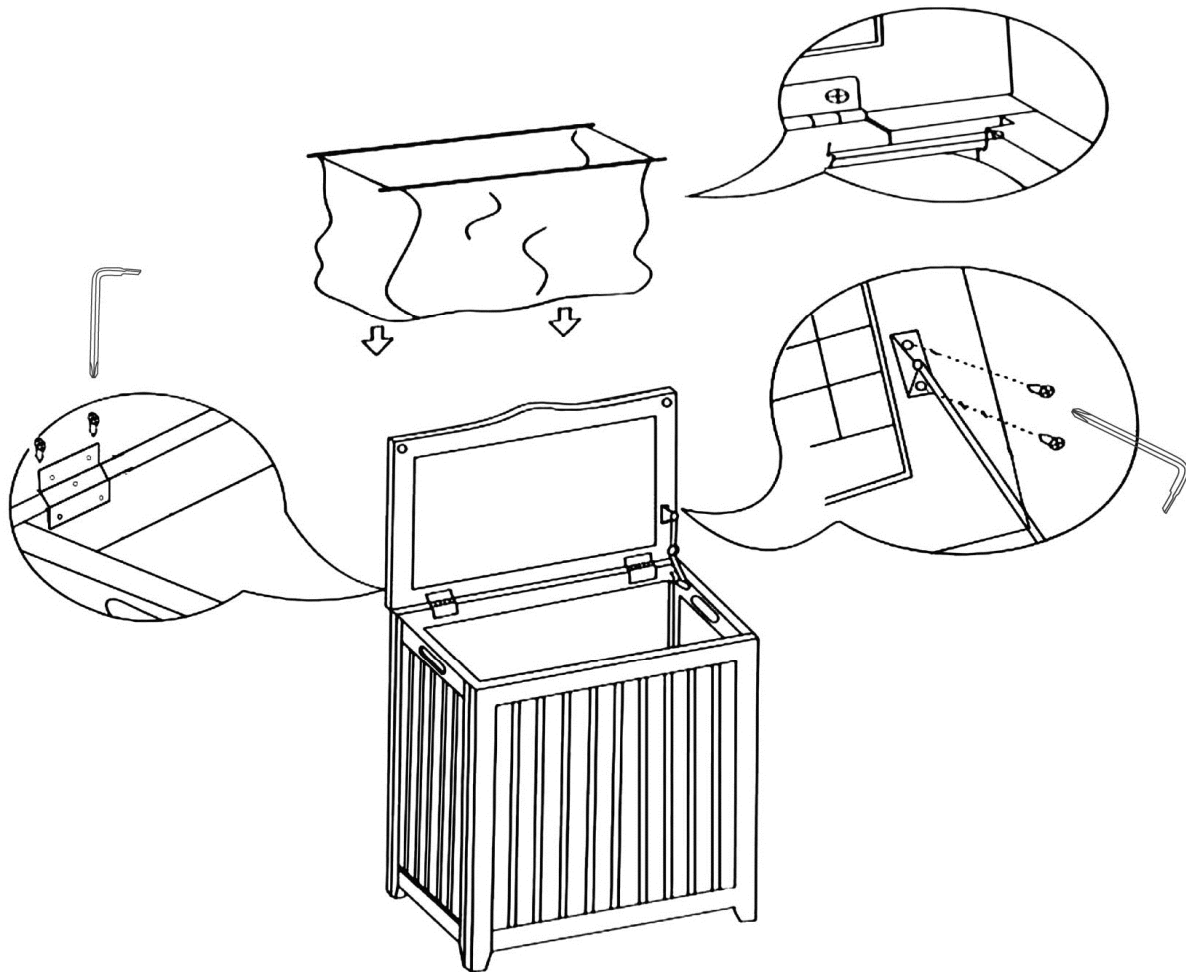
3) Align Right and Left Side Panels to the Back Panel and connect them together. Use a Slotted screwdriver or Phillips screwdriver to tighten the Cam Inserts. Slide the Bottom Board as shown below.



4) Align Front Panel (Flat Style shown below or Bowed Front Style) to the Side Panels and connect them together using a Slotted screwdriver or Phillips screwdriver.



5) Align Hamper Lid to the Back Panel using the four Screws for Hinges provided with a screwdriver to tighten. Connect the Piano Hinge to the Hamper Lid (see diagram) using the two Screws for Piano Hinge with a screwdriver. Insert Interior Bag into the hamper (see diagram). Close the lid and you are done. Congratulations on your new hamper!



CAUTION: DO NOT apply pressure to the hinges by opening the lid past its normal stopping point which is at 90 degrees.

NOTE: If this product appears to be defective, has missing parts, damaged, or you have any operational and technical installation questions, please contact Manufacturer (Oceanstar Design Group Inc.) via email : support@oceanstardesign.com or via Tel: 888-317-4571 option Customer Service. DO NOT contact your retail store.

WARNING: TO AVOID DANGER OF SUFFOCATION, KEEP THIS AND ALL OTHER PLASTIC BAGS AWAY FROM BABIES AND CHILDREN. DO NOT USE IN CRIBS, BEDS, OR PLAYPENS. THE THIN FILM MAY CLING TO NOSE AND MOUTH AND PREVENT BREATHING.