



**Liberty Furniture**  
INDUSTRIES, INC

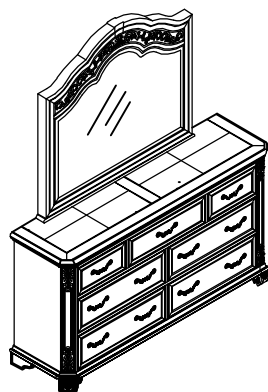
# LIBERTY FURNITURE

## ASSEMBLY INSTRUCTION

ITEM# 837-BR51/BR31

DESCRIPTION MIRROR/DRESSER

Thank you for purchasing this quality product. Be sure to check all packing material carefully for small parts which may have some loose inside the carton during shipment. Identify and count all parts and compare with the parts List Below:



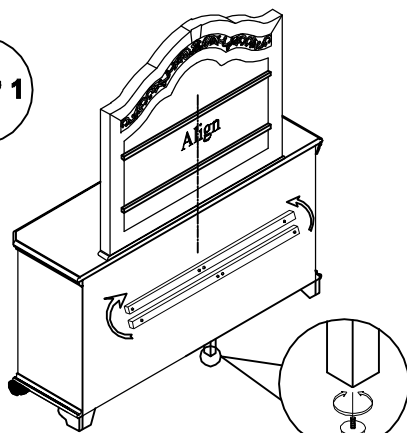
### HARDWARE LIST

NO.	Drawing	Description	Q'ty
A		Flat washer (ø1/4"x19mm)	6pcs
B		Spring washer (ø1/4")	6pcs
C		Bolt (ø1/4"x1-1/2")	2pcs
D		Bolt (ø1/4"x1-1/4")	4pcs
E		Allen wrench (4mm)	1pc

### PART LIST

①	②
DRESSER: 1PC	MIRROR : 1PC

**STEP 1**

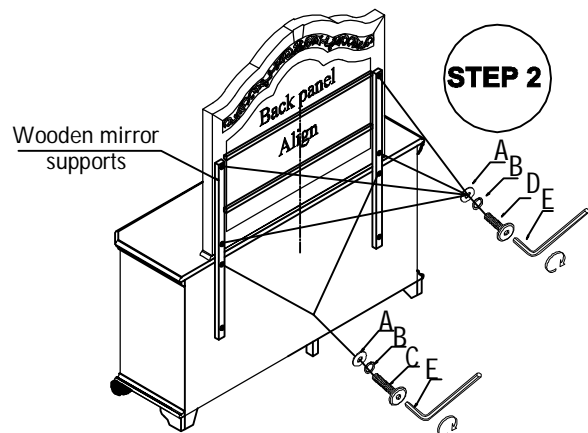


Leveler

### NOTE:

Loosen the bolt on dresser, turn the wooden mirror supports counterclockwise 90 degree then Attach the mirror frame with wooden mirror supports using flat washer(A), spring washer(B), bolt(D) and tighten by allen wrench(E).

**STEP 2**



### Remark:

Bolt C: ø1/4" X1-1/2" Bolt C: ø1/4" X1-1/4"  
The length is different.  
Bolts C 1-1/2" are fastened on wooden mirror supports of the dresser back panel.  
Bolts D 1-1/4" are fastened on wooden mirror supports of the mirror back panel.

### CLEANING INSTRUCTION

Clean the Mirror surface with a furniture polish and a soft cloth.

Made in VietNam