



Liberty Furniture
INDUSTRIES, INC

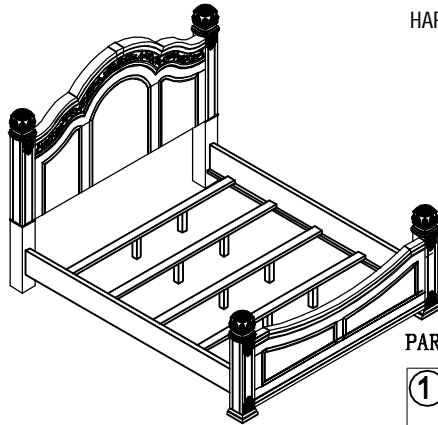
LIBERTY FURNITURE

ASSEMBLY INSTRUCTION

ITEM# 837-BR03/BR04/BR73

DESCRIPTION KING POST BED

Thank you for purchasing this quality product. Be sure to check all packing material carefully for small parts which may have some loose inside the carton during shipment. Identify and count all parts and compare with the parts List Below:

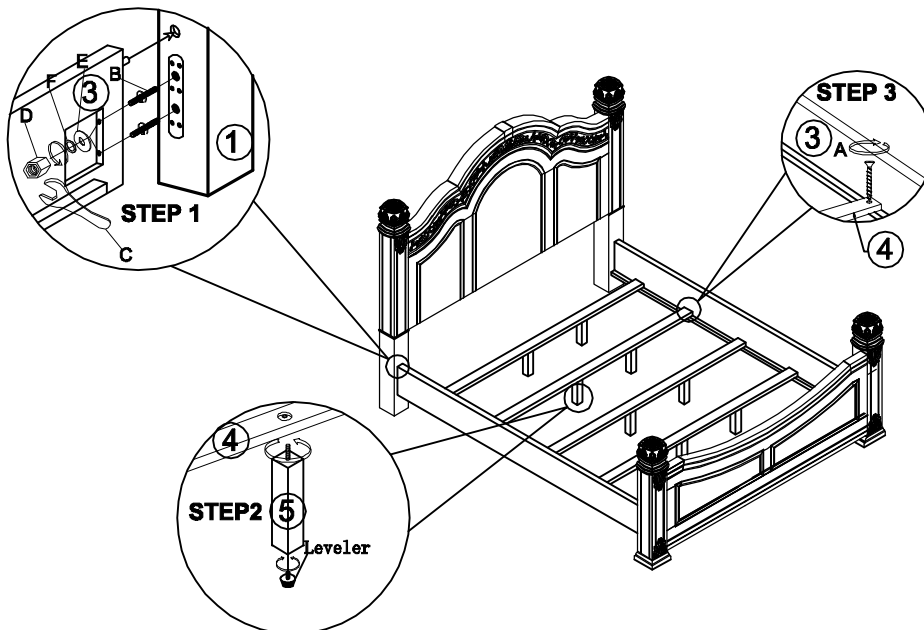


HARDWARE LIST

NO.	Drawing	Description	Qty
A		Wood screw	8pcs
B		Threaded Bolt (Ø5/16"X3-1/2")	8pcs
C		Ø5/16" Wrench(12mm)	1pc
D		Hex Nut (Ø5/16")	8pcs
E		Flat washer (Ø5/16"x19mm)	8pcs
F		Spring washer (Ø5/16")	8pcs

PART LIST

① 	② 	③ 	④ 	⑤
HEADBOARD:1PC	FOOTBOARD:1PC	SIDE RAILS: 2PCS	SLATS:4PCS	SUPPORT: 8PCS



CLEANING INSTRUCTION

Clean the Bed surface with a furniture polish and a soft cloth.

Made in VietNam