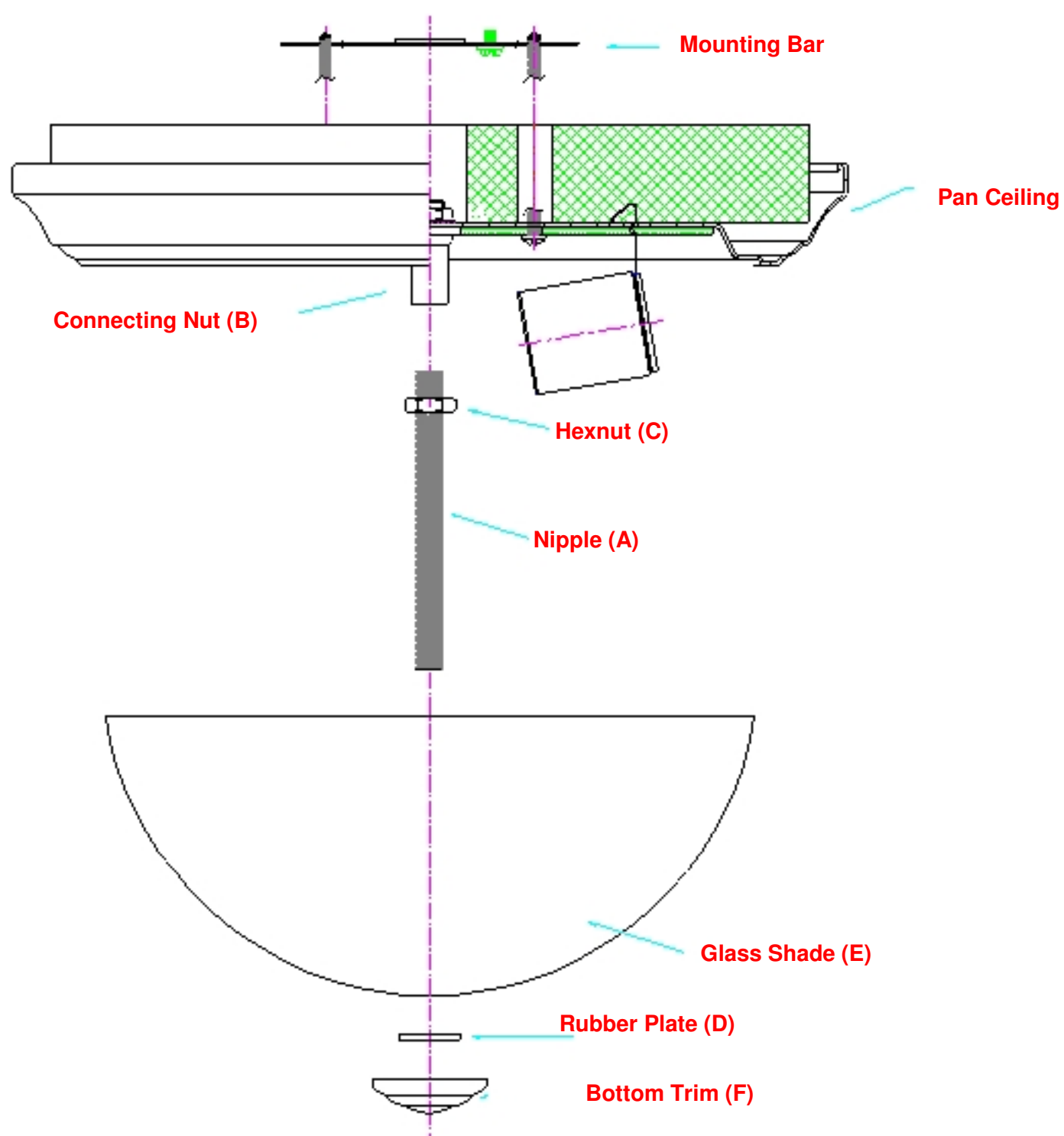


# ASSEMBLY INSTRUCTION

## Item JK101-11



### ASSEMBLY PROCEDURES:

- 1) Screw the nipple (A) to the connecting nut (B) and secure it with the Hexnut (C).
- 2) Install the bulbs.
- 3) Put the rubber plate (D) and the glass shade (E) all through the nipple (A) and then secure them with the bottom trim (F).