

ASSEMBLY & INSTALLATION INSTRUCTIONS

Please read carefully and save these instructions, as you may need them at a later date.

CAUTION

Turn off the main power at the circuit breaker before installing the fixture in order to prevent possible shock.

GENERAL

All electrical connections must be in accordance with local and national electrical code (N.E.C) standards. If you are unfamiliar with proper electrical wiring connections obtain the services of a qualified electrician.

Remove the fixture and the mounting package from the box and make sure that no parts are missing by referencing the illustrations on the installation instruction.

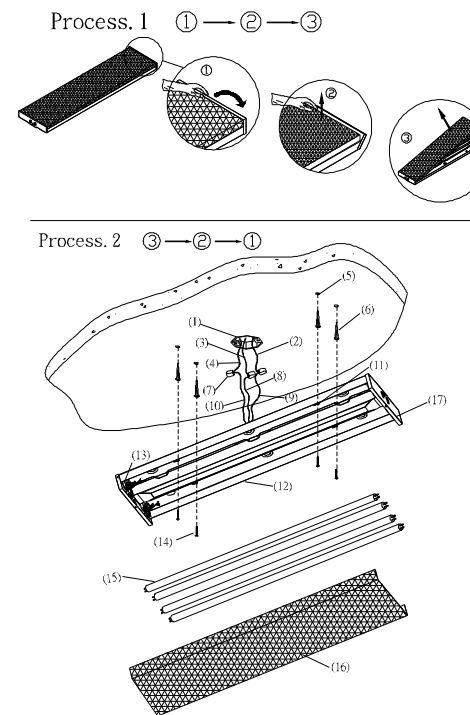
ASSEMBLY AND INSTALLATION

1. Take the fixture out of the box. Remove the acrylic lens from the fixture and place aside on a flat surface to avoid damage to the lens. To remove the lens, please pull one End cap (17) outward and then remove the acrylic lens from the fixture.(Refer to process #1).Then take the cardboard out from the End cap.
2. Position your fixture over the Outlet Box (1). Mark the location of the four Keyhole Slots (11) located on the Fixture Body (12). Be sure to mark only the narrow parts of the Keyhole Slots (11). Remove the Fixture Body (12) from the ceiling. Drill the four holes using the appropriately sized drill bit. Insert the provided Ceiling Anchors (6) into the holes.
3. Make the wiring connections: connect the House Ground Wire (2) to the Fixture Ground Wire(9)using Easy Connector(7);connect the White Supply Wire(3)to the White Fixture Wire(8); connect Black Supply Wire(4)to the

Black Fixture Wire (10) using Easy Connectors (7). Carefully tuck all wires back into the Outlet Box (1).

4. Feed the four Anchor Screws (14) through the narrow part of the Keyhole Slots (11). Tighten the Anchor Screws (14) into the Ceiling Anchors (6) until the Fixture Body (12) is flush with the ceiling.
5. Install the Fluorescent Tube Lamp (15) into the Fluorescent Sockets (13). Please follow the wattage label located on the fixture body. Do not exceed the recommend wattage.
6. To install the lens, carefully slide the lens to the end cap which is fixed making sure the lens is way to the end of the end cap. Pull the other end cap which is moveable Outward and put the lens down. Then the lens will be hold by the end cap.

INSTALLATION IS NOW COMPLETED



- 1.OUTLET BOX
- 2.HOUSE GROUND WIRE
- 3.WHITE SUPPLY WIRE
- 4.BLACK SUPPLY WIRE
- 5.DRILLED HOLES
- 6.ANCHOR
- 7.EASY CONNECTORS
- 8.WHITE FIXTURE WIRE
- 9.FIXTURE GROUND WIRE
- 10.BLACK FIXTURE WIRE
- 11.KEYHOLE SLOT
- 12.FIXTURE BODY
- 13.FLUORESCENT SOCKET
- 14.ANCHOR SCREWS
- 15.TUBE
- 16.ACRYLIC LENS
- 17.END CAP