



YOSEMITE
HOME DÉCOR

Electric Fireplace

Instruction Manual

Wall Hanging Electric Fireplace Packing List

1	Electric Fireplace
1	Glass Face
1	Remote Control
2	AAA Batteries
1	Instruction Manual
1	Wall Fixing Plate
1	Fastener Package

Yosemite Home Décor
1-800-305-9872
www.YosemiteHomeDecor.com



INSTALLATION INSTRUCTIONS

Location

1. The fireplace may be hanged on any wall surface that can support its weight and where it can be leveled. As it does not irradiate any heat from the back and no rear clearances are needed.
2. The heater, which is located at the base of the fireplace, must be a minimum of 16 inches away from any combustible material.
3. It is important that the wall on to which the fireplace is to be installed is of sound construction. It is recommended that the brackets are installed directly into beams for support. But not necessary depending on the size and weight of the unit.
4. Yosemite fireplaces are approved for indoor use only.
5. The fireplace must be kept away from any source of damp or moist conditions. Avoid any close contact with water.
6. This fireplace produces heat. Consequently it is important to ensure that a suitable wall covering is selected behind and around the appliance. Typical wood frame drywall construction is suitable.

Installation

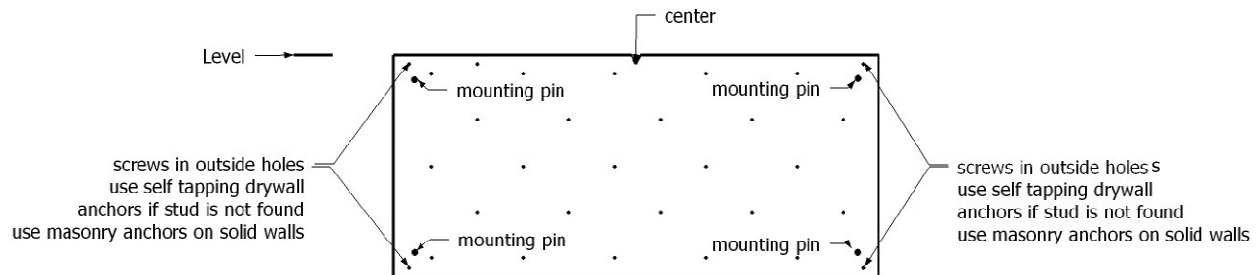


Figure 1

1. Select the position of the fireplace on the wall to which it is to be mounted. Draw a level horizontal line on the wall at the required height. This line will correspond to the top of the fireplace so it is important to allow for the extra height of the glass face.
2. Mark the center line of the fireplace on to the horizontal line.
3. Place the Installation Plate along the horizontal line and line up the center “V” cut out with the center line. **See Figure 1.**
4. **DRYWALL INSTALLATION**
Install screws into studs at 4 outside corner screw holes. If studs are not present, install self drilling hollow wall anchors at the 4 outside corners and find wood studs with at least 4 more screws on the mounting plate (two high and two low). Holes are offset to allow finding wood studs at normal spacing. Attach more screws into larger models as needed.
5. **MASONRY INSTALLATION**
If the wall is of a sound masonry construction the attaching holes should be drilled with a 5/16” masonry drill. First secure the four outside corners. Use the masonry anchors and screws provided. Double check that a firm, solid attachment is achieved or add additional anchors as required.
6. If a firm attachment cannot be achieved it may be necessary to install extra support to the framing. It is most important that the mounting plate is firm and solid and that the structure is capable of holding the weight of the fireplace and glass face.
7. The mounting plate has four location pins, one at each corner of the plate. **See Figure 1.**

- Lift the fireplace and place the keyhole slots situated on the back of the fire (Figure 2) to the location pins on the mounting plate. A gentle application of downward pressure will lock it into place. Make sure *all* of the pins have been located into the top section of each keyhole fixing slot. (See Figures 3 & 4)

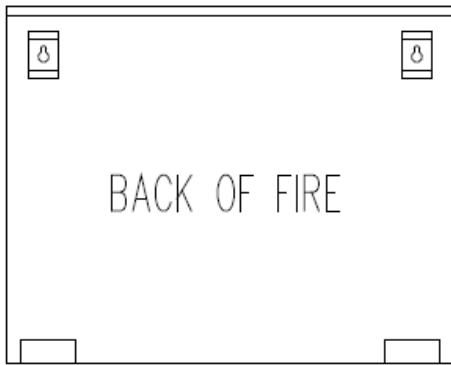


FIG 2

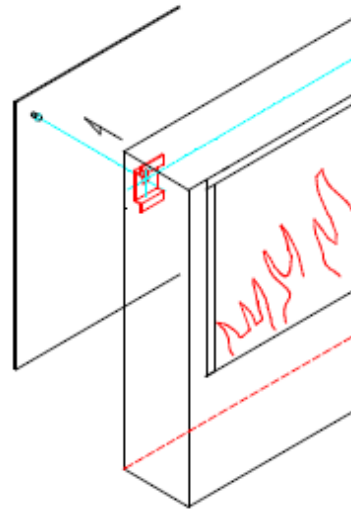


FIG 3

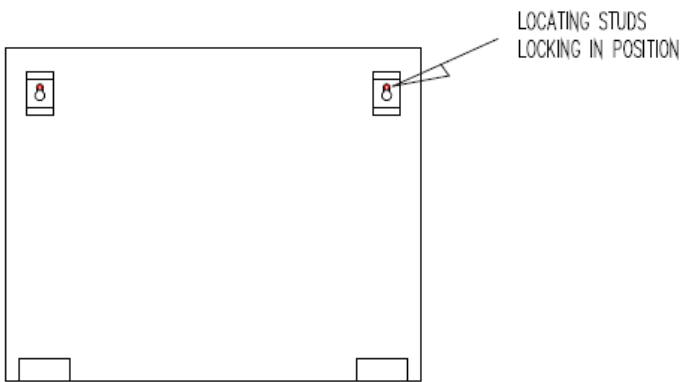


FIG 4

Electrical Work

This fireplace must be grounded

9. A standard electrical outlet must be close to the fireplace. If the electric outlet is required to be concealed, it can be located above or on the right hand side of the fire and behind the glass face.
10. **DO NOT INSTALL THE FIREPLACE WHERE THE HEATER IS DIRECTLY ABOVE AN OUTLET**
The fireplace's vent is located in the center of the fireplace base.
11. If the power supply cable becomes damaged in any manner it **MUST** be replaced.
12. **DO NOT** connects the fireplace to an extension cord or cable. This can create an unsafe condition.
13. The fireplace must not be modified in any way or used for purpose other than those recommended by Yosemite Home Decor.
14. If the fireplace shows any signs of damage it is important that it is examined by a qualified professional before use is continued.
15. Please observe these instructions as failure to do so may result in electric shock or other injury.
16. Always ensure that all electrical work complies with the relevant Building Codes. All electrical work should be carried out by a qualified electrician.
17. If in any doubt contact your supplier or a qualified electrician.

Attaching the Face

Two people may be required to carry out this installation

1. On each side of the fireplace are two locating studs (**Figure 5**).

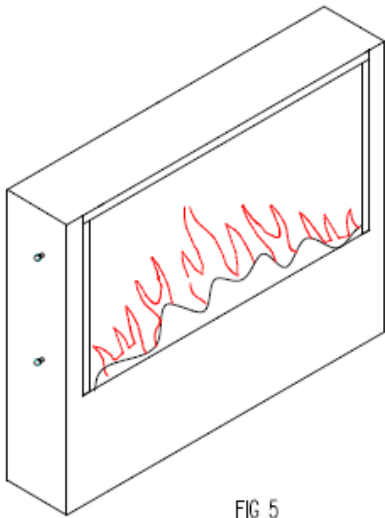


FIG 5

2. On the back of the face there are two brackets which hook over these studs.
3. Lift the face up to the fireplace. Then lower the face into place so that the brackets on the rear of the face locate either side of the studs on the fireplace. Once in place firmly tighten the locking bolt. (**Figure 6**)

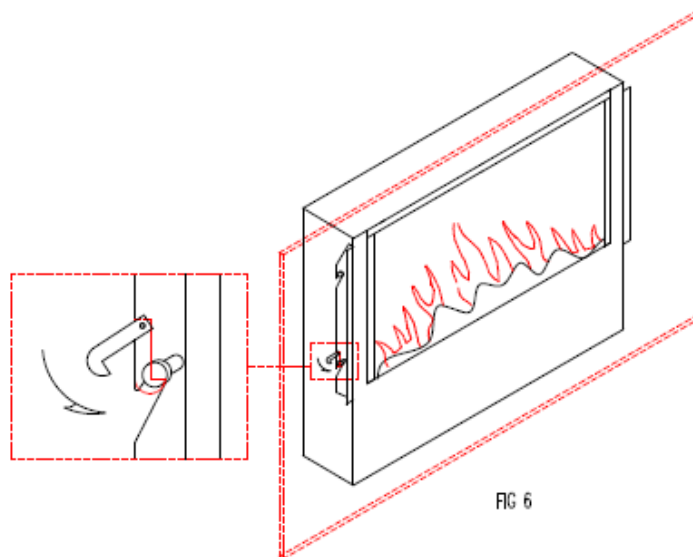


FIG 6

OPERATING INSTRUCTIONS

CAUTIONS:

1. When the fireplace is in operation certain areas of the fireplace surface will get hot. Caution must be taken to avoid being burned. Take care not to touch hot surfaces.
2. The fireplace must not be switched on if volatile vapors are present in the room
3. Children must be supervised around the fireplace.
4. Do not obstruct the air flow around the fireplace.
5. Ensure that the fireplace is switched off and disconnected from power source before cleaning or carrying out any maintenance work.
6. When the fireplace is not in use it should be switched off at the main power switch.
7. Do not push any objects through the vent of the fire as this may result in an electric shock or could cause a fire.

Fireplace Control Panel

The control panel is located on the right hand side of the fireplace (Figure 7).

- A Main Power Switch
- B On/Off Switch
- C Flame Effect Dimmer Switch
- D Heater Maximum Heat 1500 w
- E Heater Low Heat 750 w

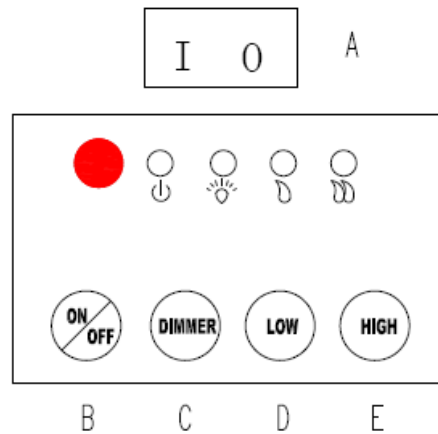


FIG 7

Remote Control

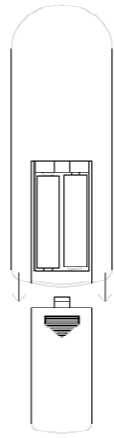


FIG 8

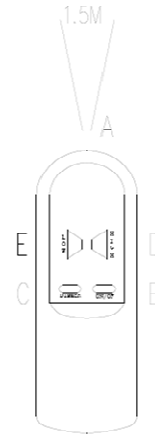


FIG 9

DIMMER ON/OFF HIGH\LOW

- A Infrared Window
- B On/Off Switch
- C Flame Effect Dimmer
- D Heater Maximum Heat
- E Heater Low Heat

1. Prior to use, the remote control handset requires installation of the two included AAA batteries (Figure 8).
2. Remove the cover on the rear of the remote control by sliding backwards. Install the batteries as shown and then slide the cover back into the original position.
3. To enable the remote control to function the power to the fireplace must be switched on.
4. At a distance of 5 to 6 feet, point the remote control directly towards the bottom right hand side of the fireplace. (Figure 9)

- B On/Off Switch Press on/off switch to turn fire on.

- C Flame Effect Dimmer Press once to commence dimming cycle. During the dimming cycle the fire will slowly dim then brighten allowing user to choose suitable level. Press a second time to stop cycle when the desired brightness level is obtained. Failure to press dimmer a second time will result in the fire dimming then brightening repeatedly.

- D Heater Maximum Heat (1500 W) Press this once to switch to high heat. The indicator light will come on as well as the fan. Press again to turn off. (The fan will continue to run for a few moments until sensors indicate cool condition)
- E Heater Low Heat (750 w) Press this once to switch to high heat. The indicator light will come on as well as the fan. Press again to turn off. (The fan will continue to run for a few moments until sensors indicate cool condition)
- F Indicator Lamps will verify current activity. If you are unsure if heat is on or off check the lamps on the control panel. If the function is on the indicator lamp will light above the function switch.

MAINTENANCE INSTRUCTIONS

Changing Light Bulbs

Disconnect power supply before beginning any maintenance.

1. Light bulbs need to be replaced when you notice a dark section of the flame or when clarity and detail of the coal effect disappears.
2. Unscrew the locking nut on the side of the brackets and then remove the face. This is done by lifting the face up and swinging the face clear of the fire. Care should be taken not to damage the face. Removal of the face may require two people.
3. On the base of the fire there are screws on both sides. These need to be removed to allow the cover to slide down. (Figure 10).

WARNING

- Allow at least five minutes for the light bulbs to cool before touching the bulbs to avoid burning. Make sure power supply is disconnected.
- Examine the bulbs to determine which one needs replacing. Remove the non working bulb and replace with a new long life bulb. Hold the socket while unscrewing the old bulb and while screwing in the replacement bulb. (Figure 11)
- The bulbs are 40 watt candelabra bulbs available at most hardware or Do it Your Self or Lighting stores.
- Once the bulb has been replaced, replace the cover, screws and face.

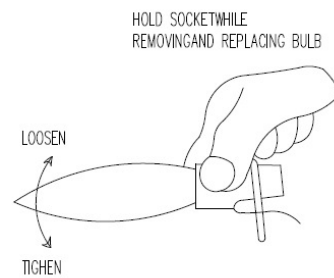
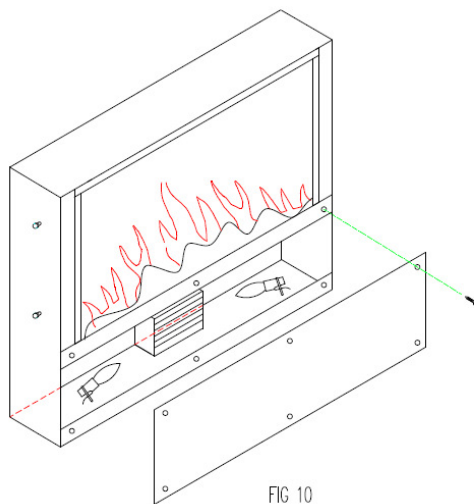


FIG 11

Cleaning the Fire

Switch off the power to the fire and allow it to cool before cleaning.

Use a soft damp (not wet) cloth.