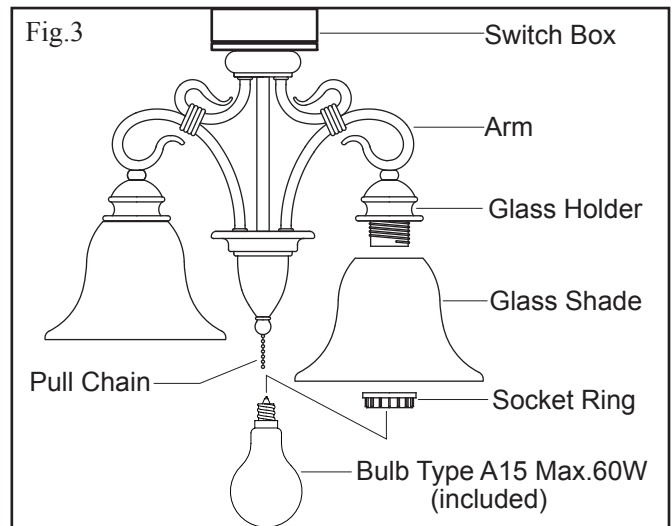
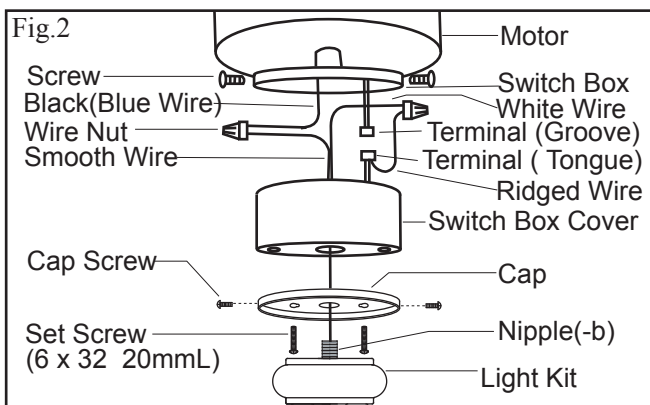
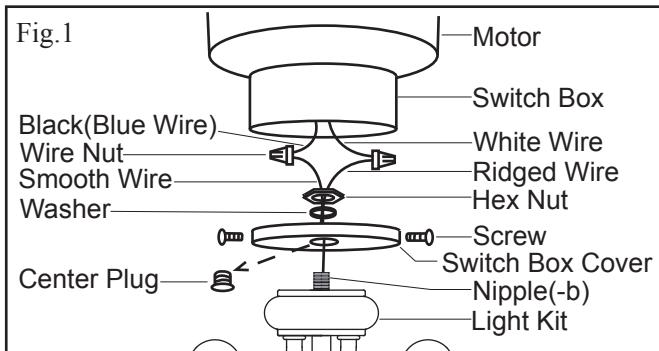


ASSEMBLY AND INSTALLATION INSTRUCTIONS

BE-LKD003

WARNING: BE SURE TO SHUT OFF POWER AT THE MAIN FUSE OR CIRCUIT BREAKER BOX BEFORE INSTALLING OR SERVICING THIS FIXTURE.

NOTE: 1. Before installing, consult local electrical codes for wiring and grounding requirements.
2. The combined weight of your ceiling fan and light kit cannot exceed 35 pounds unless additional support is provided for the fan.



WARNING:

As per EPACT 2005 requirements, this fan light has a built-in current limiting device to conserve energy. Please do not operate it with lamps that together consume more than 190 watts. If the fan light shut off shortly after it was switched on, it may be due to excessive current demand. Turn off power to the fan and replace the light bulbs with lower wattage bulbs. Powers up again by pull chain or wall switch or remote control depend on what is installed with the particular fan.

For Light Kit:

1. Adjust the arms of the fixture according to the drawing of the package.

Important:

a. The arms should be positioned with equal distances between them.

b. The arms should be fixed securely.

2. Remove the switch box cover from the switch box of the fan by loosening the three screws. (See Fig.1)
3. Unscrew the center plug from the switch box cover and discard it.
4. For fan as Fig.1: Attach the nipple of the light kit to the hole of the switch box cover. Thread the wires through the washer and hex nut, then secure them tightly.
5. For fan as Fig.2: Unscrew the cap screw to remove the cap from the light kit, then secure it upward to the switch box cover using the set screws (6x32 20mmL). Thread the wires of the light kit through the cap and switch box cover. Attach the light kit to the cap using the cap screw.
6. Pull out the wires from the switch box. Make wire connections using the wire nuts:
 - The smooth (marked) wire from the light kit to the black or blue wire from the fan.
 - The ridged (unmarked) wire from the light kit to the white wire from the fan.
 - Carefully put the wires back into the switch box cover.
7. Restore the switch box cover back to the switch box using the three screws.
8. Attach the glass shades upward to the glass holders, then secure them with the socket rings. (See Fig.3)
9. Install bulbs (included). See relamping label at socket area or packaging for maximum allowed wattage.
10. Turn on the power at the main fuse or circuit breaker box.
(You can control the lights with the pull chain)

aireRyder™

For Chandelier:

1. Attach nipple(-a) to the mounting strap, then secure it with a washer and hex nut.
2. Attach the mounting strap to the outlet box by using two mounting screws.
3. Take out the parts from the hardware package for the chandelier.
4. Follow the step 1 as *For Light Kit. (Page 1)*
5. Secure the loop to nipple(-b).
6. Choose the length of the chain you need, then weave the fixture wire and the fixture grounding wire through the chain links. Connect one end of the chain with the loop using a loop lock.
7. Secure the top loop to nipple(-a).
8. Thread the fixture wire and fixture grounding wire through the collar, canopy, top loop, nipple(-a) and mounting strap.
9. Connect the other end of the chain with the top loop using the other loop lock.
10. Pull out the outlet wires and the house grounding wire from the outlet box. Make wire connections using the wire nuts:
 - The smooth wire (marked) from fixture to black wire from power source.
 - The ridged wire (unmarked) from fixture to white wire from power source.
 - Attach the fixture grounding wire to the mounting strap with the green grounding screw. Then connect it to the house grounding wire with a wire nut.Carefully put the wires back into the outlet box.
11. Attach the canopy to the mounting strap by inserting the top loop and secure it with the collar.
12. Attach the glass shades upward to the glass holders, then secure them with the socket rings.
13. Install bulbs (included). See relamping label at socket area or packaging for maximum allowed wattage.
14. Turn on the power at the main fuse or circuit breaker box. (You can control the lights with the pull chain.)

