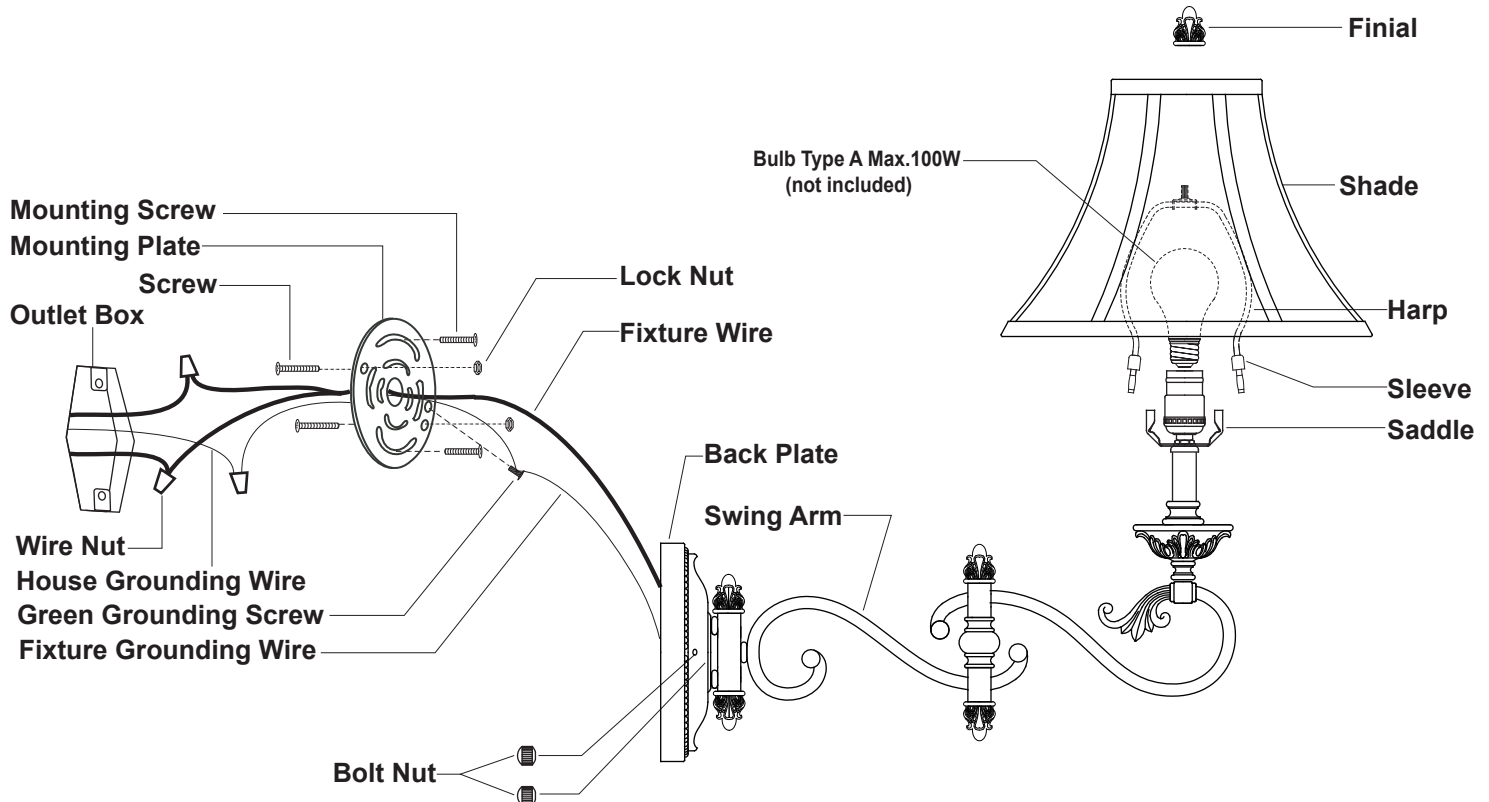


ASSEMBLY AND INSTALLATION INSTRUCTIONS

CA-WLS001

WARNING: BE SURE TO SHUT OFF POWER AT THE MAIN FUSE OR CIRCUIT BREAKER BOX BEFORE INSTALLING OR SERVICING THIS FIXTURE.

**NOTE: 1. Before installing, consult local electrical codes for wiring and grounding requirements.
2. READ AND SAVE THIS INSTRUCTION.**



Option 1:

1. Thread two screws through the mounting plate, then secure them with two lock nuts. Adjust the length of the screws if necessary.
Note: Locate the two screws in horizontal line to ensure the fixture is in proper position when the installation is done.
2. Attach the mounting plate to the outlet box by using two mounting screws.
3. Pull out the outlet wires and the house grounding wire from the outlet box. Make wire connections using the wire nuts:
 - Connect the black wire from the fixture to the black wire from the power source.
 - Connect the white wire from the fixture to the white wire from the power source.
 - Attach the fixture grounding wire to the mounting plate with the green grounding screw. Then connect it to the house grounding wire with a wire nut.Carefully tuck the wires back into the outlet box.
4. Attach the back plate to the mounting plate by inserting the screws, then secure it with two bolt nuts.
5. Squeeze the arms of the harp for fitting them into the saddles, then lower the sleeves in place.
6. Install a bulb (not included). See relamping label at socket area or packaging for maximum allowed wattage.
7. Place the shade onto the harp and secure it with the finial.
8. Adjust the fixture to a proper position by moving the swing arm.
9. Turn on the power at the main fuse or circuit breaker box.

Option 2: (For Portable Use)

1. Take out the parts from the hardware package which marked "For Portable Use".
2. Remove and discard the stopper from the back plate.
3. Connect the pipes in turn as shown in Fig.1. Thread plug cord through the assembled pipes and the nipple.
4. Attach the assembled pipes to the back plate.
5. Thread the plug cord through two holes of the strain relief. Pull the plug cord down until the strain relief touches the back plate.
Note: Adjust the strain relief can decrease or increase the length of the exposed plug cord.
6. Loosen and discard the green grounding screw from the mounting plate.
7. Thread two screws to the mounting plate thoroughly.
8. Place the mounting plate to a proper position.
 - a) If the wall material is wood:
Attach the mounting plate to the wall, then secure the dry wall screws through the set holes to the wall.
 - b) If the wall material is cement:
Mark the holes where you want to place the mounting plate on the wall. Drill the holes and insert the anchors into the holes, then attach the mounting plate to the wall, secure the dry wall screws into the anchors.
9. Cut any excess plug cord leaving 10 inches from the back plate. Slit the plug cord apart in 5 inches. Peel off insulation of the two wires in 5/8 inch. (See Fig.2)
10. Pull out the fixture wires from the back plate. Make wire connections using wire nuts:
 - The black wire from the fixture to the smooth wire (marked) from the plug cord.
 - The white wire from the fixture to the ridged wire (unmarked) from the plug cord.
 Carefully tuck the wires back into the back plate.
11. Attach the back plate to the mounting plate by inserting the screws, then secure it with the bolt nuts.
12. Attach the pipe strap to the connected pipe at the bottom, then secure it to the wall by using dry wall screws.
 - a) If the wall material is wood:
Attach the pipe strap to the wall, thread the dry wall screws through the holes on pipe strap, then secure them to the wall.
 - b) If the wall material is cement:
Mark the holes where you want to place the pipe strap on the wall. Drill the holes and insert the anchors into the holes, then attach the pipe strap to the wall, thread the dry wall screws through holes on pipe strap, and then secure them into the anchors.
13. Follow the steps 5~8 as for Option 1.
14. Insert the plug into the wall receptacle.

