

ASSEMBLY AND INSTALLATION INSTRUCTIONS

LK34205-C

WARNING: BE SURE TO SHUT OFF POWER AT THE MAIN FUSE OR CIRCUIT BREAKER BOX BEFORE INSTALLING OR SERVICING THIS FIXTURE.

NOTE: 1. Before installing, consult local electrical codes for wiring and grounding requirements.
2. The combined weight of your ceiling fan and light kit cannot exceed 35 pounds unless additional support is provided for the fan.

WARNING:

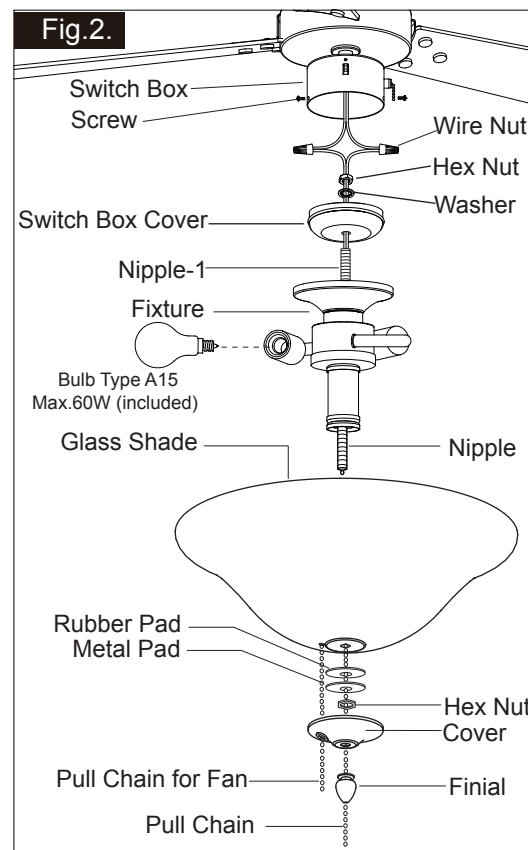
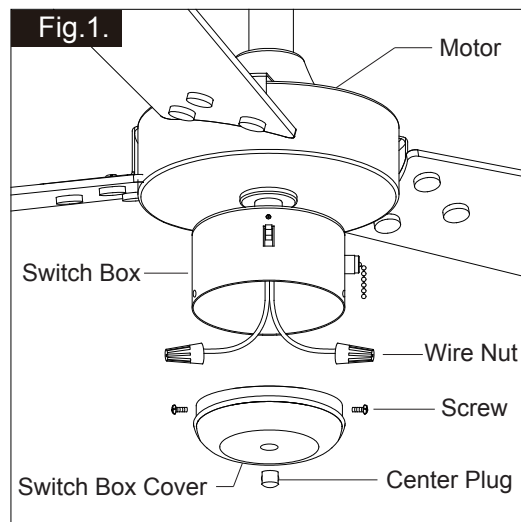
As per EPACK 2005 requirements, this fan light has a built-in current limiting device to conserve energy. The fan light will not operate if the combined wattage of the installed bulbs exceeds 190 Watts. If the fan light shuts off shortly after being switched on, it may be due to excessive current demand. You should replace the light bulbs with lower wattage bulbs.

----This FAN LIGHT can be installed in one of two ways.

----This fan light is not compatible with ceiling fans containing an integrated light kit.

Installing the fixture on fans with Non-Removable switch box:

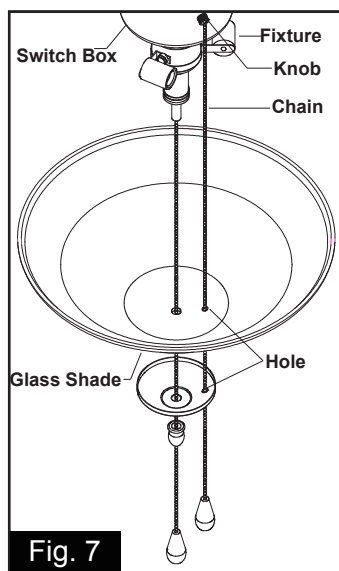
1. Unscrew the three screws from the switch box, remove the switch box cover and disconnect the wire nuts. (See Fig. 1)
2. Push the center plug from inside the switch box cover to remove the center plug. (See Fig. 1)
Note: Save the center plug should you choose to remove the light fixture in the future.
3. Feed the two wires from the fixture through the center hole in the switch box cover, and thread the wires through the washer and hex nut, then secure switch box cover onto the fixture with a hex nut and washer.
4. Connect wires by using the wire nuts: (See Fig. 2)
 - The black (hot) wire from fixture to the black (hot) wire from the fan.
 - The white (neutral) wire from fixture to the white (neutral) wire from the fan.
 - Carefully put wires back into the switch box.
5. Restore the switch box cover back to the switch box by using the three screws. (See Fig. 2)
6. Install bulbs (included). See relamping label at socket area or packaging for maximum allowed wattage.
7. Thread the pull chain through the glass shade, rubber pad, metal pad and hex nut in order, and secure with the hex nut to the nipple. (See Fig. 2)
8. Thread the pull chain through the cover and finial, and secure with the finial to the nipple. (See Fig. 2)
9. Turn on the electric circuit.



Installing the fixture on a removable switch box:

1. Unscrew the three screws from the fan, remove the switch box and disconnect the terminals. (See Fig. 3)
2. Push the center plug from inside the switch box to remove the center plug. (See Fig. 3)
Save the center plug should you choose to remove the light fixture in the future.
3. Thread the two wires from the fixture through the center hole in the switch box, thread the wires through the washer and hex nut, then secure switch box onto the fixture with a hex nut and washer. (See Fig. 4)
4. Remove the wire nuts from the two wires in the switch box labeled "FOR LIGHT KIT CONNECTION". (See Fig. 5)
5. Connect wires by using the wire nuts: (See Fig. 5)
---The black (hot) wire from fixture to the blue (hot) wire from the switch box.
---The white (neutral) wire from fixture to the white (neutral) wire from the switch box.
---Carefully put wires back into the switch box.
6. Connect the two terminals respectively from the fan and switch box. (See Fig. 6)
7. Restore the switch box back to the fan by using the three screws. (See Fig. 6)
8. Install bulbs (included). See relamping label at socket area or packaging for maximum allowed wattage. (See Fig. 6)
9. Thread the pull chain through the glass shade, rubber pad, metal pad and hex nut in order, and secure with the hex nut to the nipple. (See Fig. 6)
10. Thread the pull chain through the cover and finial, and secure with the finial to the nipple. (See Fig. 6)
11. Turn on the electric circuit.

CAUTION:



Thread the pull chain of the fan through the glass shade and the cover. (See Fig. 7)

***** Make sure the hole of glass shade and the hole of the cover for fan lines up.**

***** Adjust the glass shade and cover direction, Make sure that the hole of glass shade and the knob of the switch box are lined up perpendicularly.**

***** Adjust the fixture direction, make sure that the chain does not touch the sockets or light bulb.**

