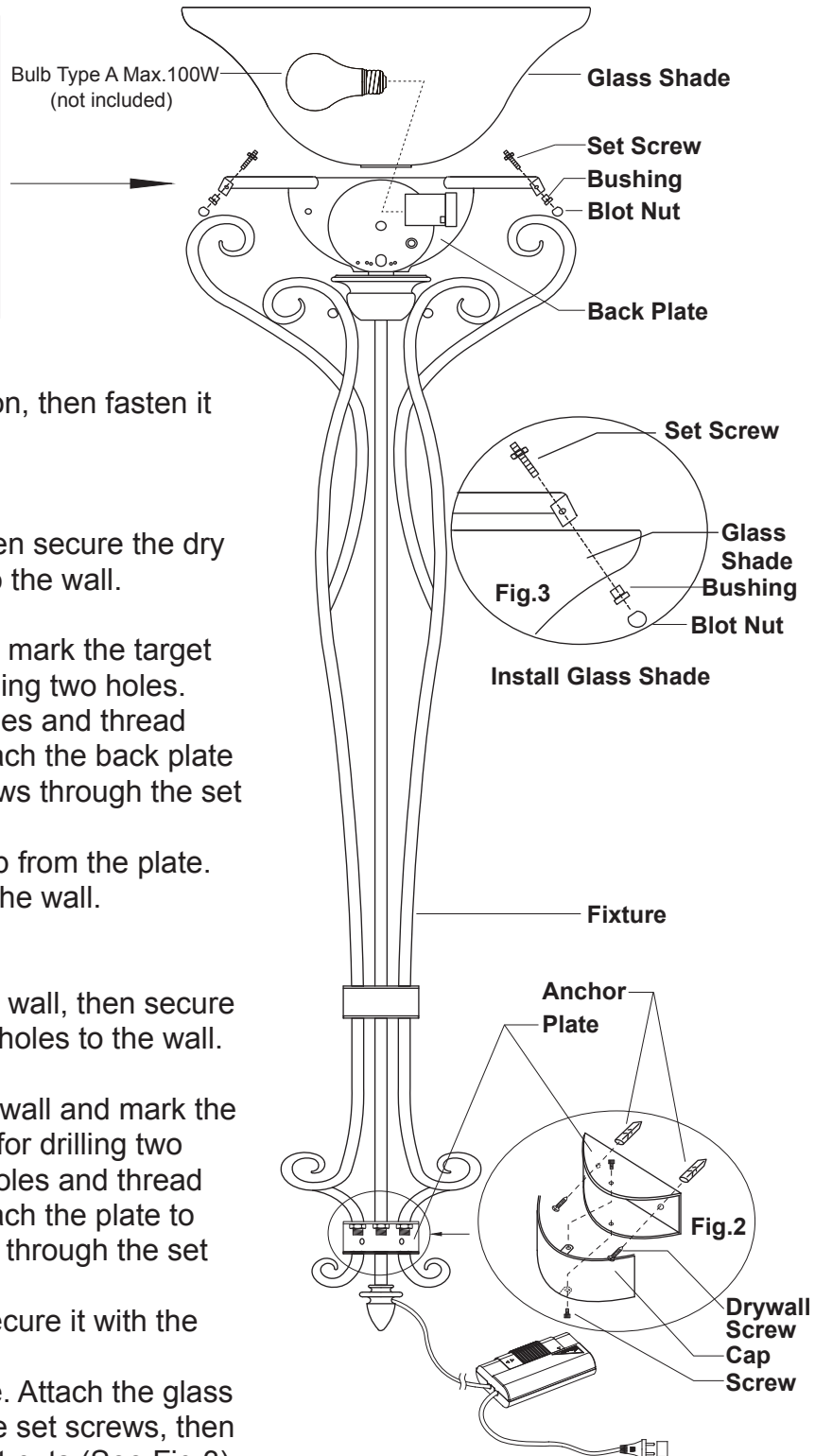
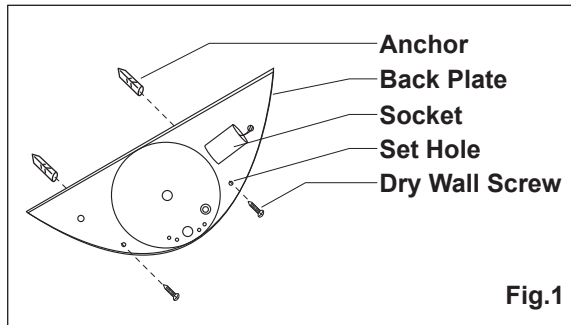


# ASSEMBLY AND INSTALLATION INSTRUCTIONS

WS35976AW

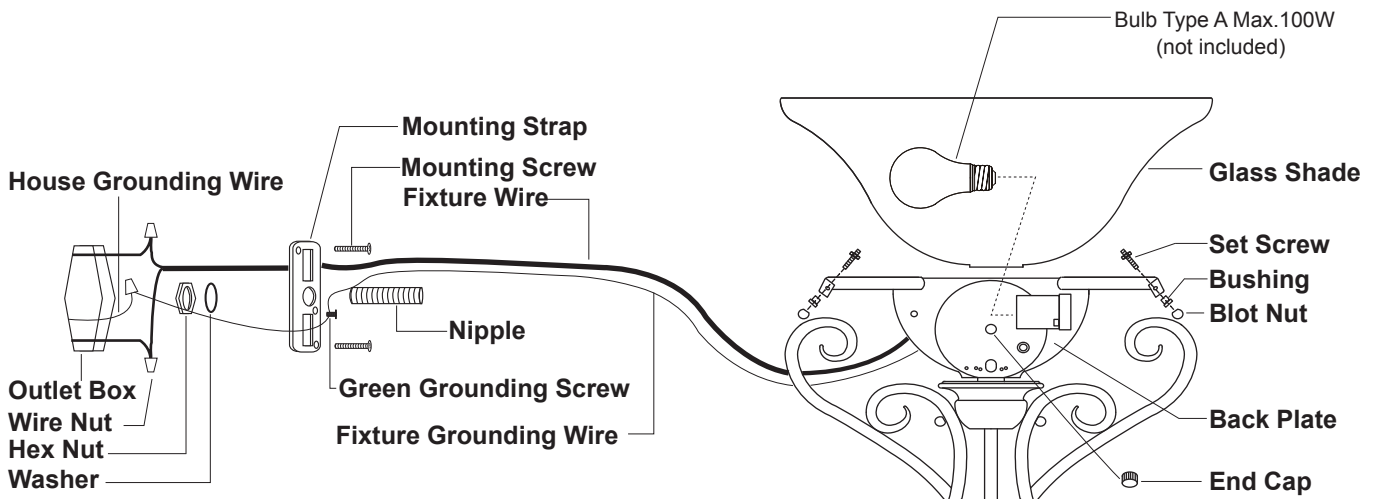
**WARNING: BE SURE TO SHUT OFF POWER AT THE MAIN FUSE OR CIRCUIT BREAKER BOX BEFORE INSTALLING OR SERVICING THIS FIXTURE.**

**NOTE: Before installing, consult local electrical codes for wiring and grounding requirements.**



## Option 1:

1. Place the back plate to a proper position, then fasten it to the wall by using dry wall screws.  
Note: The fixture should be vertical.
  - a) If the wall material is wood:  
Attach the back plate to the wall, then secure the dry wall screws through the set holes to the wall.
  - b) If the wall material is cement:  
Place the back plate to the wall and mark the target on the wall from the set hole for drilling two holes. Remove the back plate. Drill the holes and thread the anchors into the holes, then attach the back plate to the wall, secure the dry wall screws through the set holes into the anchors. (See Fig.1)
2. Loosen the screws and remove the cap from the plate. Then attach the plate on the fixture to the wall.  
Note: The fixture should be vertical.
  - a) If the wall material is wood:  
Attach the plate on the fixture to the wall, then secure the dry wall screws through the set holes to the wall.
  - b) If the wall material is cement:  
Place the plate on the fixture to the wall and mark the target on the wall from the set hole for drilling two holes. Remove the plate. Drill the holes and thread the anchors into the holes, then attach the plate to the wall, secure the dry wall screws through the set holes into the anchors. (See Fig.2)
3. Attach the cap back to the plate and secure it with the screws. (See Fig.2)
4. Screw two set screws to the back plate. Attach the glass shade to the back plate by inserting the set screws, then secure them with the bushings and bolt nuts. (See Fig.3)
5. Install a bulb (not included). See relamping label at socket area or packaging for maximum allowed wattage.
6. Put the plug into the wall receptacle.



**Option 2:**

1. Cut off the plug cord if do not need it.
2. Attach the nipple to the mounting strap, then secure it with a washer and hex nut. Adjust the length of the nipple if necessary.
3. Attach the mounting strap to the outlet box by using two mounting screws.
4. Loosen the wire nuts and carefully dispart the fixture wires from the plug cord.
5. Pull out the outlet wires and the house grounding wire from the outlet box. Make wire connections using the wire nuts:
  - The black wire from the fixture to the black wire from the power source.
  - The white wire from the fixture to the white wire from the power source.
  - Attach the fixture grounding wire to the mounting strap with the green grounding screw. Then connect it to the house grounding wire with a wire nut.
 Carefully tuck the wires back into the outlet box .
6. Attach the back plate to the mounting strap by inserting the nipple, then secure it with the end cap.
7. Follow steps 2~5 as for Option 1.
8. Turn on the power at the main fuse or circuit breaker box.

