



G87103, G87203, G87303 Expressions Toy Box Assembly Instructions

For ages 2 and up. Adult assembly required.

⚠ WARNING

Small parts and sharp points may be present prior to assembly.

Care Instructions

To clean your product, use mild soap and water on a damp cloth. Do not use window cleaners or cleaning abrasives as they will scratch the surface and could damage the protective coating.

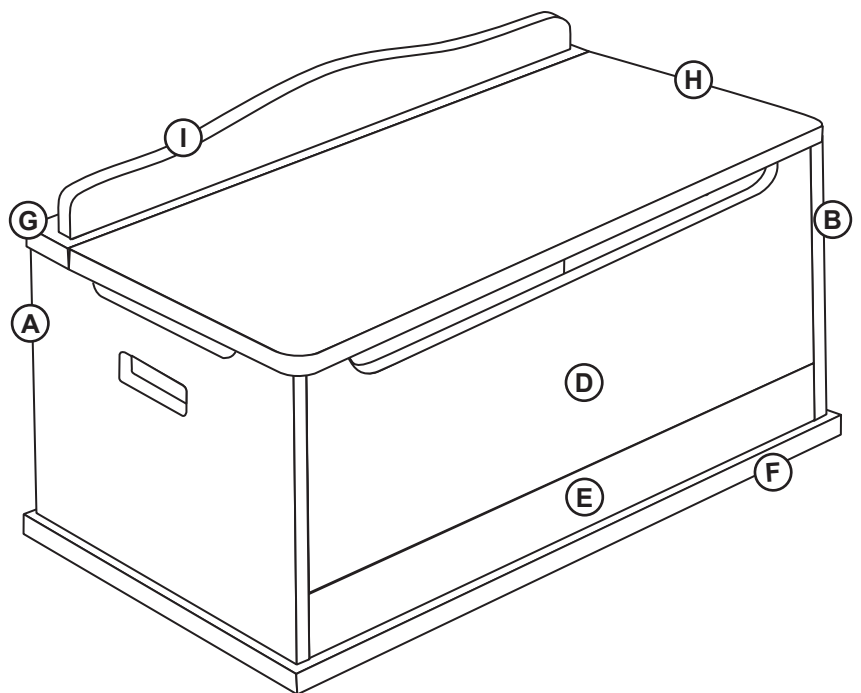
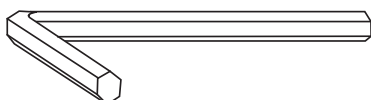
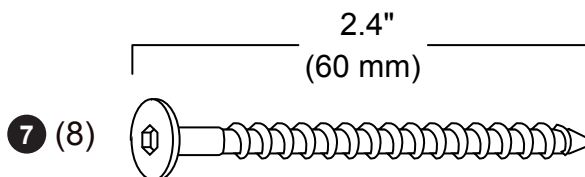
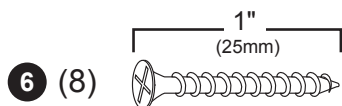
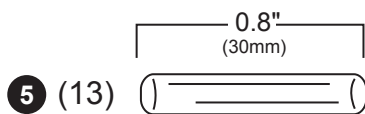
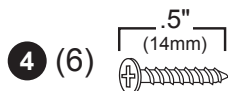
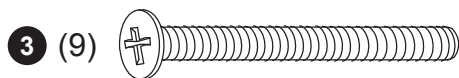
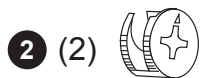
Customer Service

For questions regarding this product, or to receive replacement or missing parts, contact Customer Service at (800) 524-3555. Please have the model number and part number(s) located in this Assembly Instruction sheet available for reference.

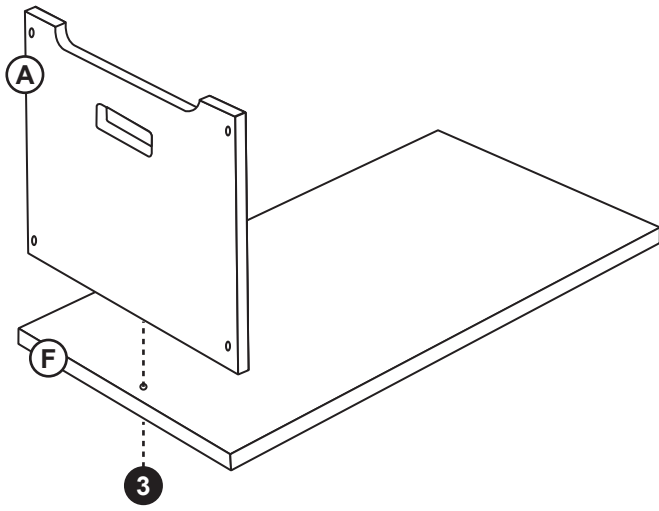
Limited Warranty

This Guidecraft product is warranted to the original purchaser at the time of purchase and for a period of one (1) year thereafter. In order to provide you with timely assistance, please thoroughly inspect your product for missing or defective parts immediately after opening the carton. To receive replacement or missing parts under this warranty, contact Customer Service. You will also need your sales receipt or other proof of purchase.

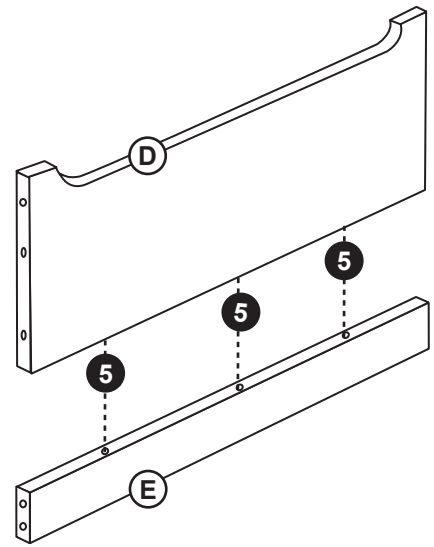
Hardware and Parts



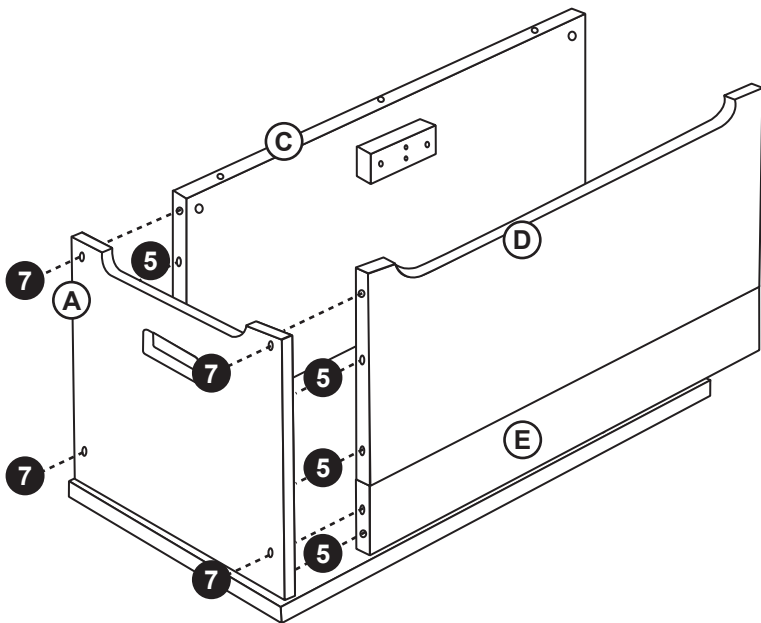
You will also need a Phillips-head screwdriver (not included).



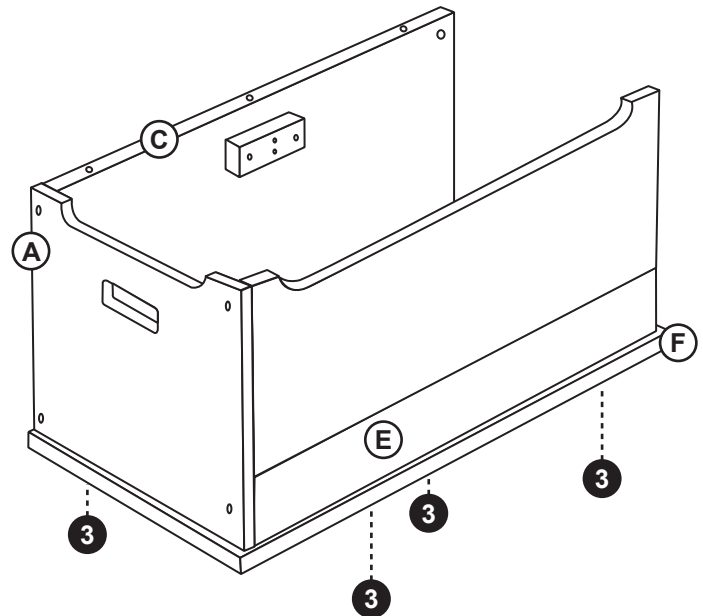
STEP 1



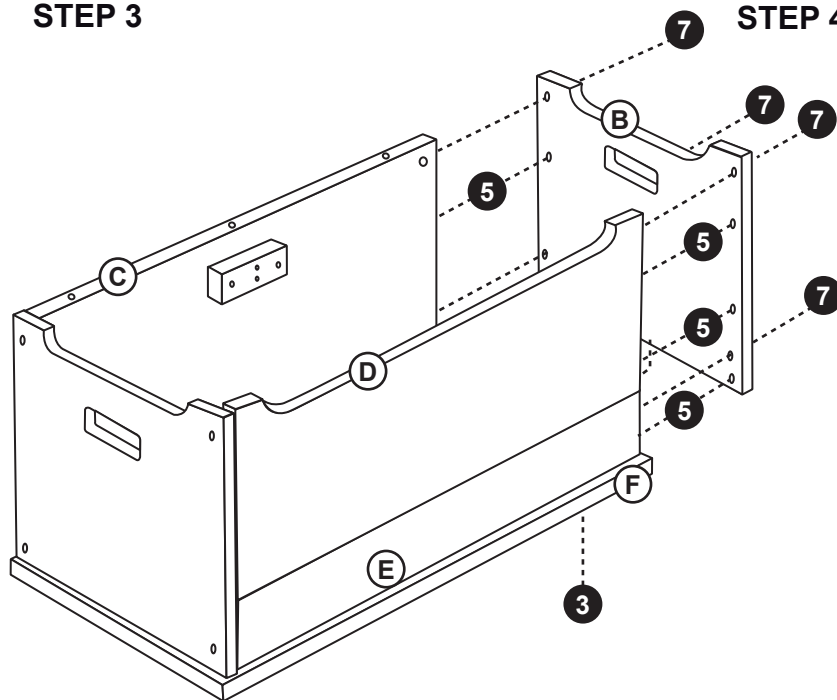
STEP 2



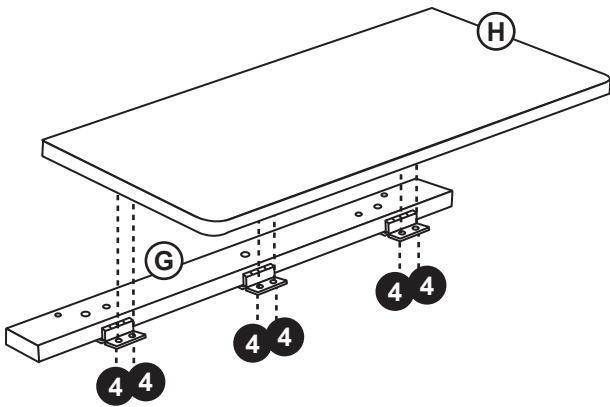
STEP 3



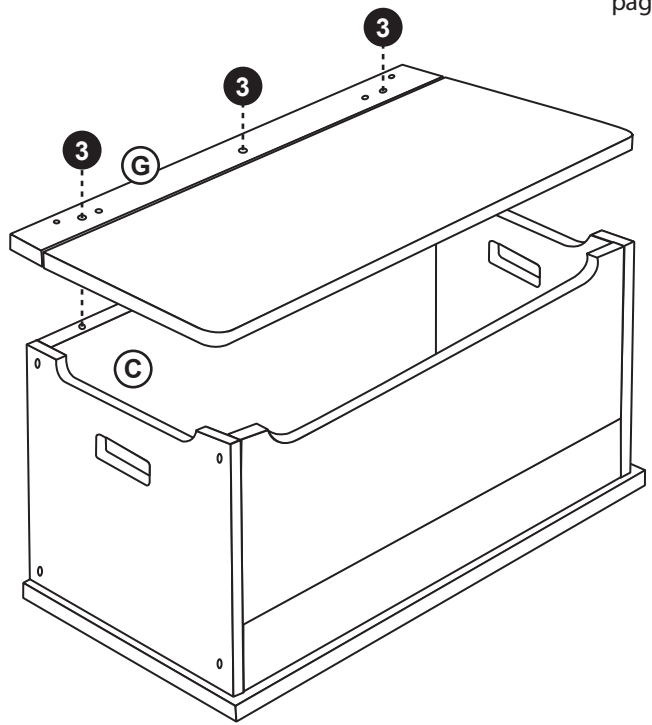
STEP 4



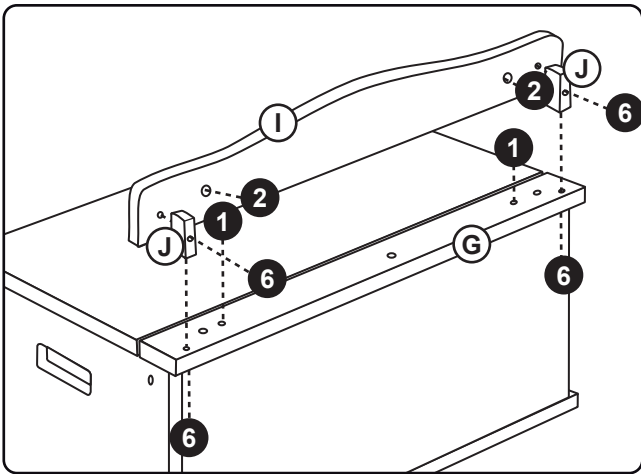
STEP 5



STEP 6



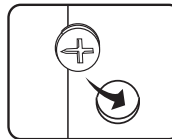
STEP 7



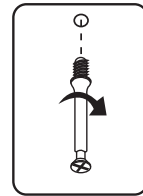
opposite side

STEP 8

Hardware Instructions

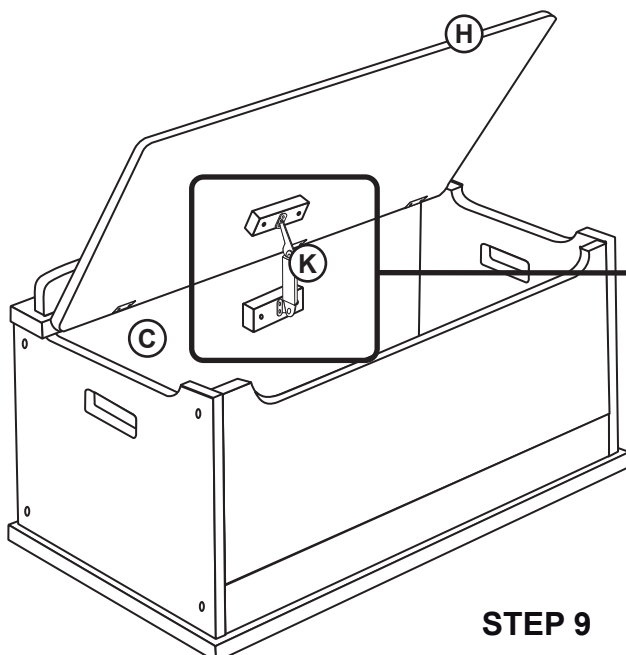


Place cam lock (2) in the appropriate hole located as shown.

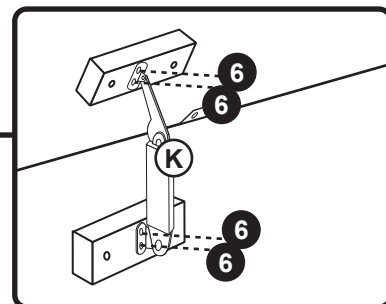


Using a philips-head screwdriver, screw in cam pin (1). Do not overtighten.

After joining cam pin (1) and cam lock (2), tighten cam lock (2) with a philips-head screwdriver for secure assembly.



STEP 9



WARNING

This unit is equipped with a special safety lid support. The lid support must be attached as indicated in the assembly instructions prior to use. The purpose of the safety lid support is to prevent injury to a child's fingers or other parts when opening and closing the lid. The safety lid support is functioning properly when the lid can be opened at any angle without dropping more than 1/2" inch (from its own weight), with the exception of the final 2 inches before reaching its closed position. This unit should not be used unless the safety lid support is properly attached and functioning properly.