

Fixed LED/LCD/Plasma Wall Mount



model
E40

Fits up to

80" / 203 cm

LED / LCD / Plasma



US

EU


132 lbs

60 kg

CAUTION - This Mount is intended for use only with the maximum weight as indicated. Using heavier products, might cause injury.




(A)




x1

(B)




x2

(C)




x5

(D)



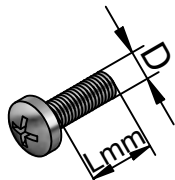
x5

(E)



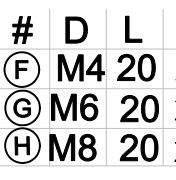
x9

(F)




x4

(G)




x4

(H)



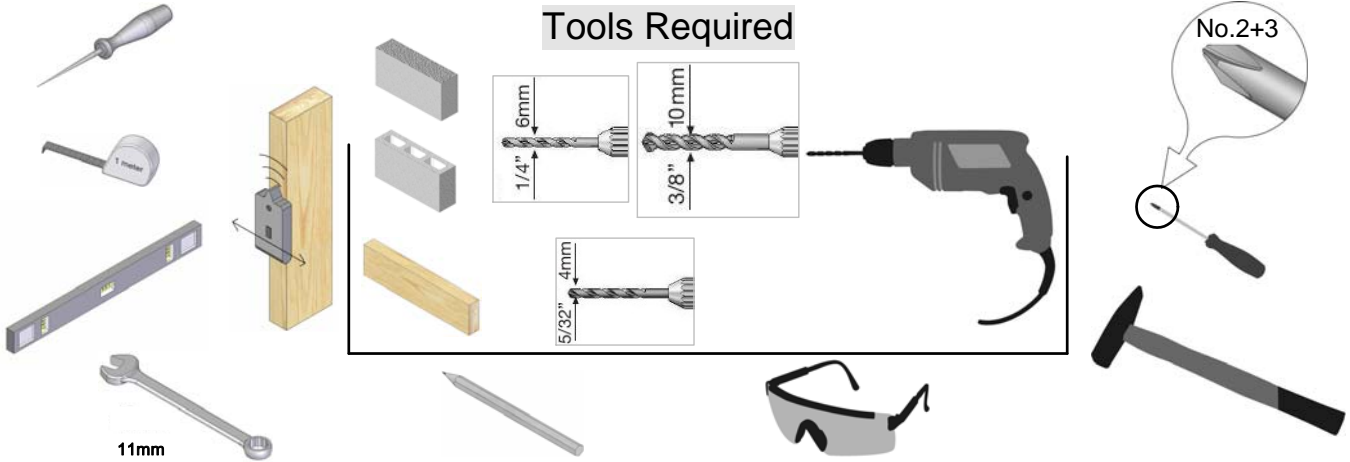
x4

(I)



x4


Tools Required



11mm

No.2+3

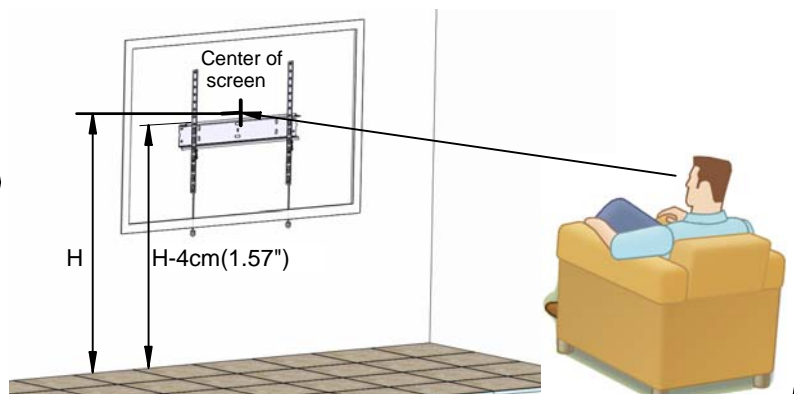
1



BACK OF SCREEN

Max 400mm/15.75"


Max 800mm/31.5"




Center of screen

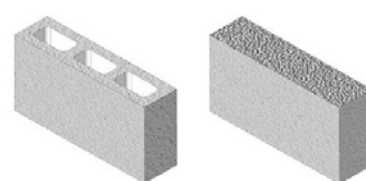
H

H-4cm(1.57")

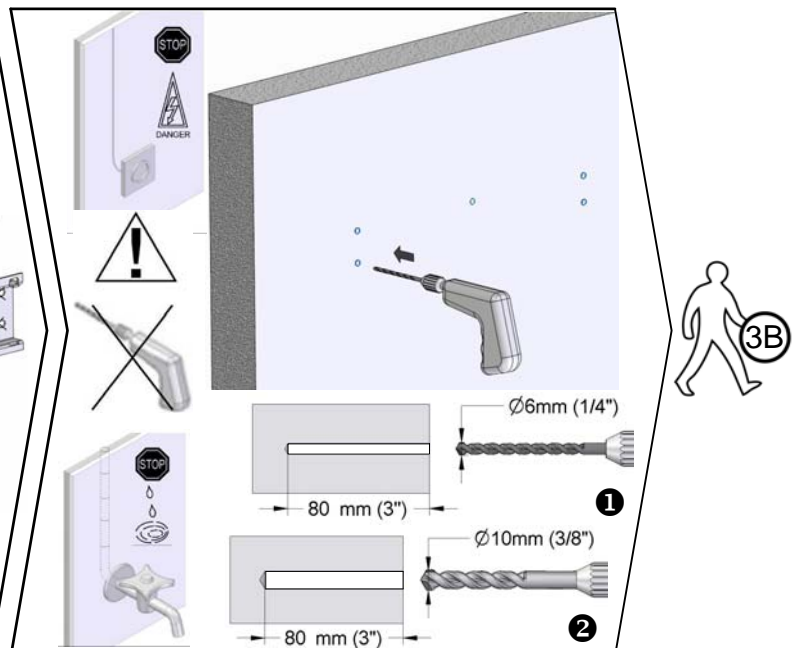
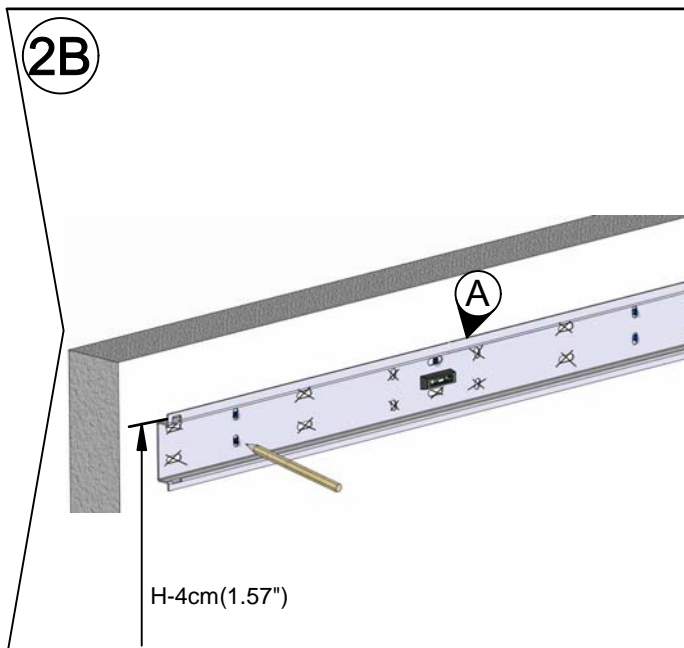
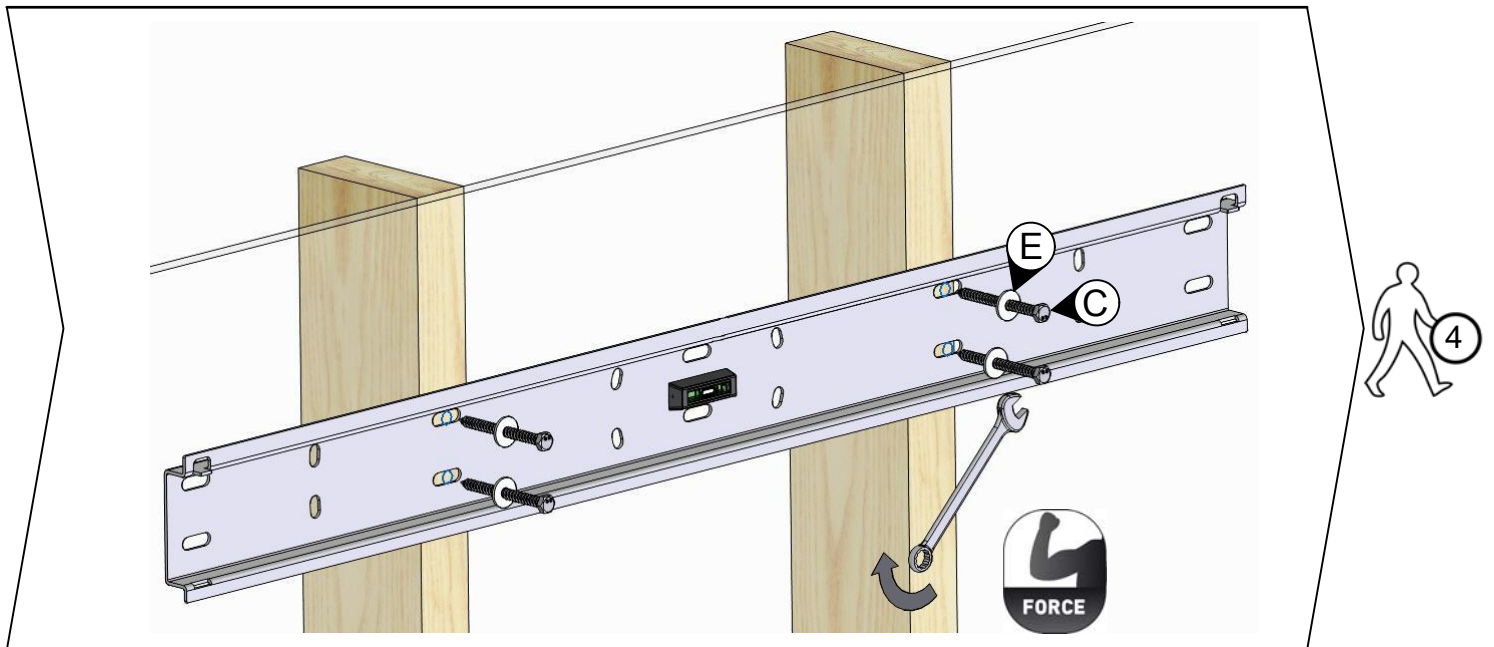
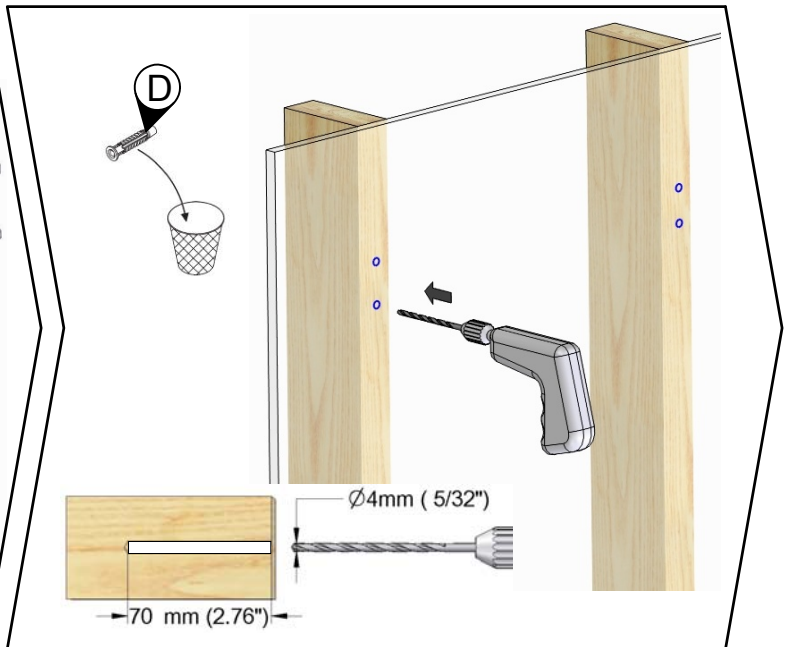
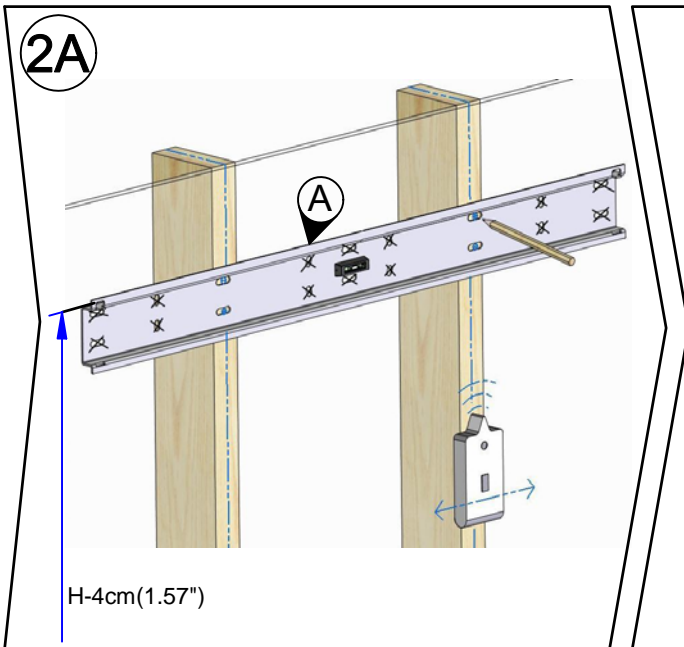


2A





2B



3B

The anchor must be sunk up to 10 mm (3/8") into the plaster coating

10mm (3/8")

Plaster Coating

D

E

C

FORCE

1

2

X Min 4 Max 9

x Min 2

4

4 Test!

50kg / 110lbs

H

E

I

FG

TV B

DIP

5

H

E

I

FG

TV B

DIP

5

