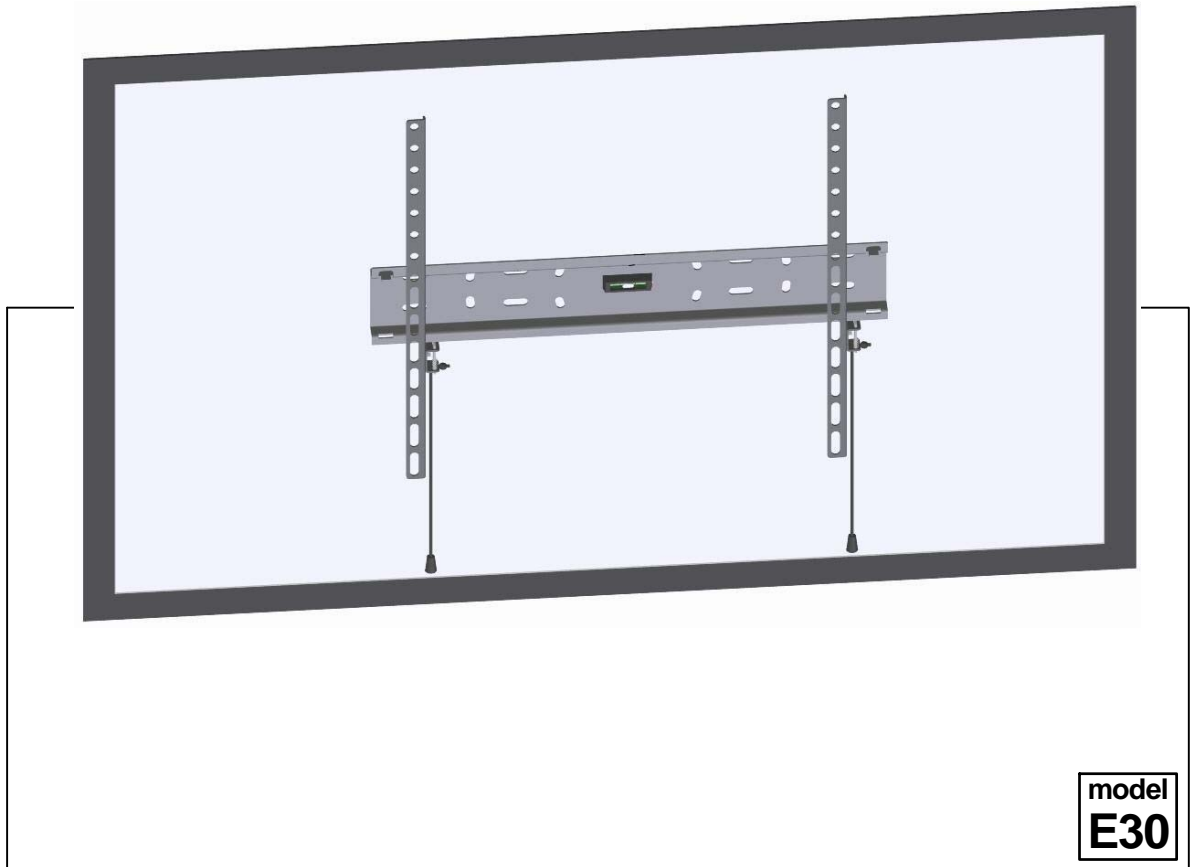


# Fixed LED/LCD/Plasma Wall Mount




Fits up to <b>56" / 142 cm</b> LED / LCD / Plasma	 Max	
	US 110 lbs	EU 50 kg

**CAUTION** - This Mount is intended for use only with the maximum weight as indicated. Using heavier products, might cause injury.




**(A)**




x1

**(B)**




x2

**(C)**



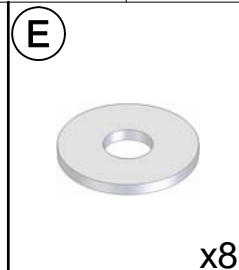
x4

**(D)**




x4

**(E)**



x8

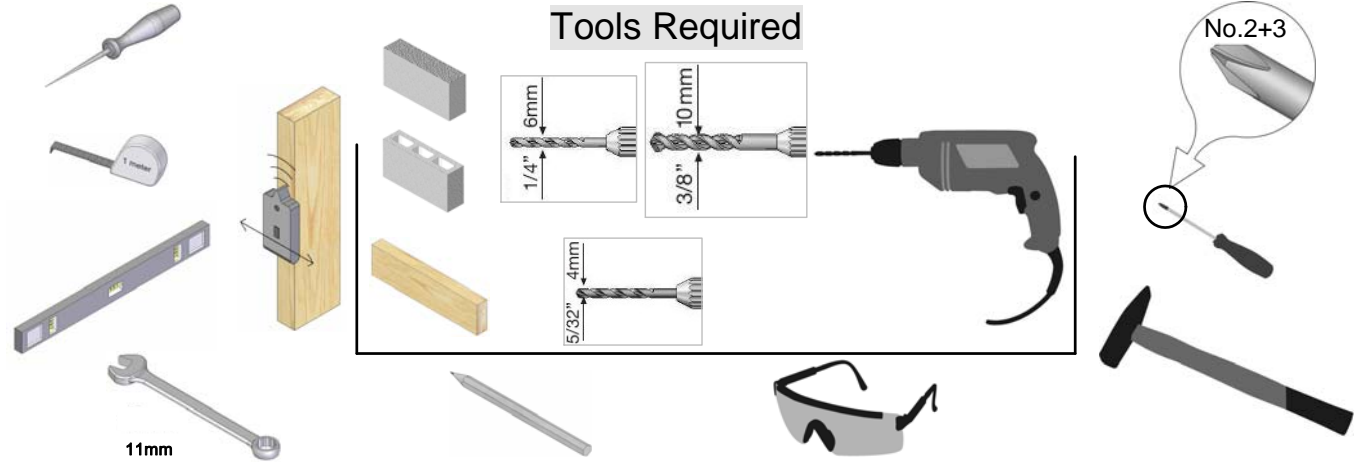
**(I)**



x4


#	D	L	=
(F)	M4	20	x4
(G)	M6	20	x4
(H)	M8	20	x4

**Tools Required**



11mm

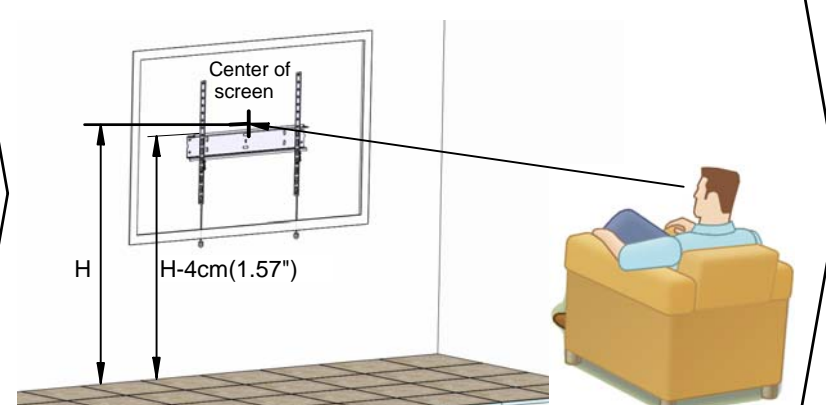
**1**



**BACK OF SCREEN**

Max 400mm/15.75"


Max 400mm/15.75"




Center of screen

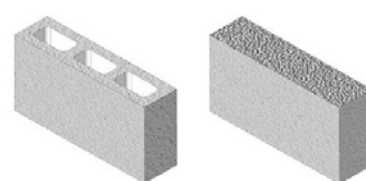
H

H-4cm(1.57")

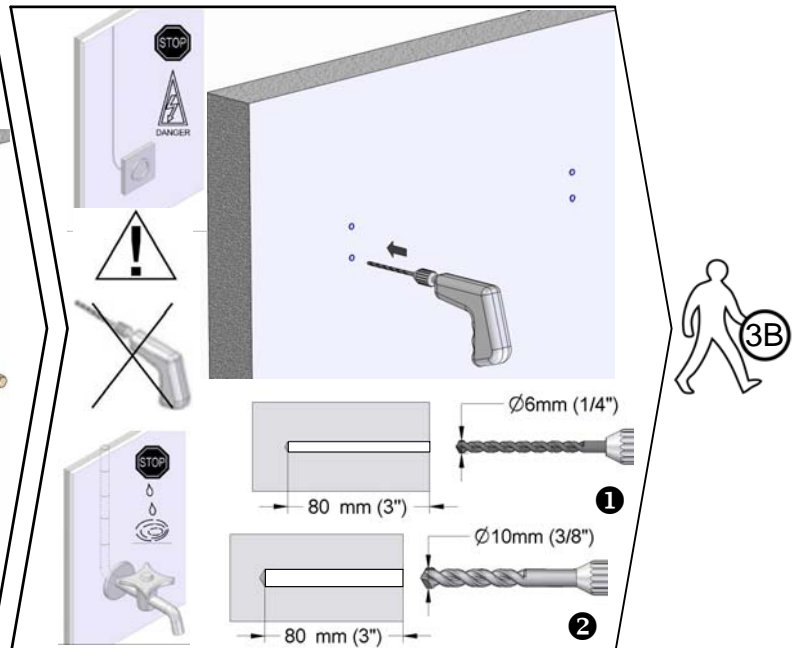
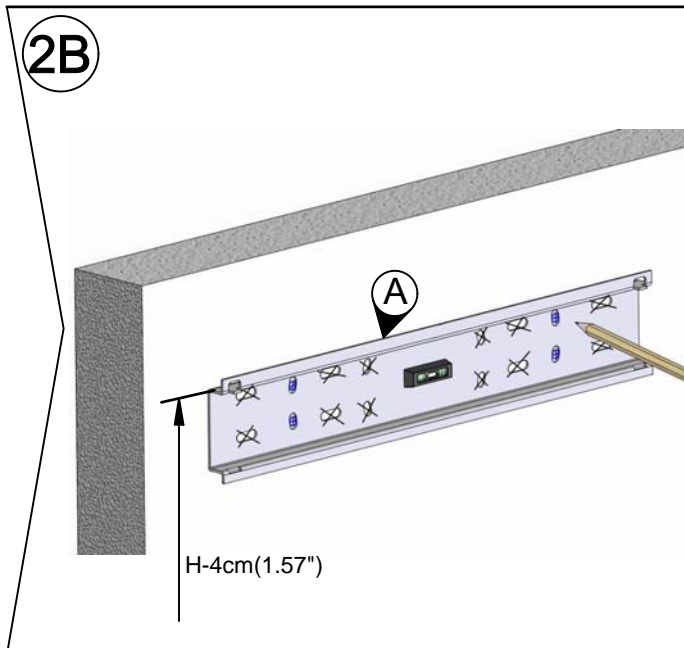
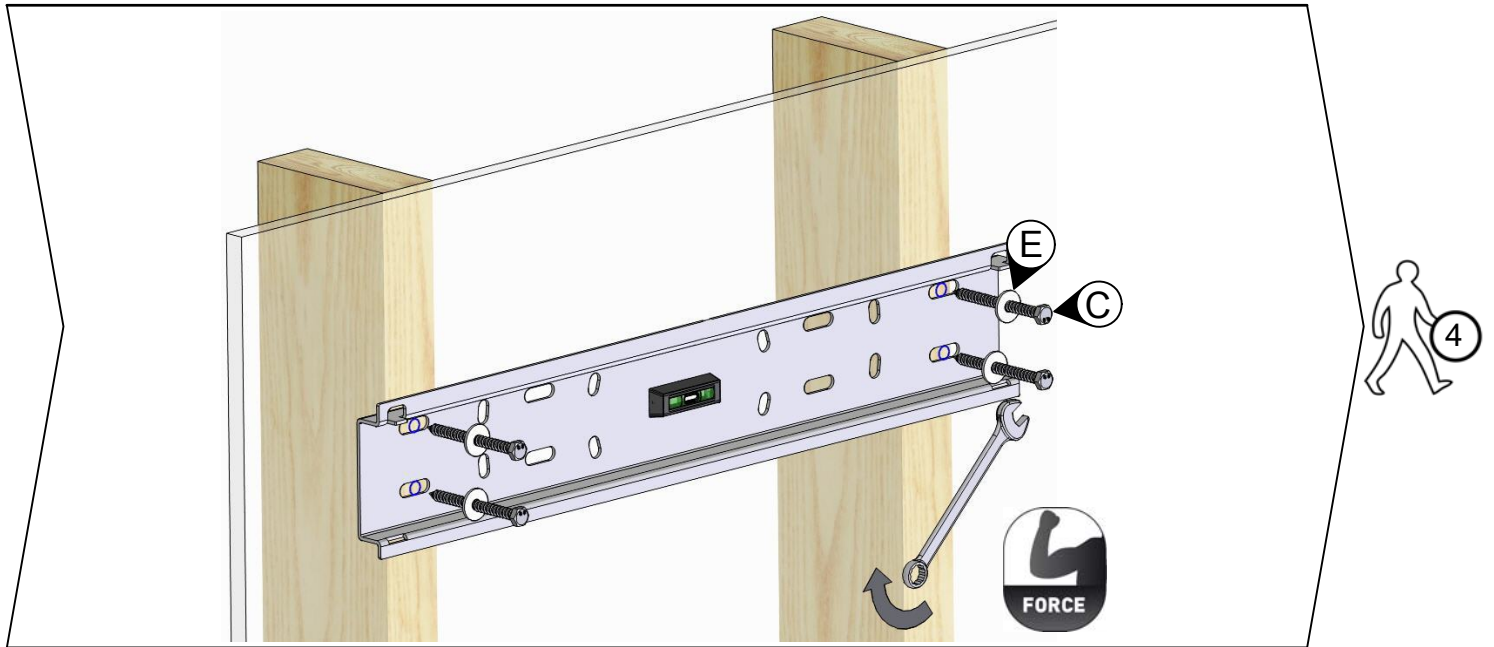
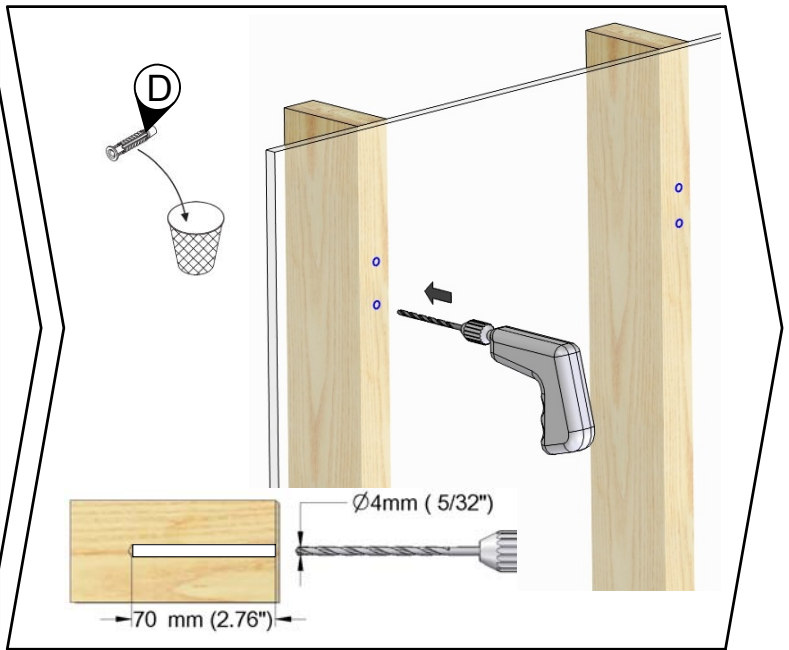
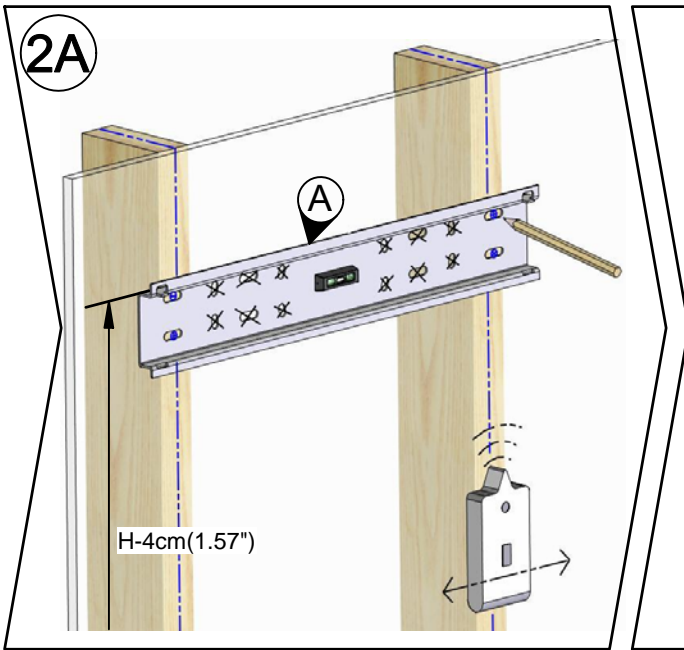


**(2A)**





**(2B)**



**3B**

The anchor must be sunk up to 10 mm (3/8") into the plaster coating

10mm (3/8")

Plaster Coating

**D**

**E**

**C**

**FORCE**

**1**

**2**

**X Min 4 Max 9**

**x Min 2**

**4**

**4 Test!**

50kg / 110lbs

**H**

**FG**

**E**

**I**

**TV**

**B**

**DIP**

**5**

**H**

**FG**

**E**

**I**

**TV**

**B**

**DIP**

**5**

