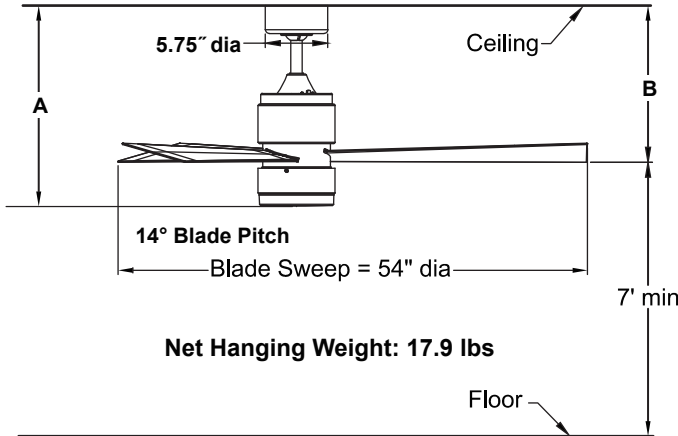




ZONIX™

FP4650
54" Ceiling Fan**



	A	B
Fan w/6" downrod	18.50"	14.43"
Fan w/12" downrod	21.40"	18.90"
Fan w/18" downrod	27.40"	24.90"
Fan w/24" downrod	33.40"	30.90"
Fan w/36" downrod	45.40"	42.90"
Fan w/48" downrod	57.40"	54.90"
Fan w/60" downrod	69.40"	66.90"
Fan w/72" downrod	81.40"	78.90"

INSTALLATION REQUIREMENTS:

Fan must be attached to a securely anchored electrical junction box capable of withstanding a load of at least 50 lbs.

ELECTRICAL REQUIREMENTS:

Requires a grounded electrical supply line of 120 volts AC, 60 Hz, 15 amp circuit.

MOTOR SPECS:

153 x 18 motor is designed for optimal performance with this fan.

BLADE SETS:

A set of three 26" reversible plastic blades is included.

CONTROL OPTIONS:

TR24WH hand-held remote control with wall mount is included. Push button remote control has 3 fan speeds, infinite light levels and off button. Optional CW1, CW1SW, CW2, CW5 and CWRL4 wall controls and CRL4WH and CRL8TS remote controls with receiver unit are available—sold separately. Instructions are provided with each control.

LIGHTING OPTIONS:

One 14-watt LED included.

DOWNROD OPTIONS:

Fan comes with a 1" dia. x 6" long downrod (DR1-6). Optional downrods available in 12", 18", 24", 36", 48", 60" and 72" lengths. A downrod coupler is available for installations requiring a downrod longer than 72". Fan can be mounted on a sloped ceiling up to 30°. Most sloped ceiling installations require a downrod longer than the standard 6" downrod. Optional sloped ceiling ball kits (SCB1-52) are available for slope angles greater than 30° and up to 52°. Optional close-to-ceiling kit is available as well-sold separately. Call technical support for more information.

LOCATION USE:

Fan is rated for dry or damp locations.

Available Finishes	
OB	Oil-rubbed Bronze with Walnut Blades and Opal Frosted Glass
BN	Brushed Nickel with Brushed Nickel Blades and Opal Frosted Glass

Airflow / Energy Efficiency Info (120V)					
Fan Speed	Max RPM	CFM	CFM / Watts	Amps	Watts
High	130	4436	79	0.44	57
Med	92	3012	104	0.31	29
Low	66	2123	125	0.22	17