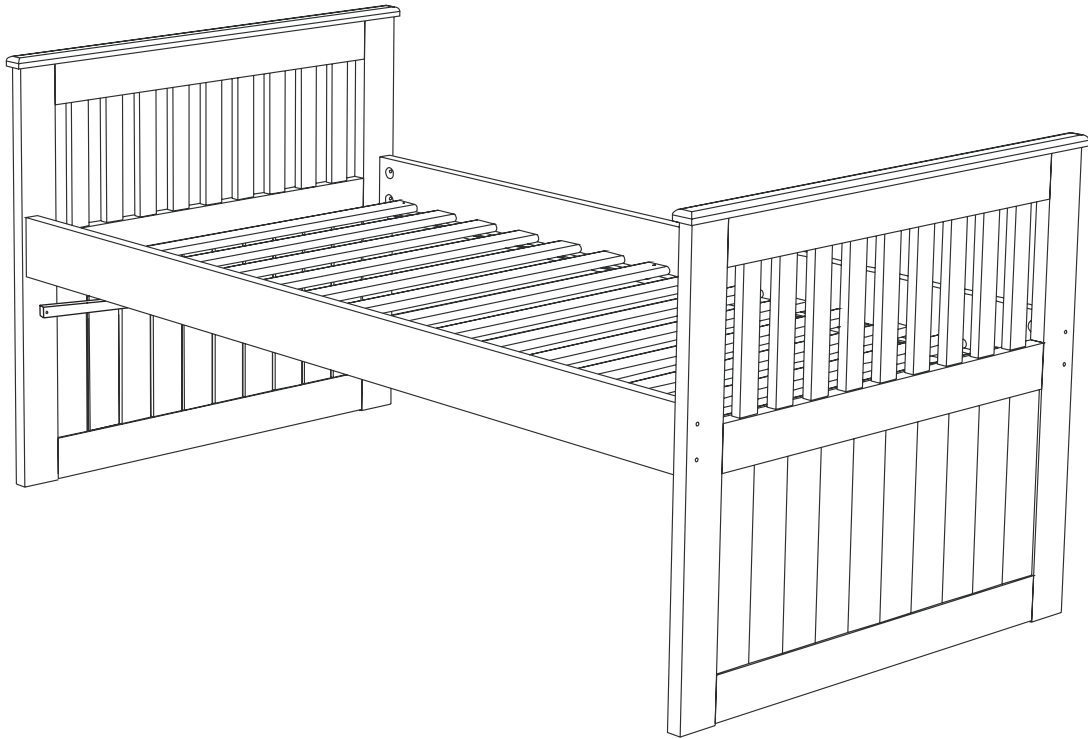
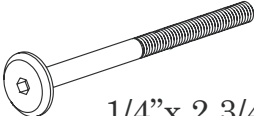
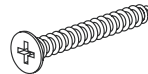
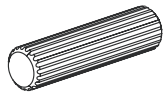

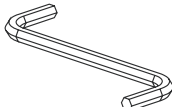




1035-2135-2835-7035 RAKE BED

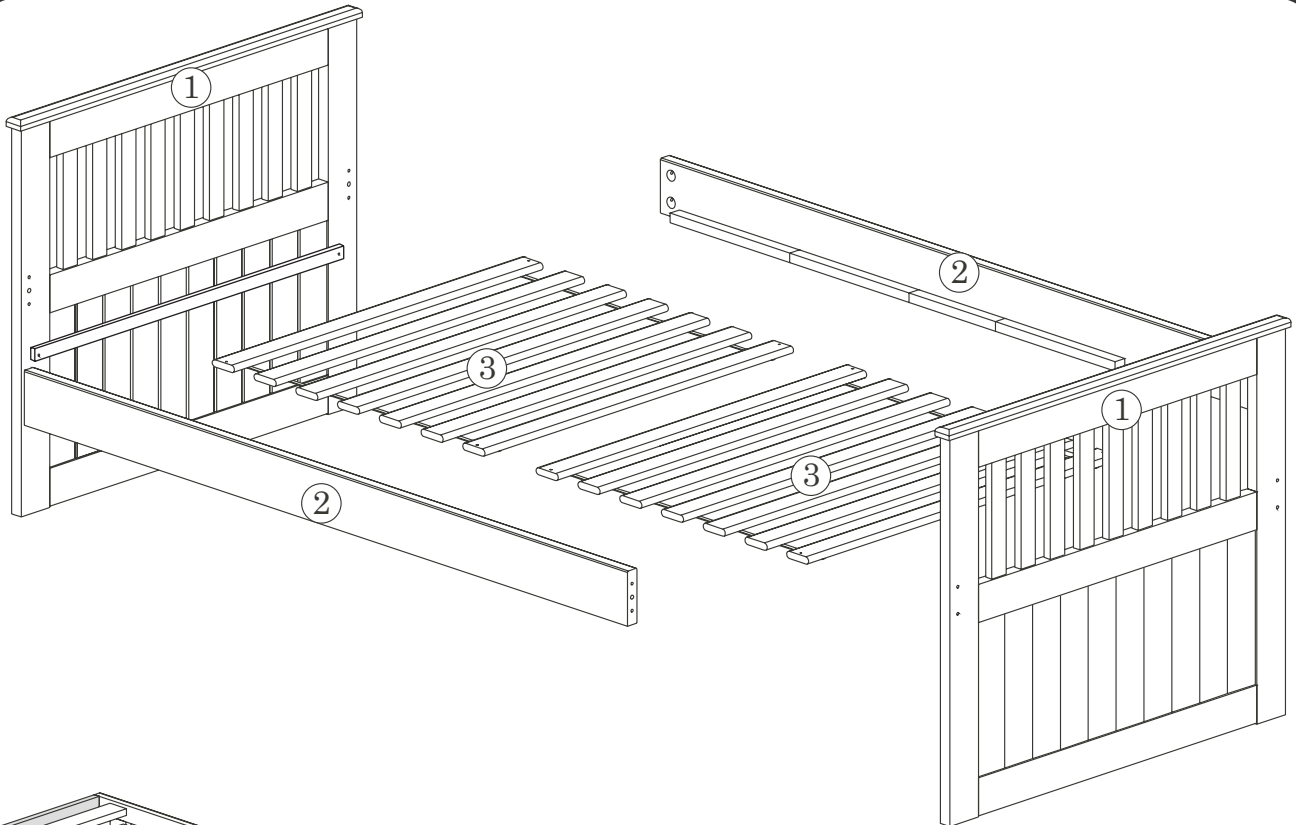


| | | |
|---|---|----|
| A |  $1/4'' \times 2 \ 3/4''$ | 08 |
| B |  $1 \ 3/8''$ | 06 |
| C |  $2''$ | 04 |
| D |  | 08 |
| E |  | 01 |

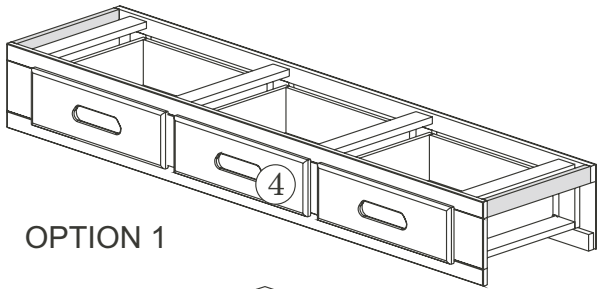
Replacement Parts & Limited Lifetime Warranty

Discovery World Furniture will replace any component part free of charge for 1 full year via UPS freight collect. In addition, Discovery World Furniture will replace any component part for 50% of the then prevailing retail price plus freight for the lifetime of the product, unless the product has been discontinued from our line. For service, mail your request to: Discovery World Furniture 915 Cornwall Rd, Sanford, FL 32773.

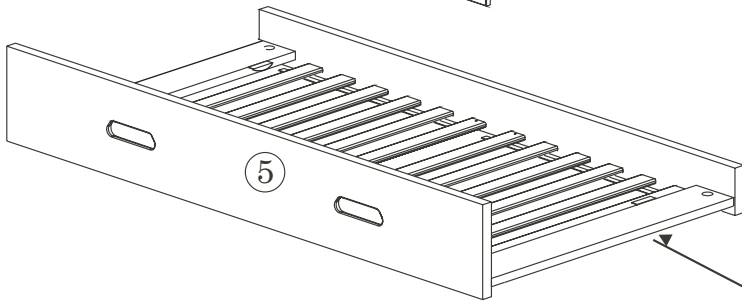
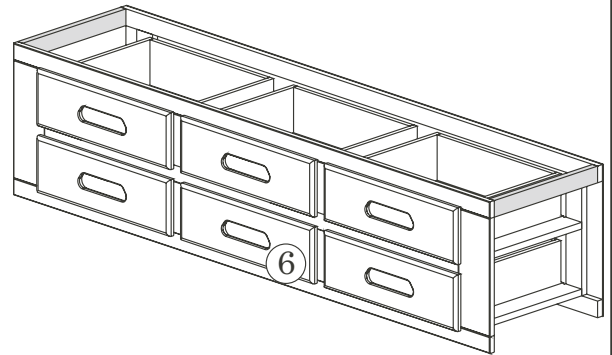
Website www.discoveryworldfurniture.com



OPTION 2

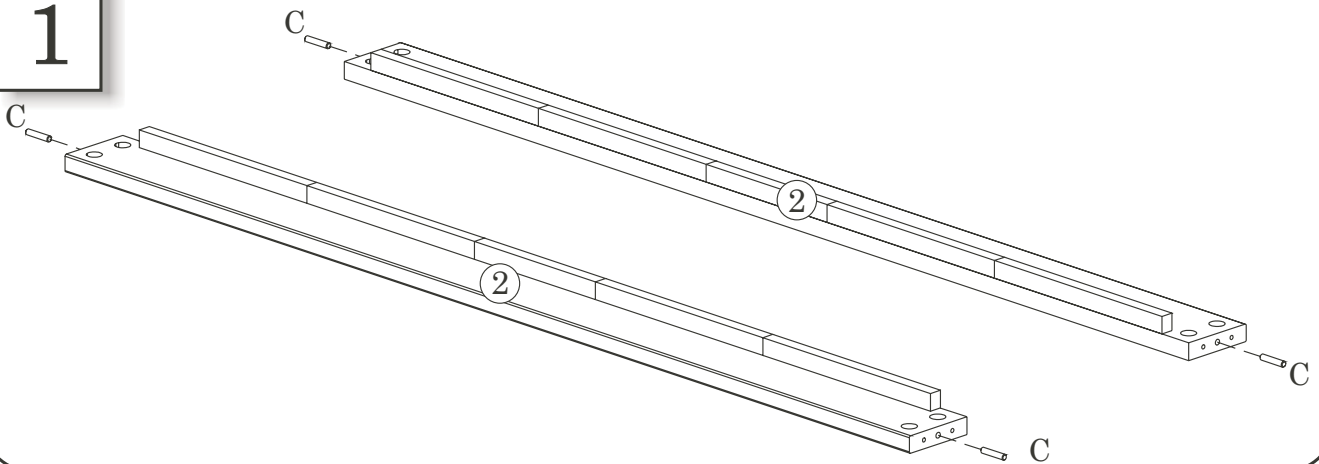


OPTION 1

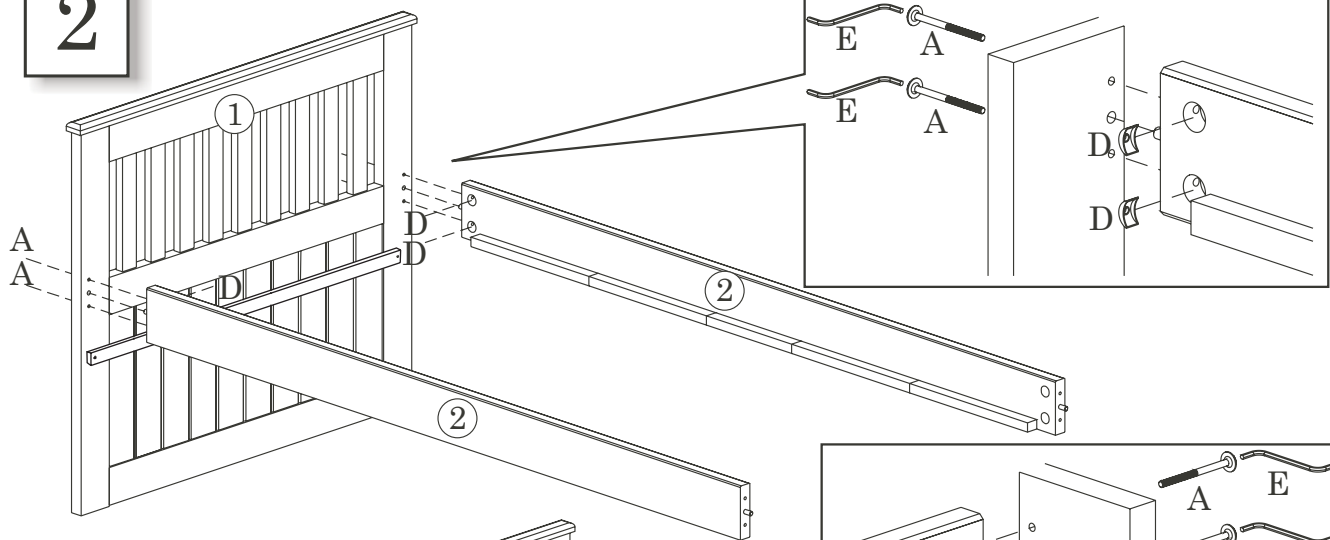


"Trundle Assembly Instructions
in Trundle Box".

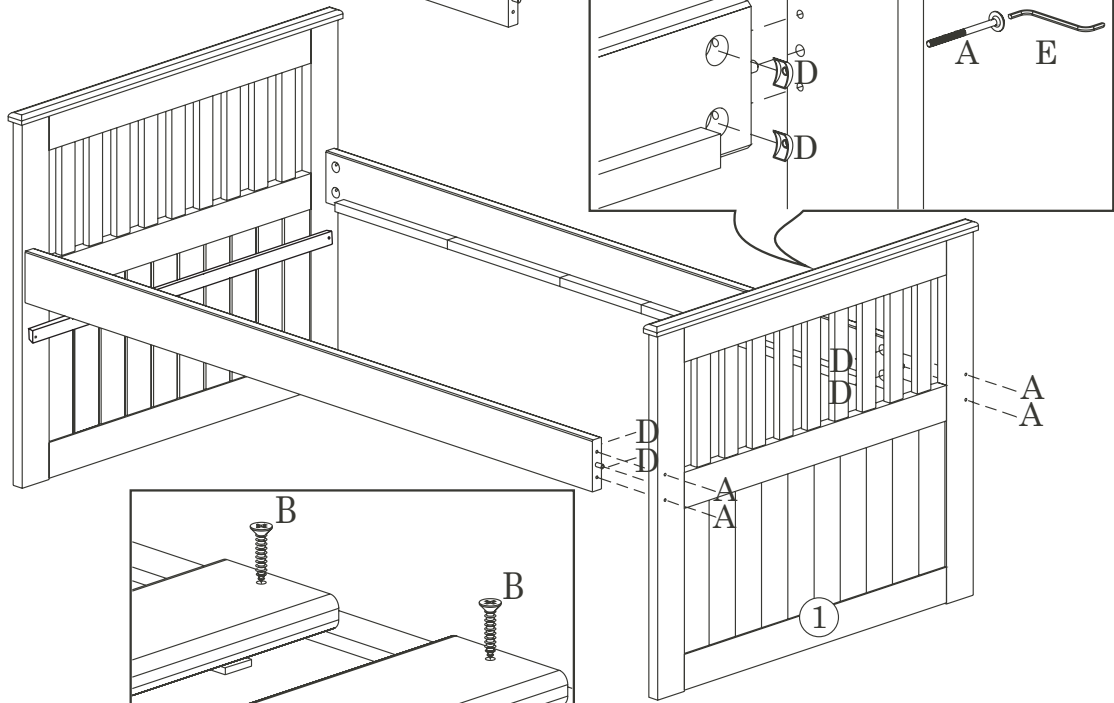
1



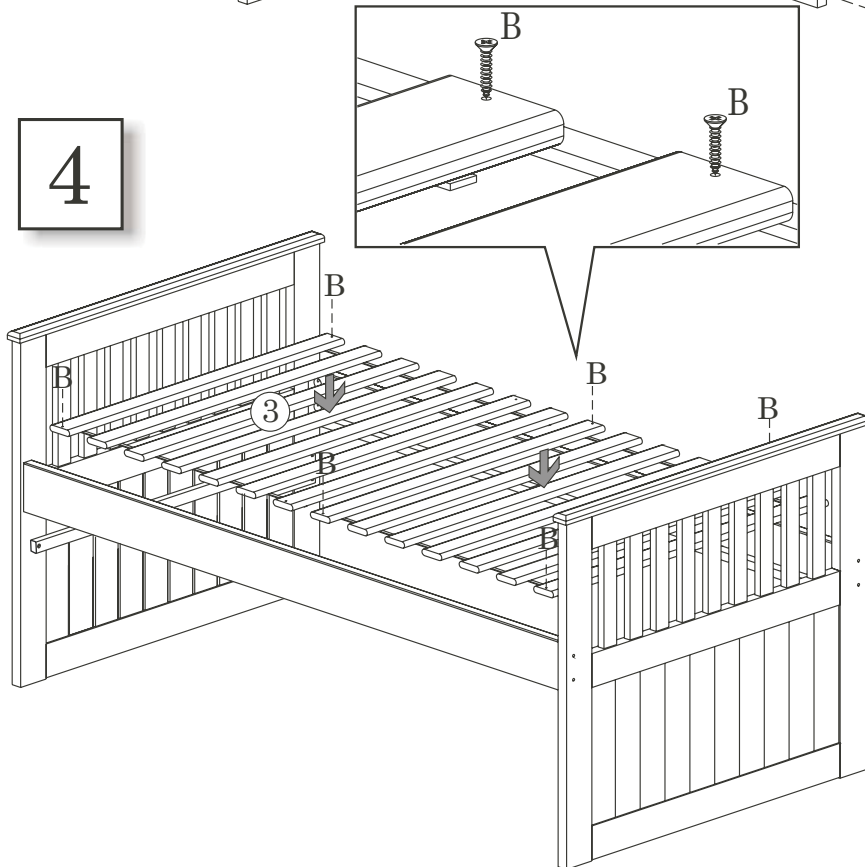
2



3

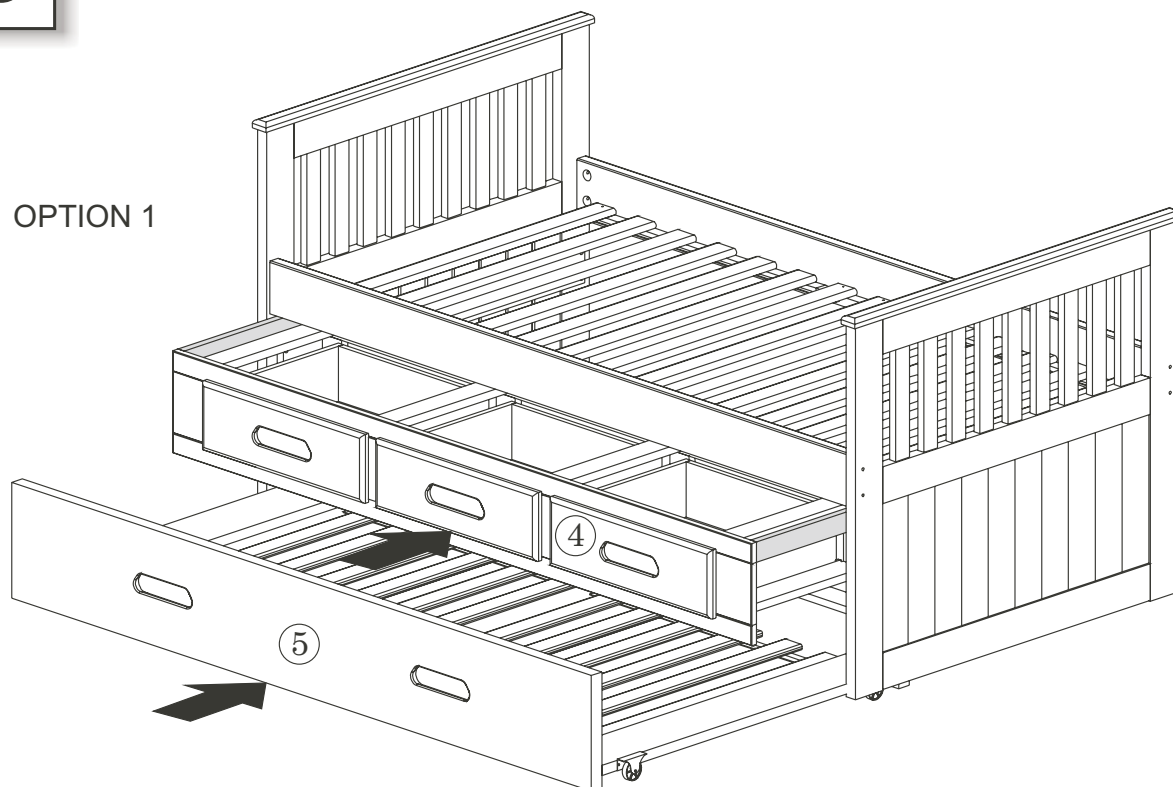


4



5

OPTION 1



OPTION 2

