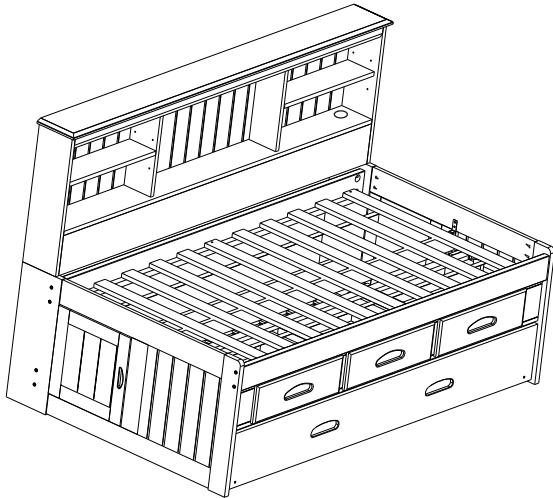
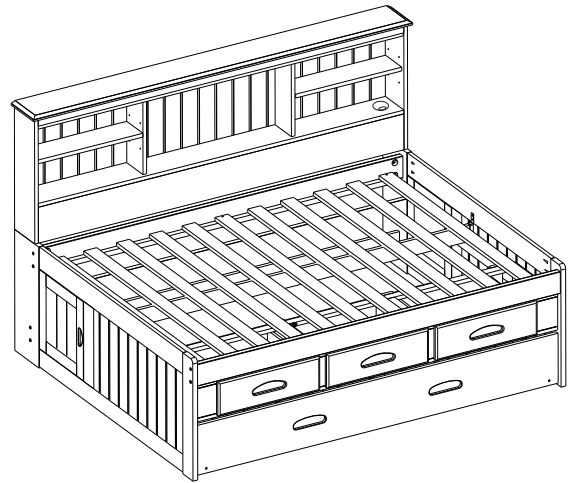





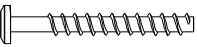


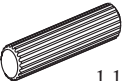
2122-2822
2123-2823

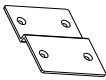
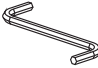





Twin



Full

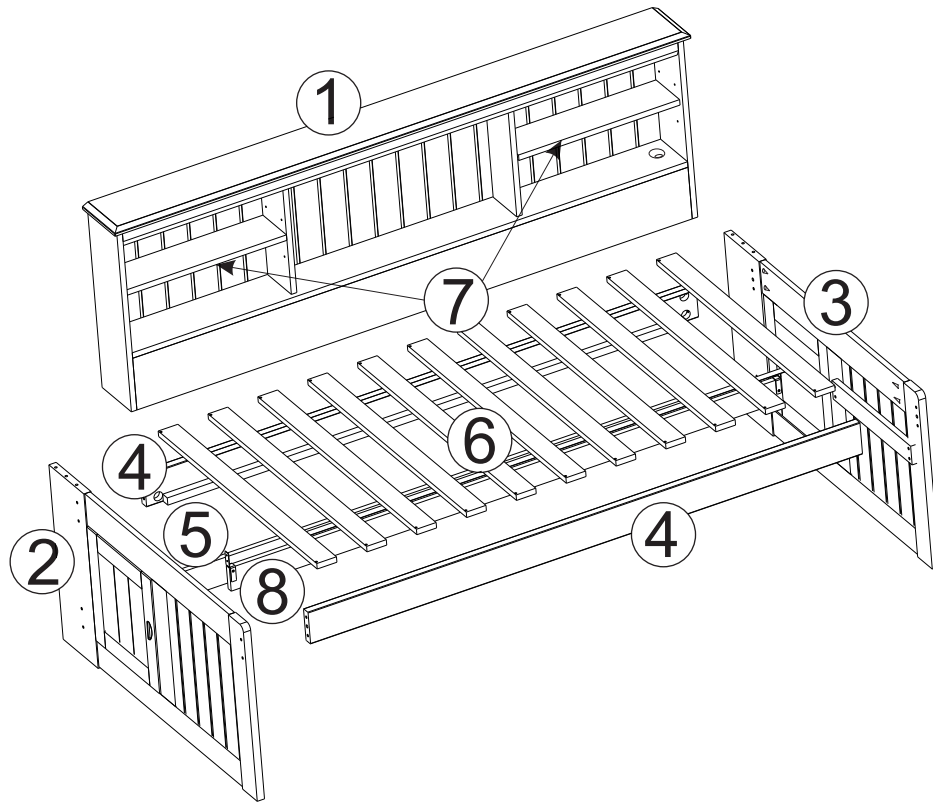
A	 1/4" x 2 3/4"	08
B	 2 1/2"	04
C	 1/2"	12
D	 1 1/2" x 8mm	06
E	 1 1/2" x 10mm	06

F		02
G		01
H		08
I	 1 1/4"	06
J		08

Replacement Parts & Limited Lifetime Warranty

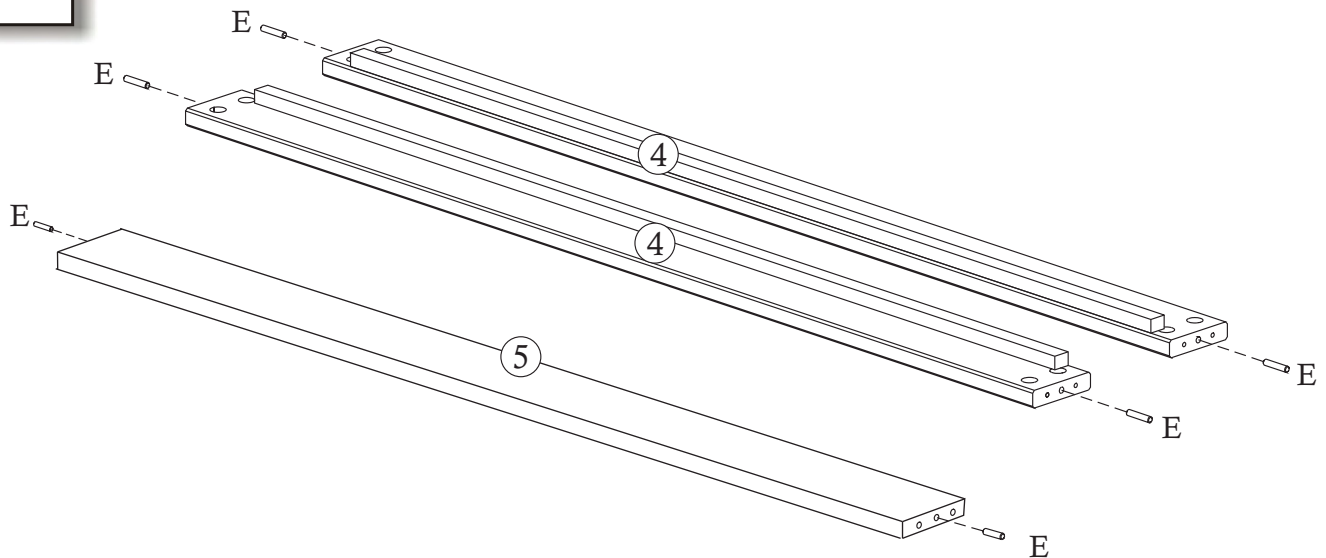
Discovery World Furniture will replace any component part free of charge for 1 full year via UPS freight collect. In addition, Discovery World Furniture will replace any component part for 50% of the then prevailing retail price plus freight for the lifetime of the product, unless the product has been discontinued from our line. For service, mail your request to: Discovery World Furniture 915 Cornwall Rd, Sanford, FL 32773.
Website www.discoveryworldfurniture.com

Parts List

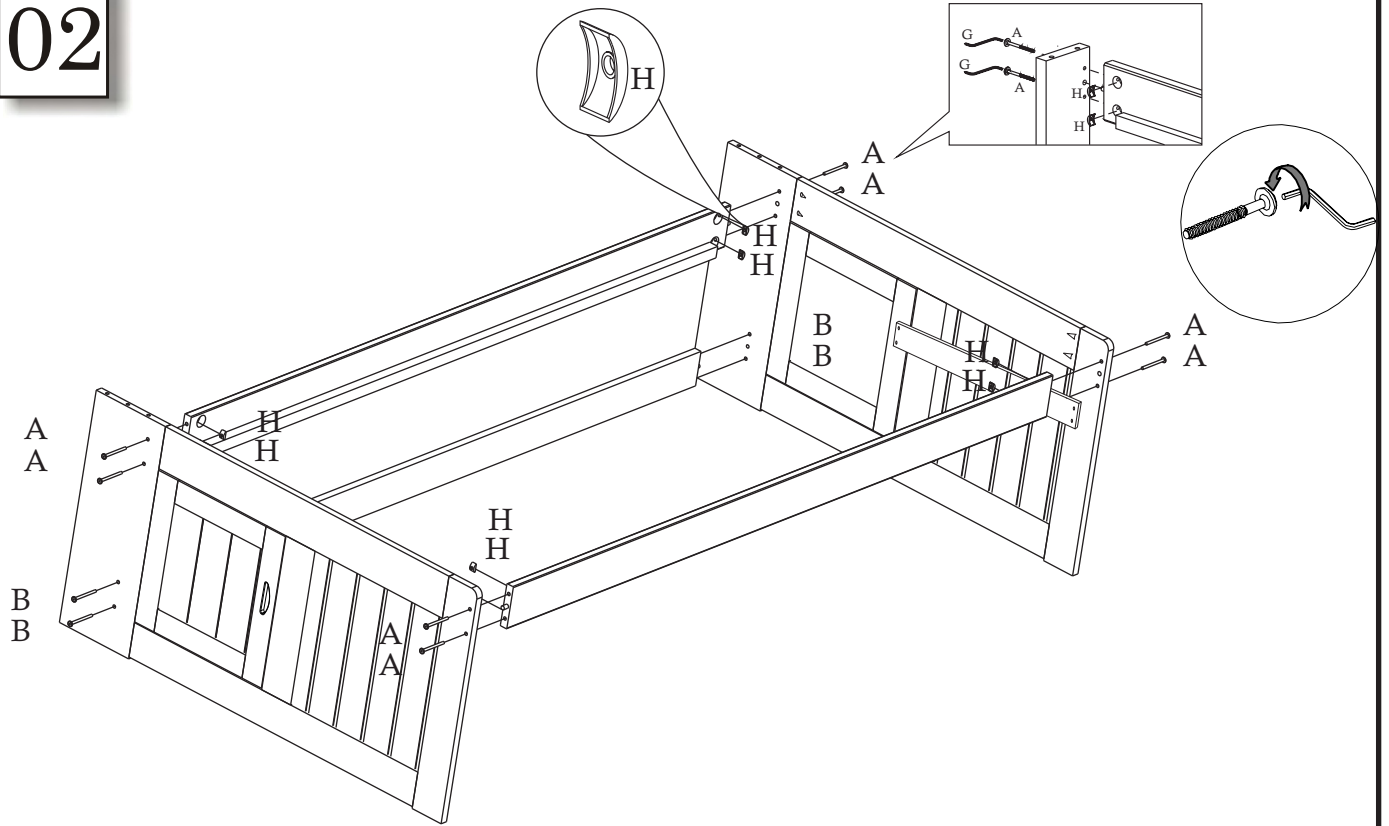


⑤ Back support

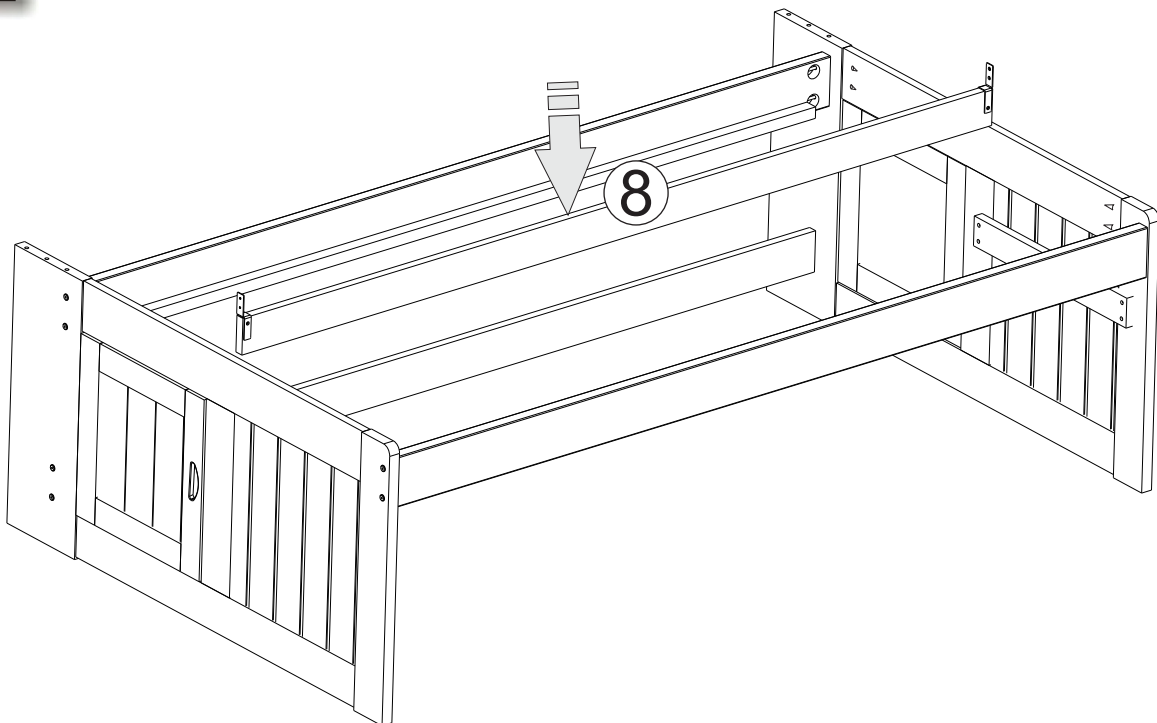
01



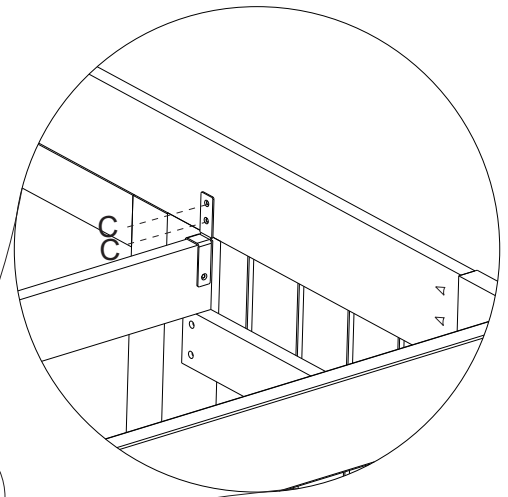
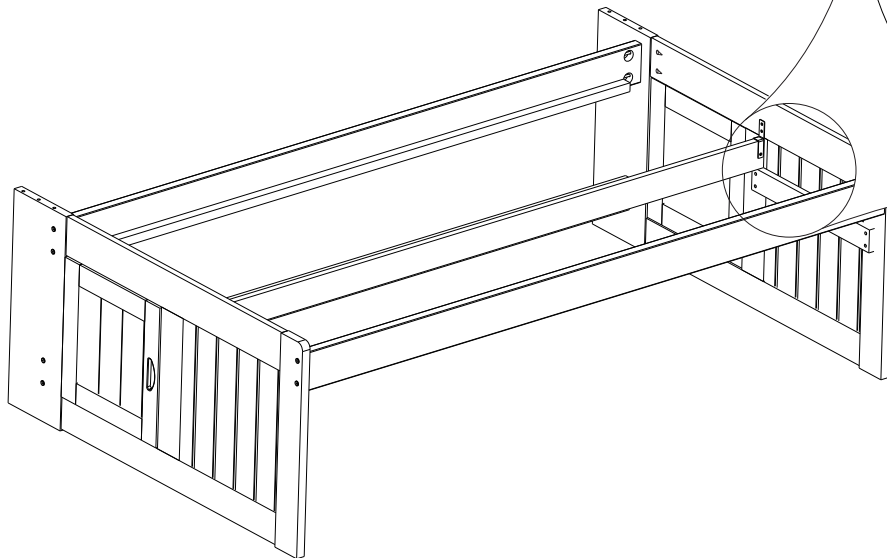
02



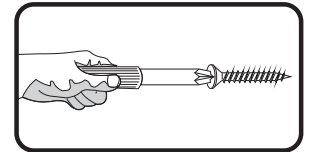
03



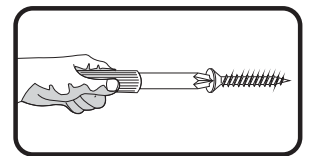
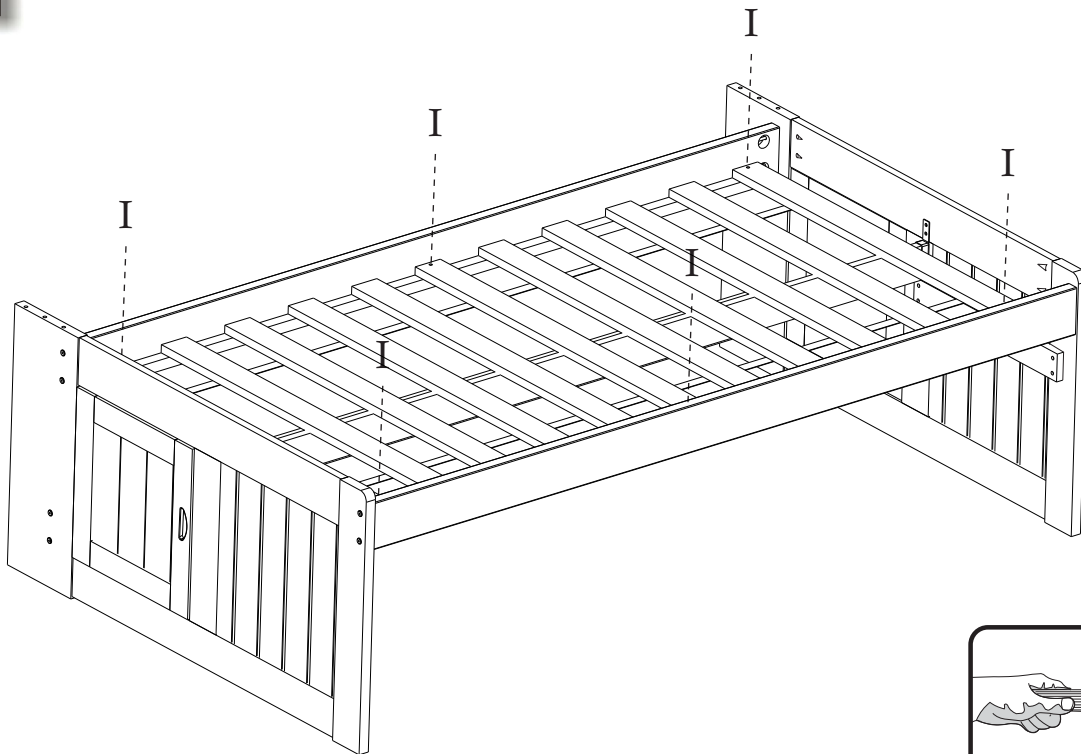
04



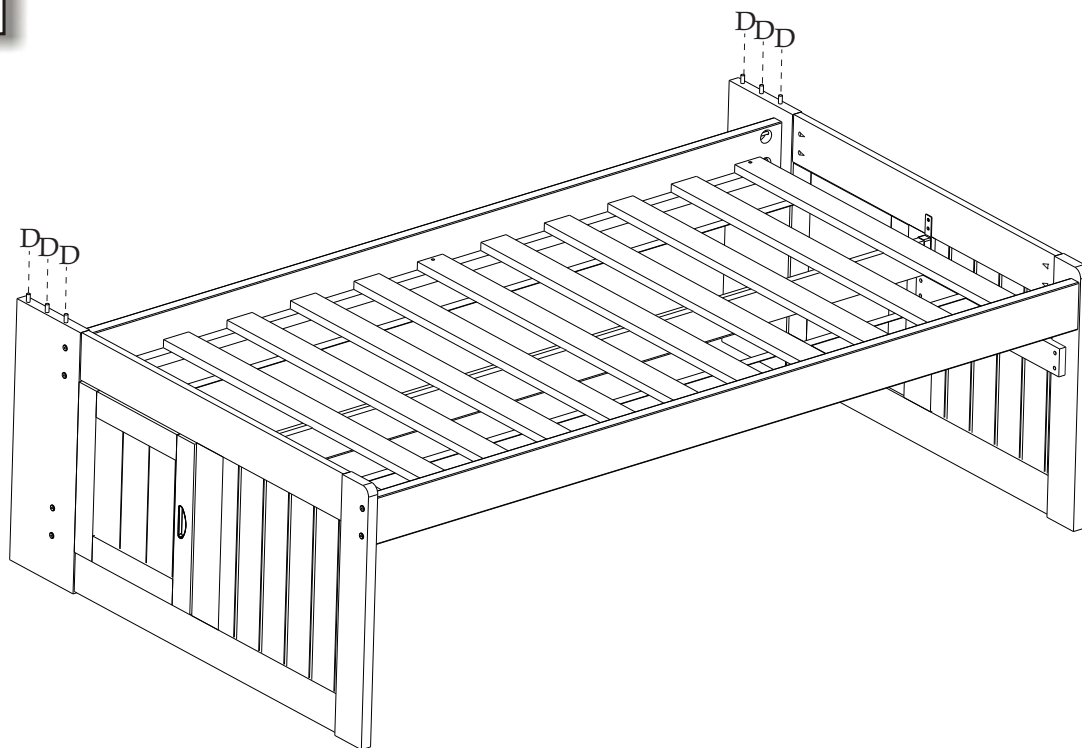
Repeat on both sides



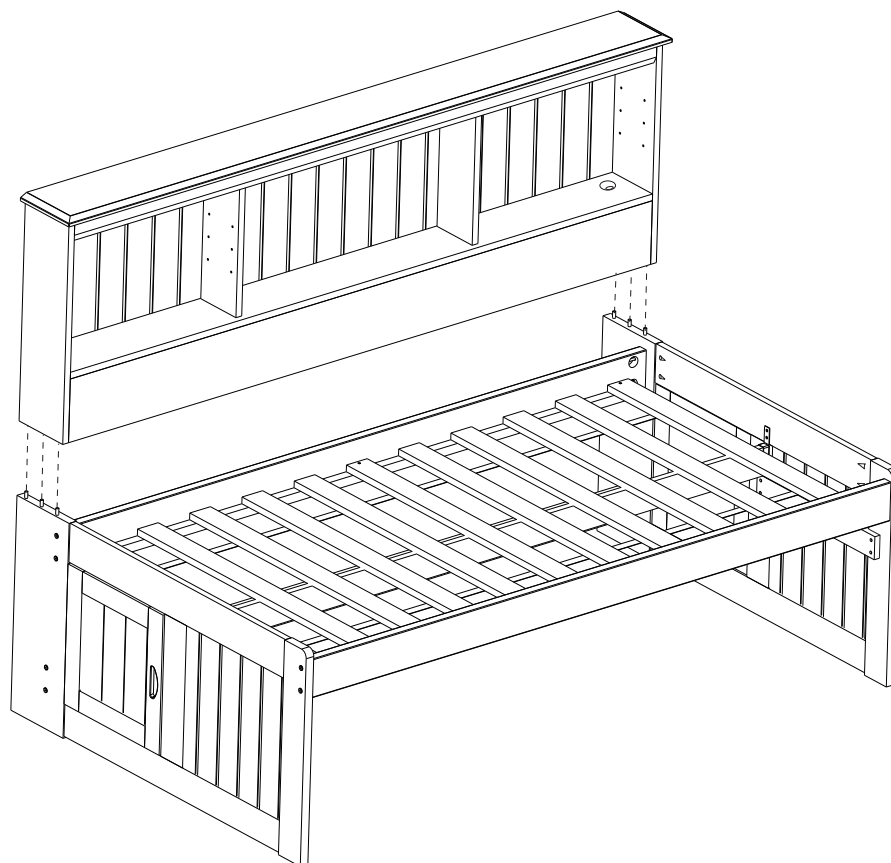
05



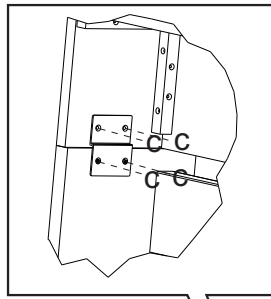
06



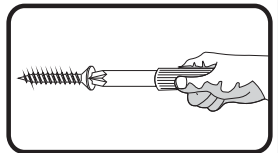
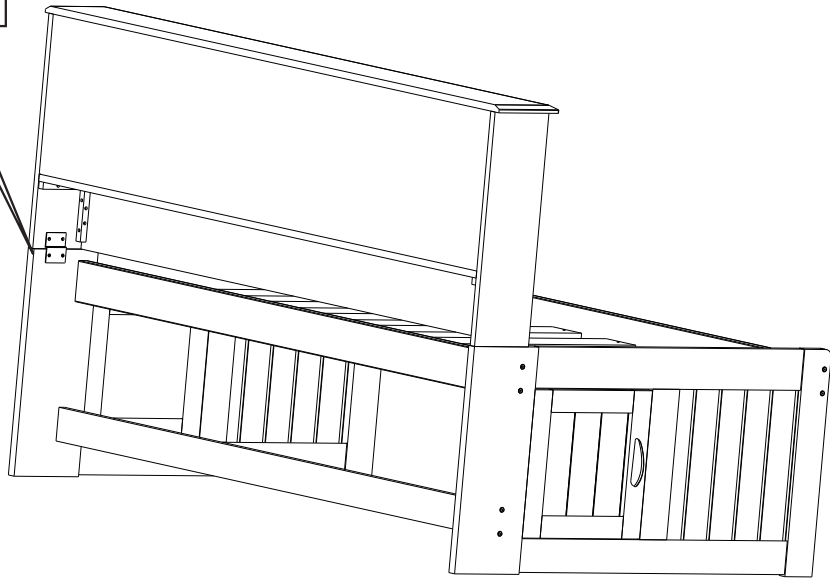
07



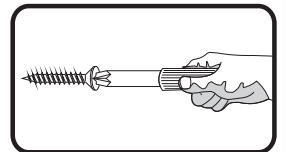
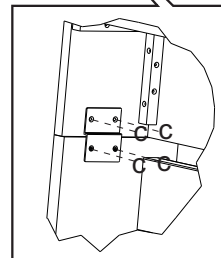
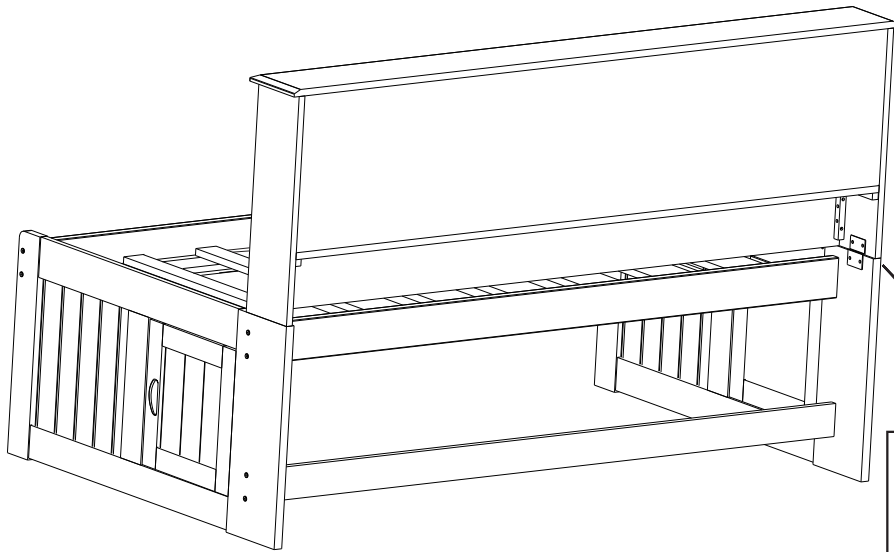
08



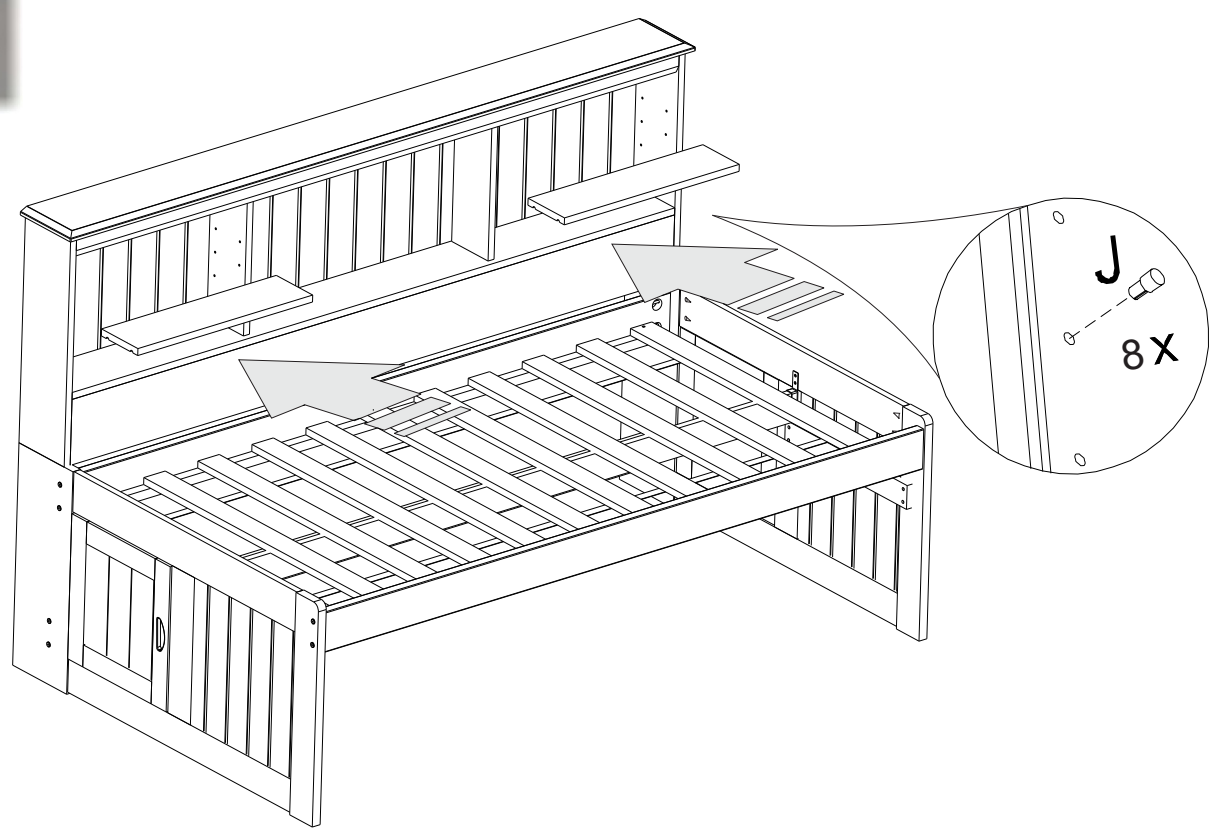
2X



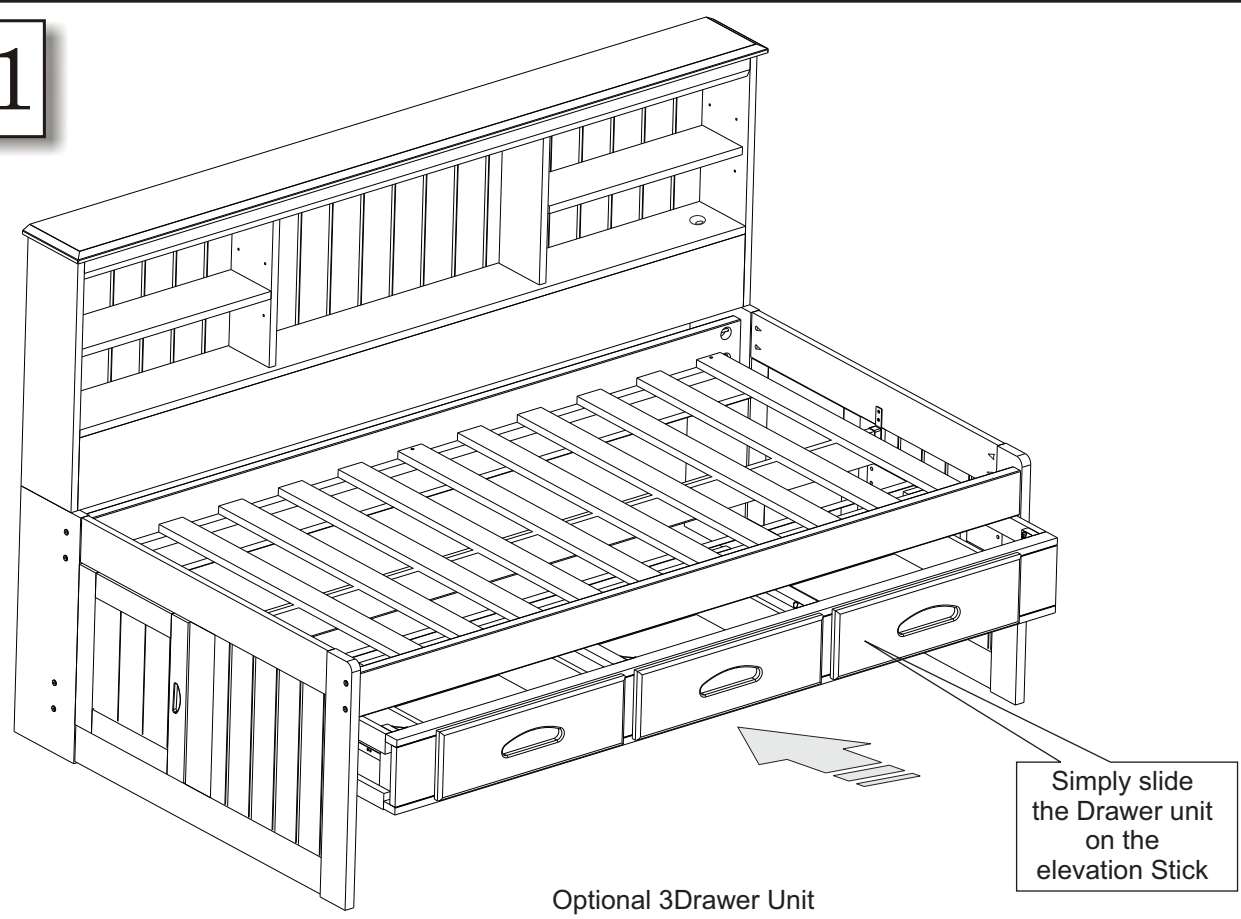
09



10

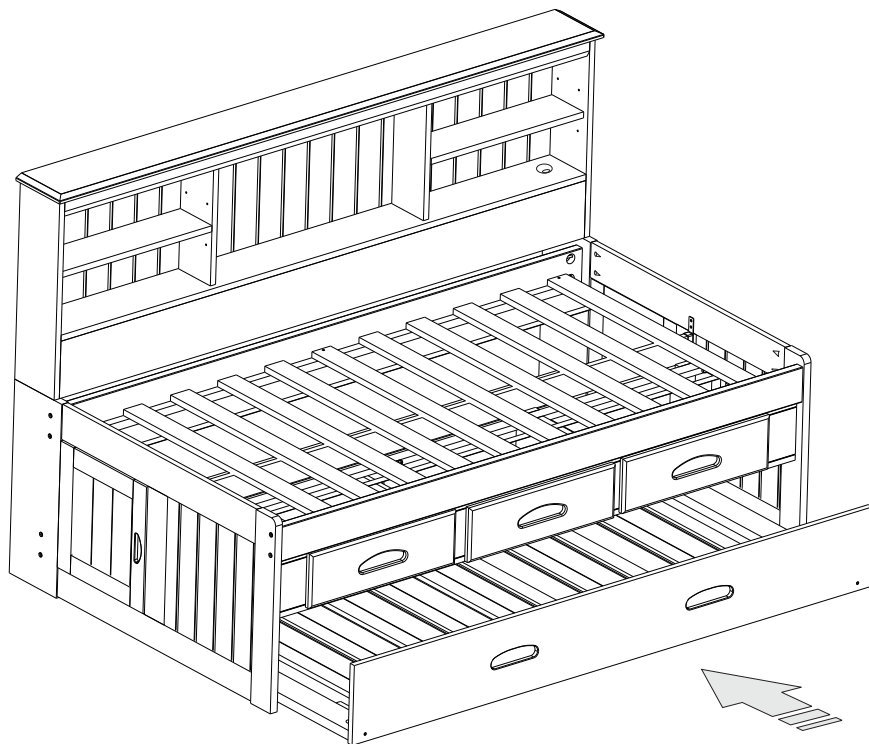


11



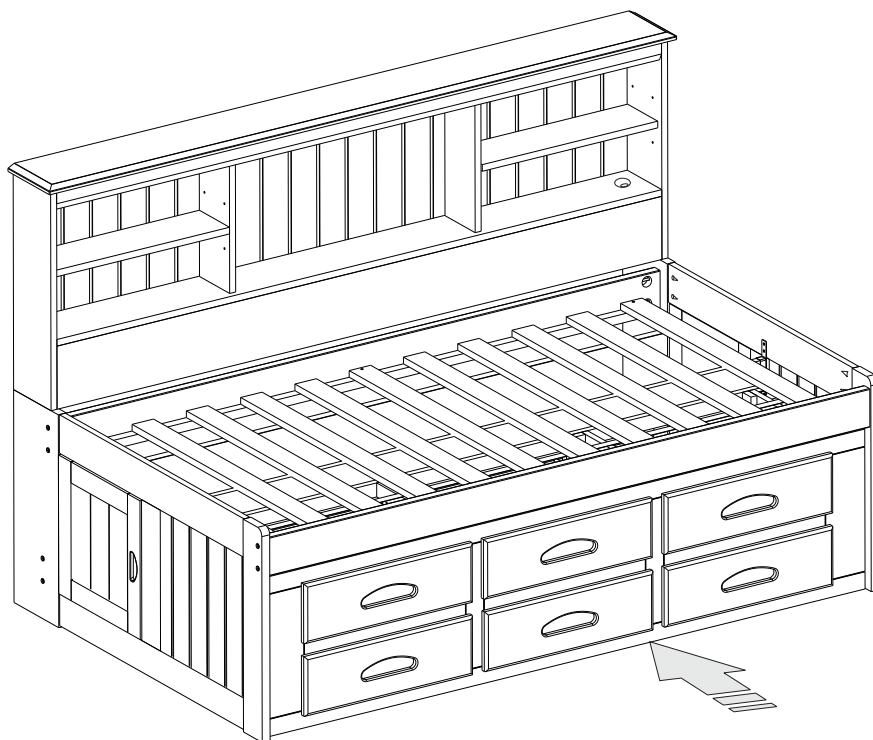
Optional 3Drawer Unit

12



Optional Trundle

13



Optional 6 Drawer Unit