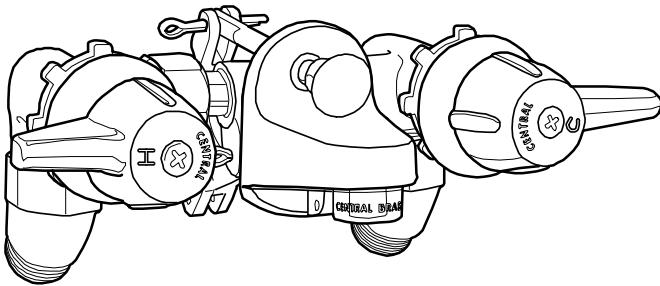


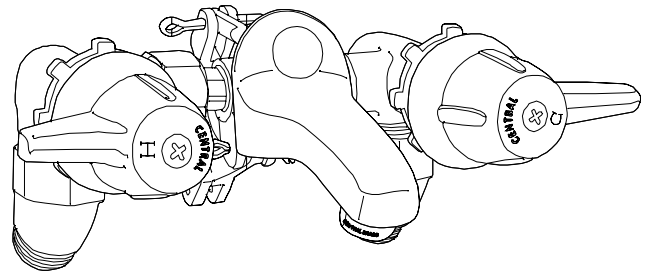
Central Brass®

The Easy Choice

Shelf Back and Slant Back Lavatory Faucets



SHELF BACK
1177-A
1177-DA



SLANT BACK
1178-A
1178-DA



Faucets with lever, wrist or elbow handles and compression or ceramic stem cartridges are ADA compliant.



Certified to
ANSI/NSF 61 Section9

CENTRAL BRASS MFG CO

2950 East 55th Street, Cleveland, Ohio 44127

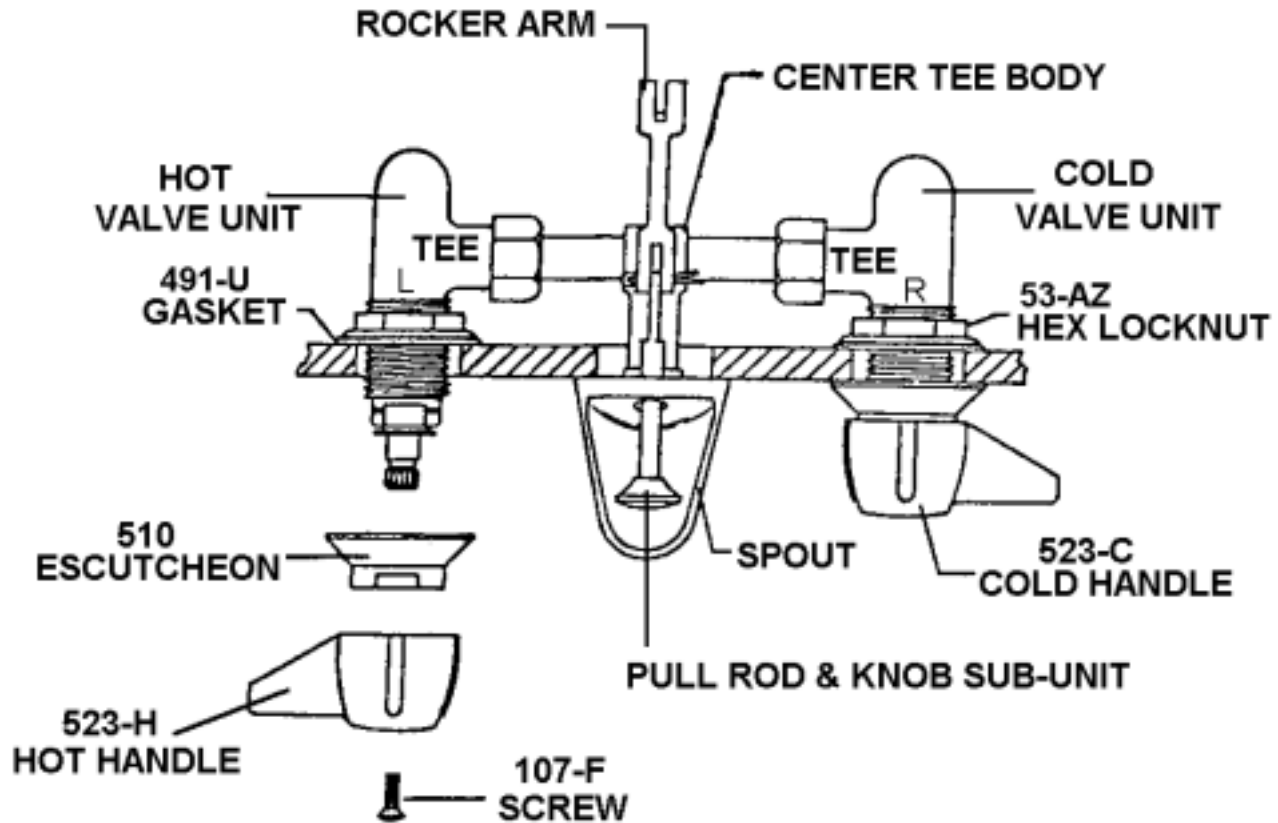
Phone: 216-883-0220

Fax: 216-883-0875

Email: sales @CentralBrass.com

Installation Instructions for Shelf Back and Slant Back Lavatory Faucets

Top View of 1177-A Faucet Assembly



NOTE: Will fit sinks up
to 5/8" thick

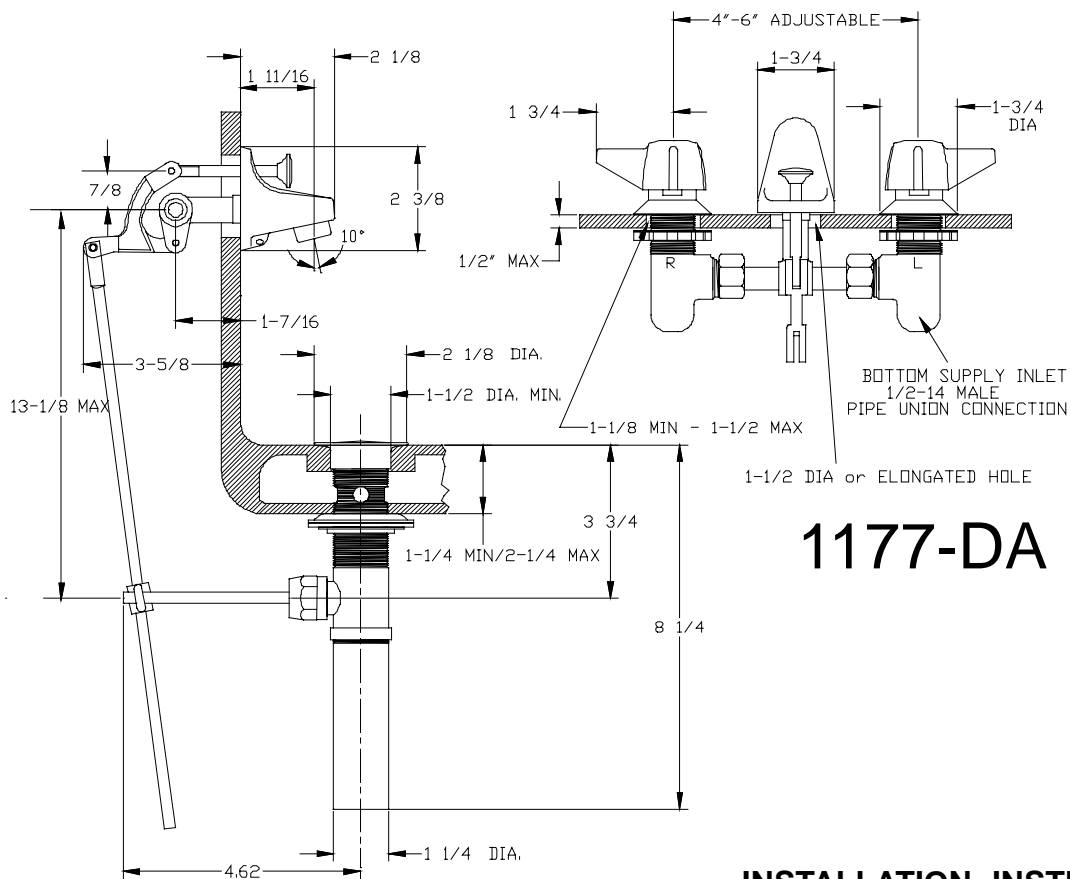
FAUCET INSTALLATION:

1. Tee body will assemble to 4" to 6" centers. (For 4" centers, cut off 1/4" from each end of tee body.)
2. Assemble right and left valve bodies to tee body as shown.
3. Turn locknuts (53-AZ) down the full length of each valve body and place one (1) gasket (491-U) on each valve body.
4. Place center tee body (U-2171-A) and right (U-2170-AR) and left (U-2170-AL) valve bodies in lavatory as shown. (Rubber o-ring should be greased for easy assembly.)
5. Assemble spout to center tee body as shown. (Spout should be hand tightened for a proper seal against the o-ring.)
6. Assemble escutcheons (510) and handles (523-C & 523-H) as shown.
7. Tighten locknuts (53-AZ) against back of lavatory.
8. Connect faucet to water supply lines as indicated by hot and cold handles. Brass coupling nuts are provided.
9. Insert pull rod and knob sub-unit (SU-754-KA) thru spout and assemble to rocker arm as shown with the guide for installing the pop-up drain.
10. Remove aerator and flush faucet for approximately ten minutes before replacing aerator on spout.

CENTRAL BRASS MFG CO

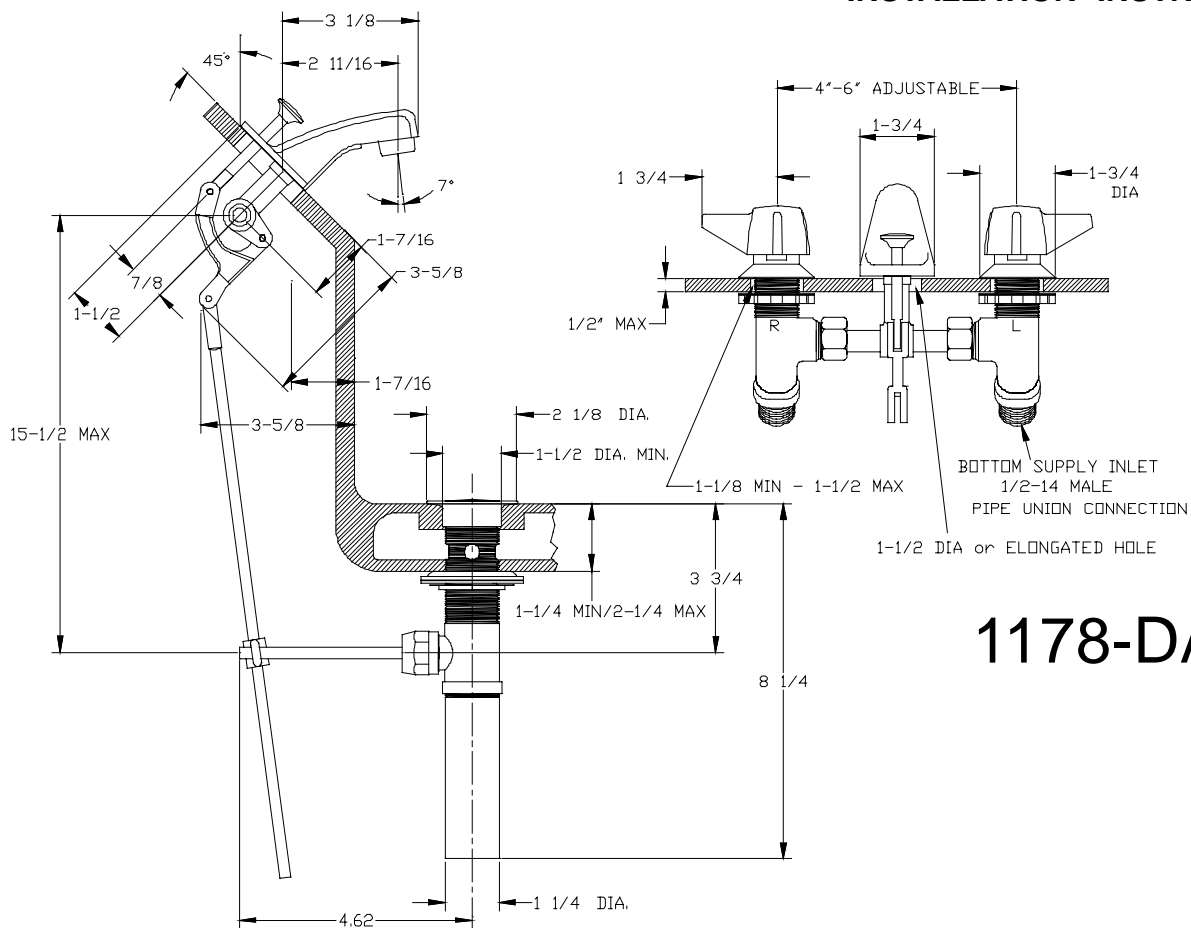
2950 East 55th Street, Cleveland, Ohio 44127

Phone: 216-883-0220 Fax: 216-883-0875 Email: sales @CentralBrass.com



1177-DA

INSTALLATION INSTRUCTIONS



1178-DA

CENTRAL BRASS MFG CO

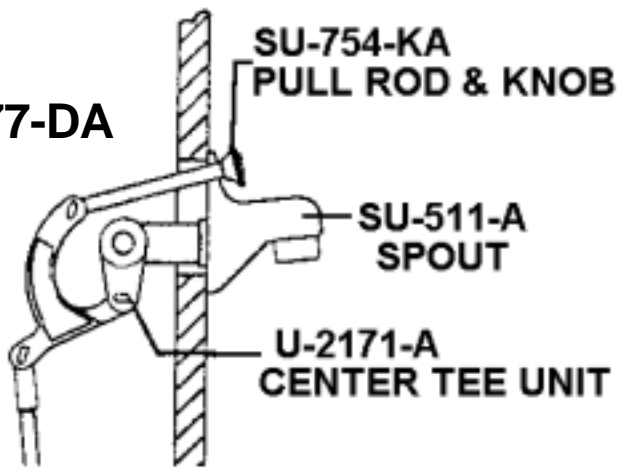
2950 East 55th Street, Cleveland, Ohio 44127

Phone: 216-883-0220

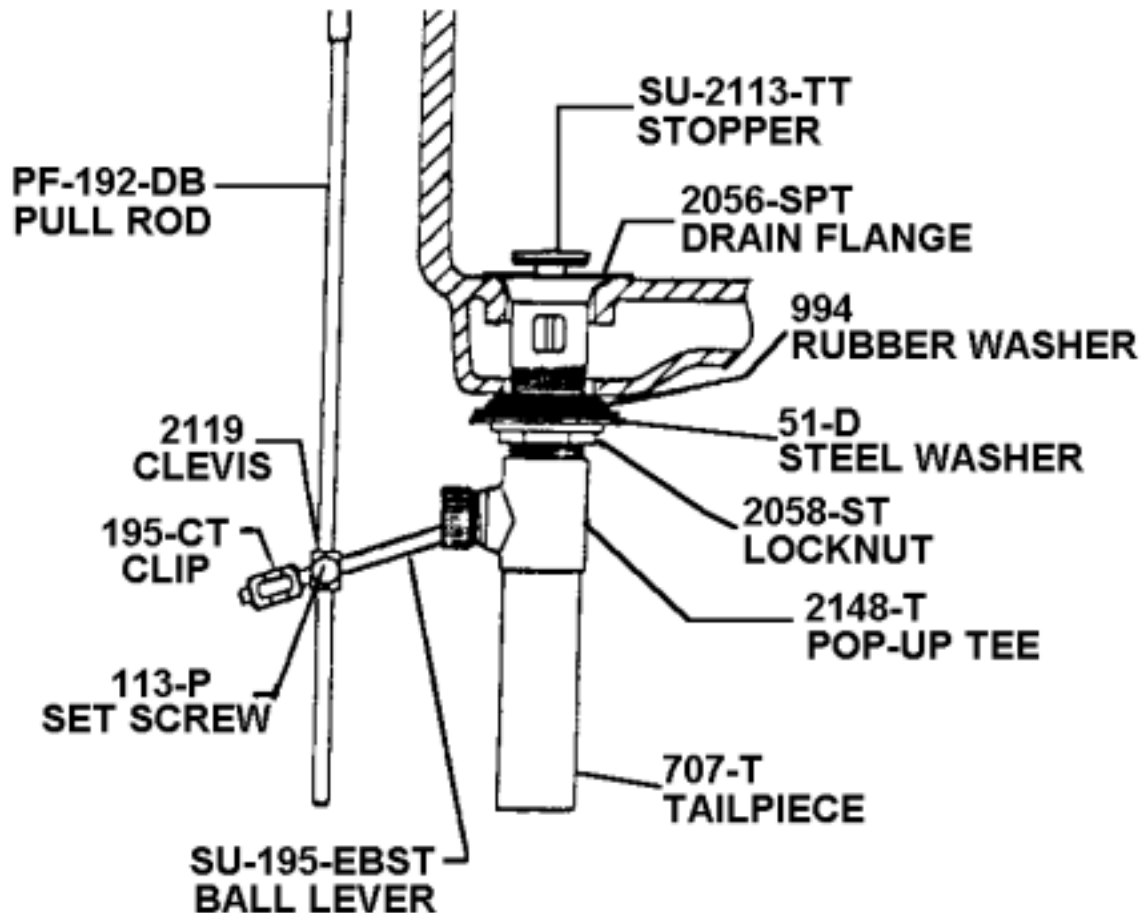
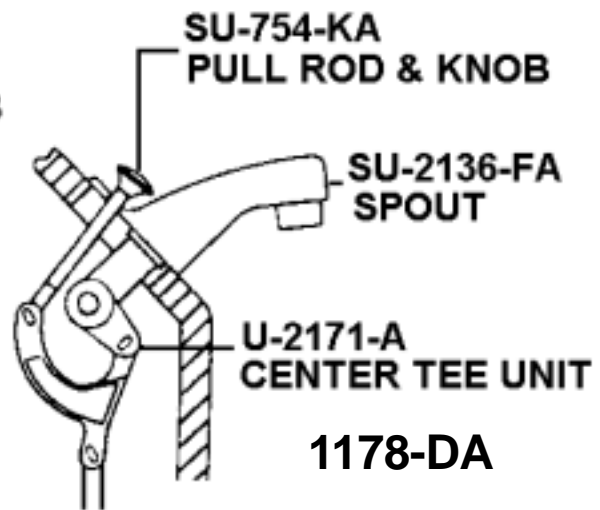
Fax: 216-883-0875

Email: sales @CentralBrass.com

1177-DA



1178-DA



GUIDE FOR INSTALLING POP-UP DRAIN:

1. Remove stopper and drain flange from pop-up tee and remove locknut, steel washer and rubber washer from drain flange.
2. Apply a layer of soft (plumber set) to the underside of drain flange and insert downward thru lavatory.
3. Assemble rubber washer, steel washer and locknut to drain flange as shown. Assemble pop-up tee to drain flange, tighten locknut from underside and assemble ball lever to tee as shown. (NOTE: Ball lever points towards the rear.)
4. Assemble pull rod, clevis and clip as shown, tighten set screw and insert stopper.

CENTRAL BRASS MFG CO

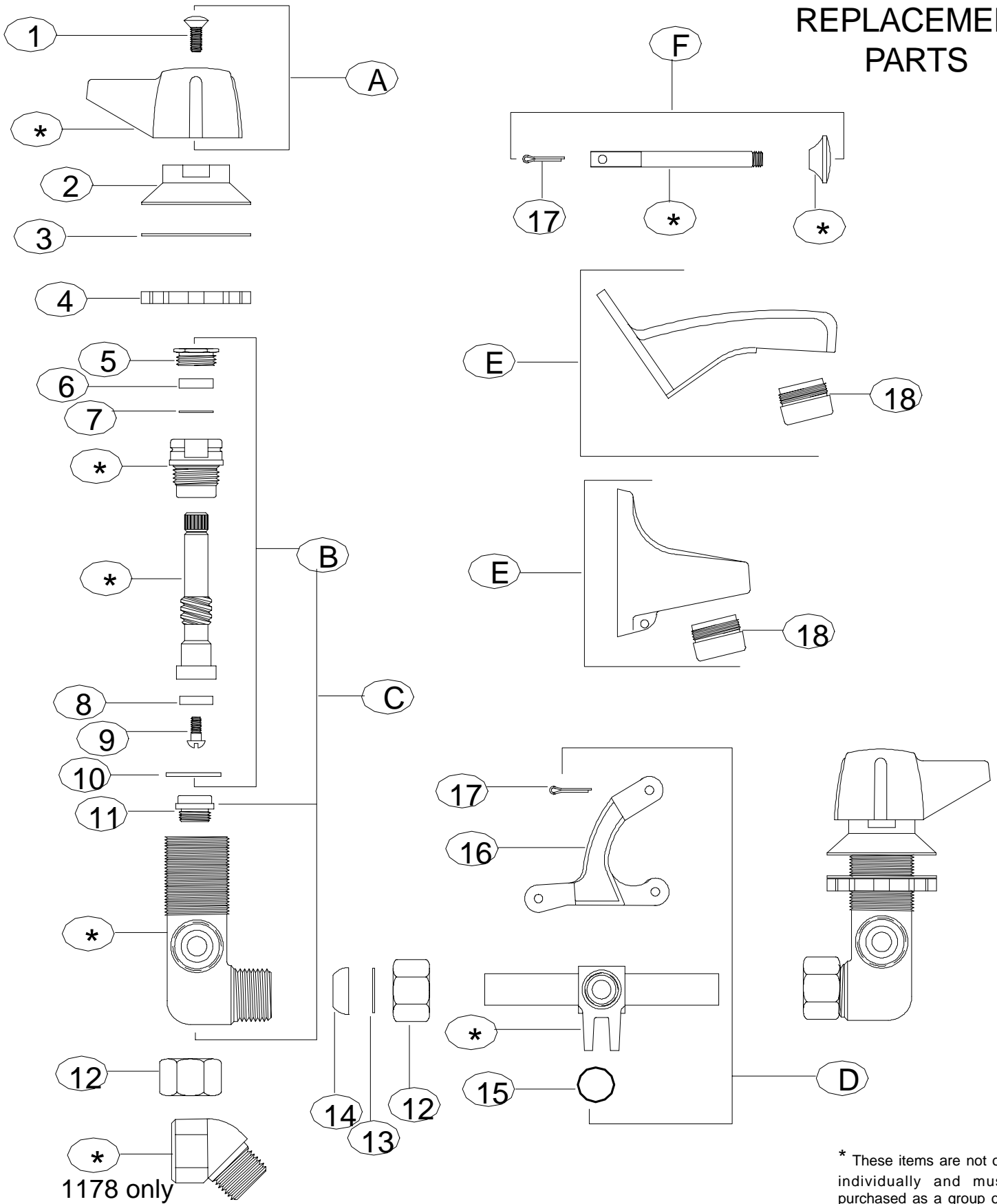
2950 East 55th Street, Cleveland, Ohio 44127

Phone: 216-883-0220

Fax: 216-883-0875

Email: sales @CentralBrass.com

REPLACEMENT PARTS



CENTRAL BRASS MFG CO

2950 East 55th Street, Cleveland, Ohio 44127

Phone: 216-883-0220

Fax: 216-883-0875

Email: sales @CentralBrass.com

REPLACEMENT PARTS

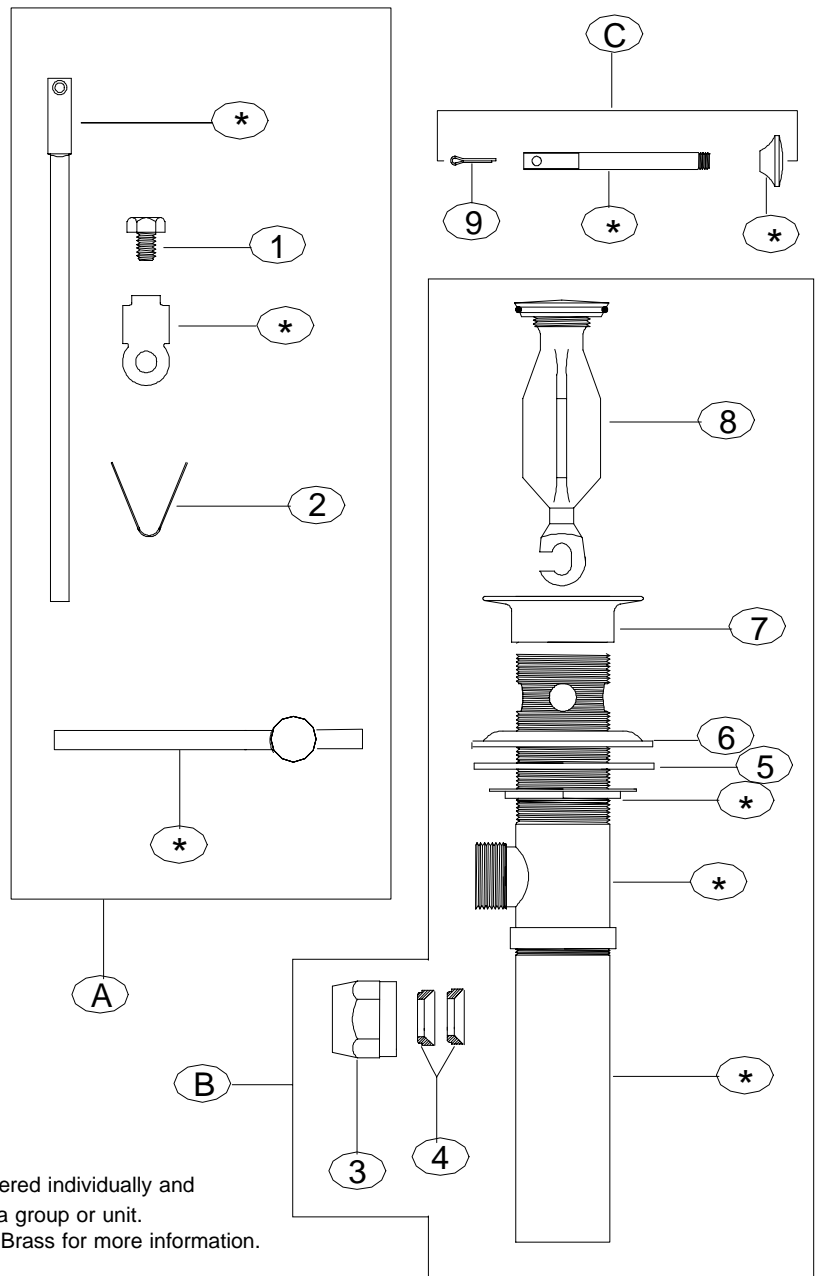
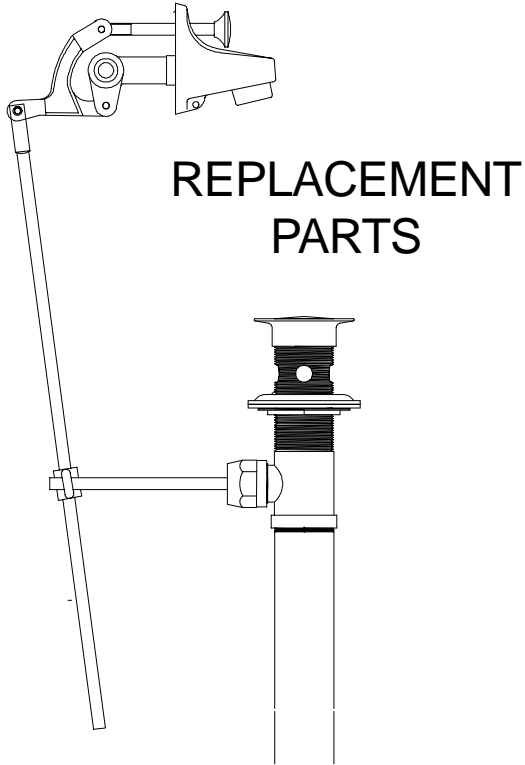
#	Part #	Description
A	G-523-C	Lever Handle C Indexed with Screw (X107-F)
A	G-523-H	Lever Handle H Indexed with Screw (X107-F)
B	K-158-KR	Cold Stem Assembly with Gasket (X193-LBN)
B	K-158-KL	Hot Stem Assembly with Gasket (X193-LBN)
C	U-2170-AR	Cold Corner Body Valve unit (for 1177 series only)
C	U-2170-AL	Hot Corner Body Valve unit (for 1177 series only)
D	U-2171-A	Center Tee with Rocker Arm (2126-A)
E	SU-511-A	Shelf Back Spout with Aerator (30-L) (for 1177 Series)
E	SU-2136-FA	Slant Back Spout with Aerator (30-L) (for 1178 Series)
F	G-21	Pull Rod with Knob & Cotter Pins (X194)
1	X107-F	Handle Screw (25 pcs per pack)
2	510	Escutcheon
3	X491-U	Gasket (12 pcs per pack)
4	X53-AZ	Locknut (6 pcs per pack)
5	X353-DH	Packing Nut (10 pcs per pack)
6	X353-CW	Packing (10 pcs per pack)
7	X82-J	Brass Washer (6 pcs per pack)
8	X901-WNN	Stem Seat Washer (25 pcs per pack)
9	X104	Seat Washer Screw (25 pcs per pack)
10	X193-LBN	Gasket (6 pcs per pack)
11	XPF-263-B	Replacement Seat (4 pcs per pack)
12	X4015	Coupling Nut (4 pcs per pack)
13	X22	Brass Washer (6 pcs per pack)
14	X954-A	Rubber Slip Fit Washer (10 pcs per pack)
15	X1038-IN	O-Ring (10 pcs per pack)
16	2126-A	Rocker Arm
17	X194	Cotter Pin (6 pcs per pack)
18	30-L	Aerator (Male)

CENTRAL BRASS MFG CO

2950 East 55th Street, Cleveland, Ohio 44127

Phone: 216-883-0220 Fax: 216-883-0875 Email: sales @CentralBrass.com

For items with "D" Suffix Pop-up Drain



* These items are not offered individually and must be purchased as a group or unit. Please contact Central Brass for more information.

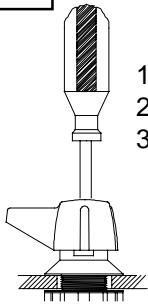
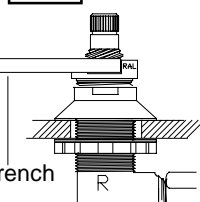
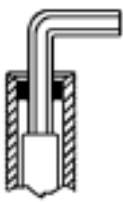
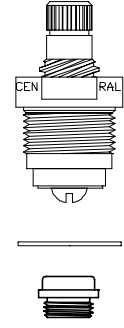
#	Part #	Description
A	G-195-EBST	Lower Pull Rod Group with & Ball Lever Rod
B	SU-1109	Pop-up Drain less pull rod & bracket with Stopper & Guide (SU-2113-TT)
C	SU-754-KA	Spout Pull Rod Group
1	X113-P	Pop-up Bracket Screw (6 pcs per pack)
2	X195-C	Clip (6 pcs per pack)
3	192-NBB	Ball Lever Nut
4	X409-PT	Ball Lever Packing (12 pcs per pack)
5	X51-D	Washer (10 pcs per pack)
6	X994-1109	Mac Washer (4 pcs per pack)
7	2056-SPT1109	Top Flange
8	SU-2113-TT	Stopper & Guide
9	X194	Cotter Pin (6 pcs per pack)

CENTRAL BRASS MFG CO

2950 East 55th Street, Cleveland, Ohio 44127

Phone: 216-883-0220 Fax: 216-883-0875 Email: sales @CentralBrass.com

CENTRAL BRASS MAINTENANCE INSTRUCTIONS

DISASSEMBLY	REPLACEMENT
<div style="border: 1px solid black; padding: 5px; margin-bottom: 10px;"> <div style="display: flex; align-items: center;"> <div style="border: 1px solid black; width: 30px; height: 30px; display: flex; align-items: center; justify-content: center; margin-right: 10px;">1</div> <div> <p>REMOVE HANDLE</p>  <ol style="list-style-type: none"> 1. Turn off water supply. 2. Remove screw. 3. Remove handle. </div> </div> </div> <div style="border: 1px solid black; padding: 5px; margin-bottom: 10px;"> <div style="display: flex; align-items: center;"> <div style="border: 1px solid black; width: 30px; height: 30px; display: flex; align-items: center; justify-content: center; margin-right: 10px;">2</div> <div> <p>REMOVE STEM ASSEMBLY</p>  <ol style="list-style-type: none"> 1. Use adjustable wrench. 2. Unscrew (counterclockwise) remove stem unit. </div> </div> </div> <div style="border: 1px solid black; padding: 5px;"> <div style="display: flex; align-items: center;"> <div style="border: 1px solid black; width: 30px; height: 30px; display: flex; align-items: center; justify-content: center; margin-right: 10px;">3</div> <div> <p>REMOVE SEAT (For compression stems only)</p>  <ol style="list-style-type: none"> 1. Insert 5/16" allen wrench in seat. 2. Turn seat (counterclockwise) to remove. </div> </div> </div>	<div style="border: 1px solid black; padding: 5px; margin-bottom: 10px;"> <div style="display: flex; align-items: center;"> <div style="border: 1px solid black; width: 30px; height: 30px; display: flex; align-items: center; justify-content: center; margin-right: 10px;">4</div> <div> <p style="text-align: center;">Use Only Genuine Central Replacement Parts</p> <p>Compression Units</p> <p>K-458-KR Cold stem assembly & gasket</p> <p>K-458-KL Hot stem assembly & gasket</p> <p>XPF-263-B Replaceable Seat (10 per Pack)</p> <p>X1028-Y Nylon Gasket (25 per Pack)</p> </div> </div> </div> <div style="text-align: center; margin-top: 20px;"> <p>COMPRESSION</p>  </div>

CENTRAL BRASS MFG CO
 2950 East 55th Street, Cleveland, Ohio 44127
 Phone: 216-883-0220 Fax: 216-883-0875 Email: sales @CentralBrass.com