

Central Brass

COMPANY

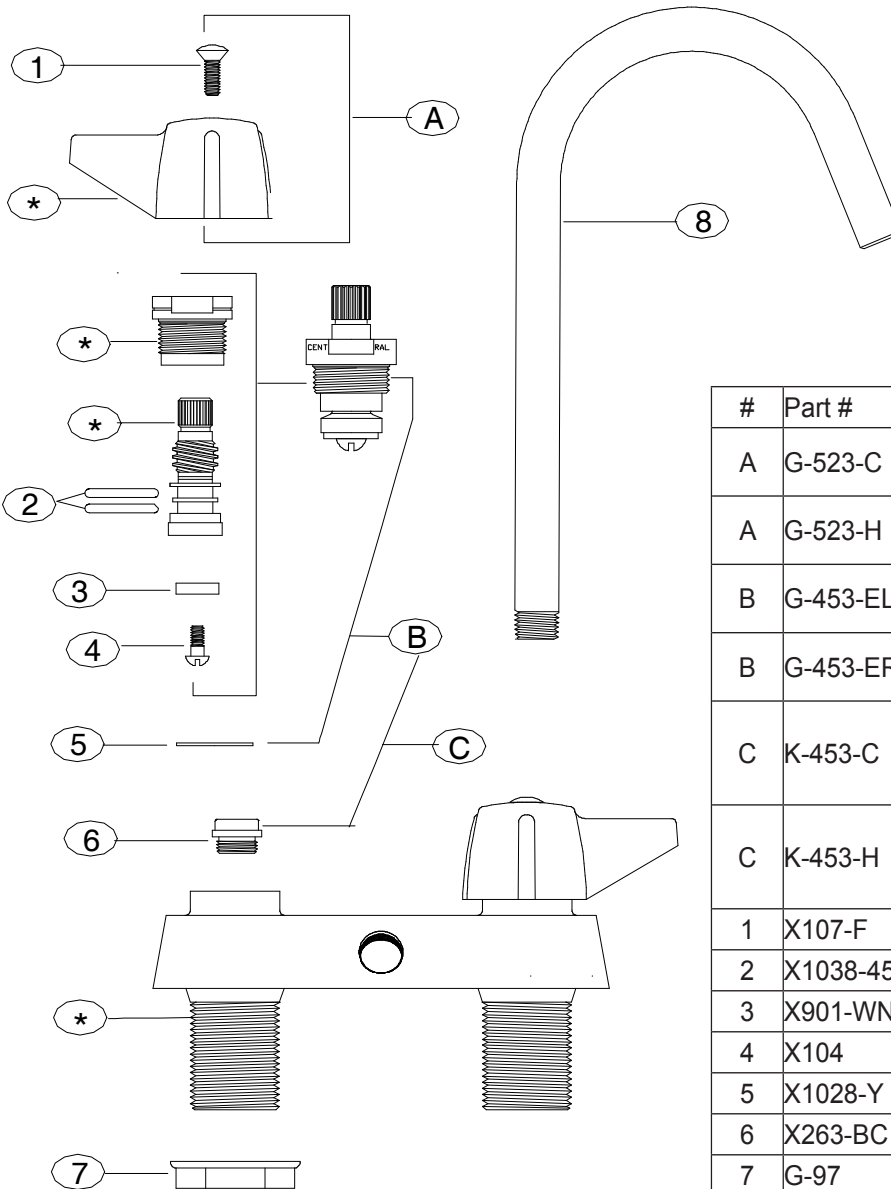
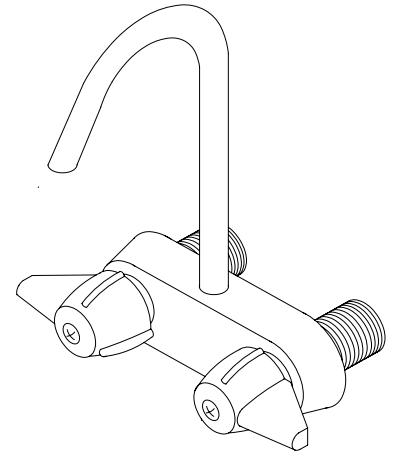
Brecksville, Ohio 44141

Phone: (216) 883-0220 Fax: (440) 526-5745

www.CentralBrass.com

MODEL NO. **0208** Series
LEG TUB FITTING

REPLACEMENT PARTS



#	Part #	Description
A	G-523-C	Lever Handle C Indexed with Screw (X107-F)
A	G-523-H	Lever Handle H Indexed with Screw (X107-F)
B	G-453-EL	Cold O-Ring Stem Assembly with Gasket (X1028-Y)
B	G-453-ER	Hot O-Ring Stem Assembly with Gasket (X1028-Y)
C	K-453-C	Cold O-Ring Stem Assembly with Gasket (X1028-Y) and Seat (X263-BC)
C	K-453-H	Hot O-Ring Stem Assembly with Gasket (X1028-Y) and Seat (X263-BC)
1	X107-F	Handle Screw (25 pcs per pack)
2	X1038-453	O-Rings (25 pcs per pack)
3	X901-WNN	Stem Seat Washer (25 pcs per pack)
4	X104	Seat Washer Screw (25 pcs per pack)
5	X1028-Y	Gasket (25 pcs per pack)
6	X263-BC	Replacement Seat (10 pcs per pack)
7	G-97	Locknut (4090-3/4) (2 pcs)
8	PF-725-A	6 ⁷ / ₁₆ Inch Gooseneck Spout

* These items are not offered individually and must be purchased as a group or unit. Please contact Central Brass for more information.