

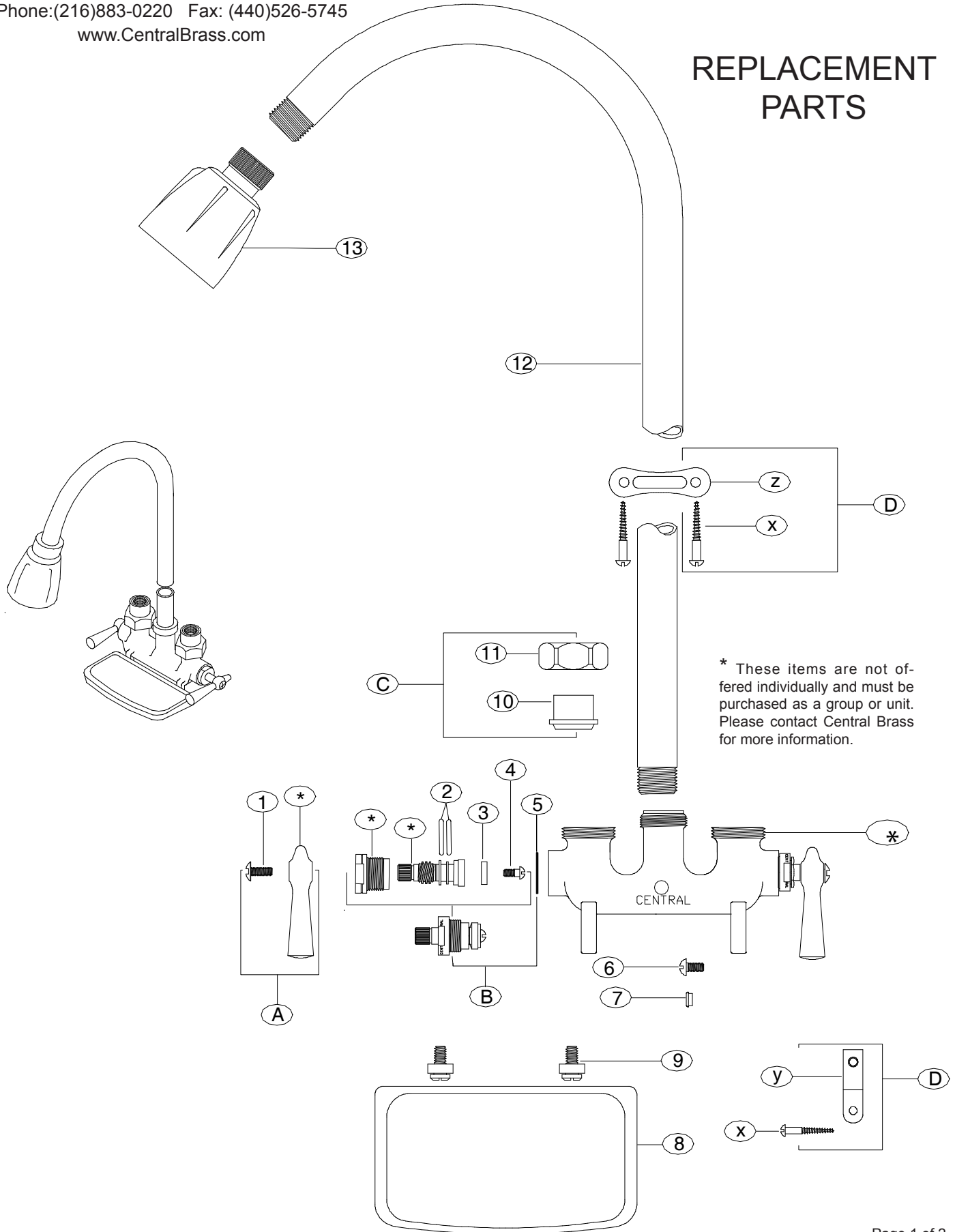
# Central Brass

COMPANY

Brecksville, Ohio 44141  
 Phone: (216)883-0220 Fax: (440)526-5745  
 www.CentralBrass.com

Model No. **0477 Series**  
**Utility Shower**

## REPLACEMENT PARTS



\* These items are not offered individually and must be purchased as a group or unit. Please contact Central Brass for more information.

# Central Brass

COMPANY

Brecksville, Ohio 44141

Phone: (216)883-0220 Fax: (440)526-5745

www.CentralBrass.com

Model No. **0477** Series  
**Utility Shower**

## REPLACEMENT PARTS

#	Part #	Description
A	G-520-W	Two Lever Handles indexed C and H with 2 Screws (X126-S)
B	G-453-EL	Cold O-Ring Stem Assembly with Gasket (X1028-Y) for rough brass faucet only
B	G-453-ELRC	Cold O-Ring Stem Assembly with Gasket (X1028-Y) for rough chrome faucet only
B	G-453-ER	Hot O-Ring Stem Assembly with Gasket (X1028-Y) for rough brass faucet only
B	G-453-ERRC	Hot O-Ring Stem Assembly with Gasket (X1028-Y) for rough chrome faucet only
C	G-30	IP Union Sleeve (X1875) & Nut (X1876-BB) for rough brass faucet only
C	G-30-C	Direct Sweat Union Sleeve (X1875) & Nut (X1876-BB) for Item with C suffix and rough brass faucet only
D	G-7237-477	Leg & Wall Bracket Group for rough brass faucet only This groups includes items as marked; <b>9</b> - Screw 105-U (2 pcs), <b>X</b> -Wood Screw (4 pcs), <b>Y</b> -Leg (2 pcs) & <b>Z</b> -Wall Bracket (1 pc)
1	X126-S	Handle Screw (6 pcs per pack)
2	X1038-453	O-Rings (25 pcs per pack)
3	X901-WNN	Seat Washer (25 pcs per pack)
4	X104	Seat Washer Screw (25 pcs per pack)
5	X1028-Y	Gasket (25 pcs per pack)
6	X105-H	Screw (6 pcs per pack)
7	X420-N	Nylon Washer (12 pcs per pack)
8	PF-259-X	Brass Soap Dish
9	105-U	Special Slotted Screw
10	X1875	IP Union Sleeve (2 pcs per pack) for rough brass faucet only
10	X1875-C	Direct Sweat Union Sleeve (2 pcs per pack) for Item with C suffix and rough brass faucet only
11	X1876-BB	Coupling Nut (2 pcs per pack) for rough brass faucet only
12	157-I	Galvanized Shower Riser
13	3034-1/2-02	Shower Head 2.5 GPM