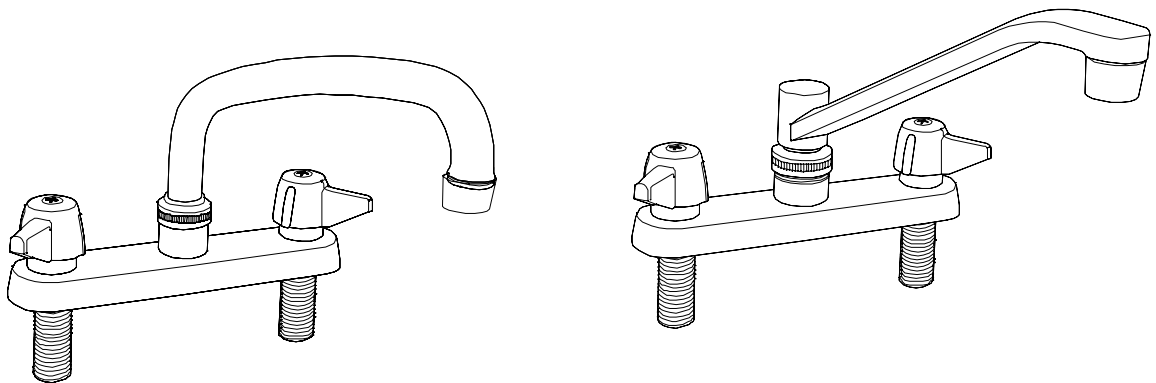


# Central Brass®

The Easy Choice

## KITCHEN TOPMOUNT FAUCET

6 Inch Centers  
Cast Brass Body



### 6" Centers with Compression Stem Assemblies

**0125 - A Series with 8-inch Swivel Spout**

**0127 - A Series with 8-inch D-Spout**



Faucets with lever, wrist or elbow handles and compression or ceramic stem cartridges are ADA compliant.



Certified to  
ANSI/NSF 61 Section9

**CENTRAL BRASS MFG CO**

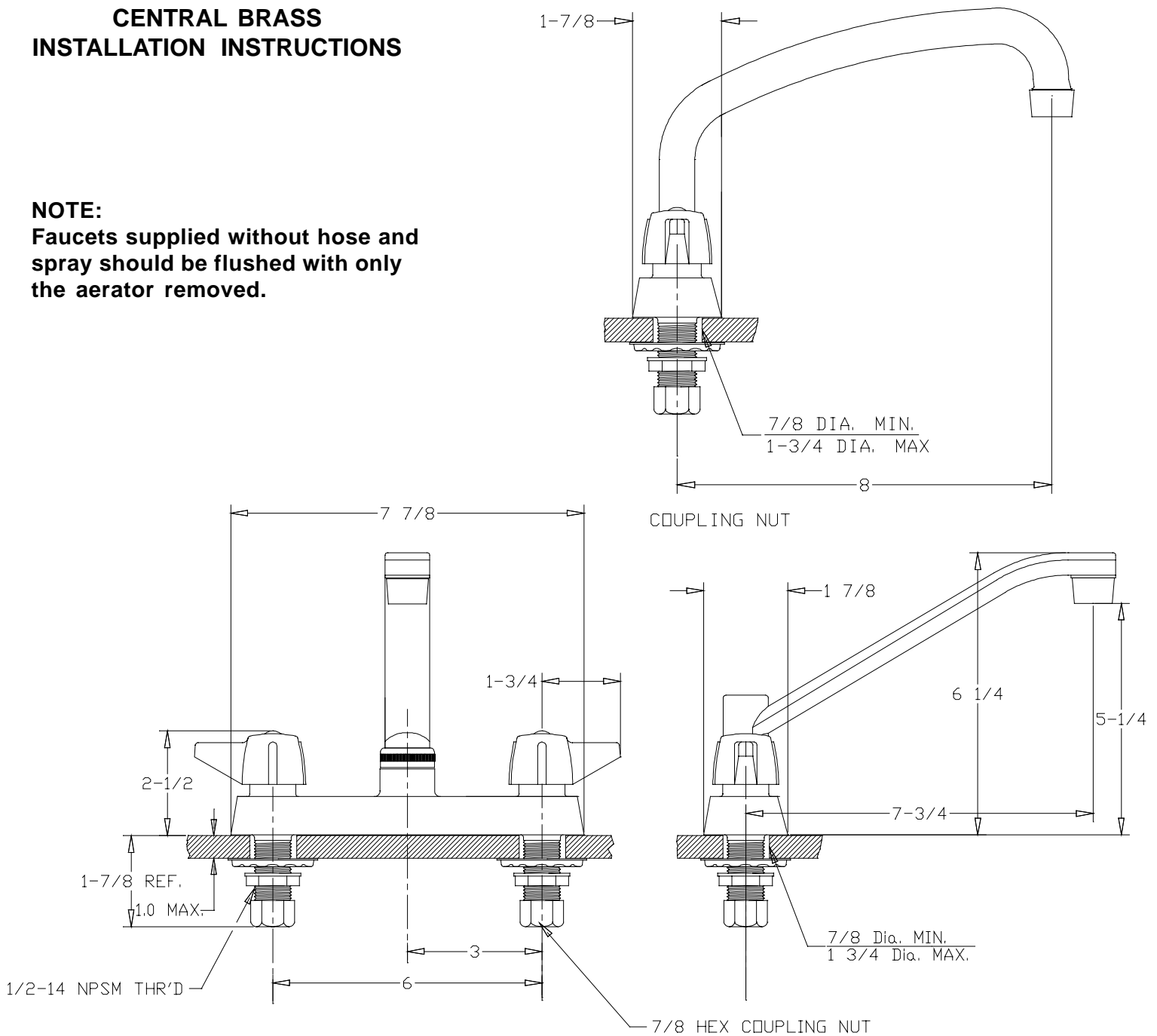
2950 East 55th Street, Cleveland, Ohio 44127

Phone: 216-883-0220 Fax: 216-883-0875 Email: sales @CentralBrass.com

# CENTRAL BRASS INSTALLATION INSTRUCTIONS

## NOTE:

Faucets supplied without hose and spray should be flushed with only the aerator removed.



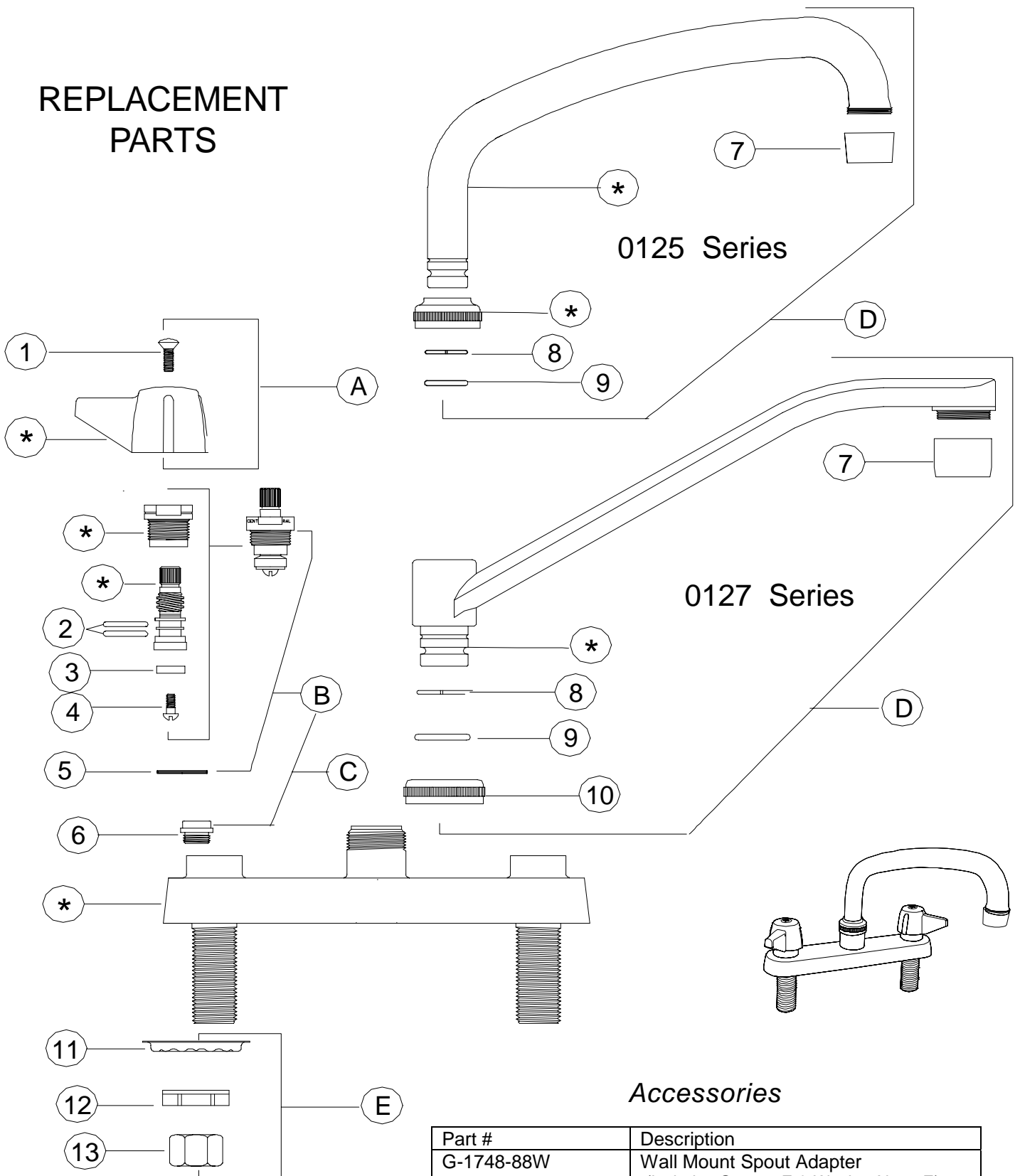
1. Apply a thin coat of soft plumbers putty to the bottom edge of the faucet body, place the faucet shanks thru the holes in the sink. (Handles indexed cold on right side, body marked on bottom front for those without handle indexes.)
2. Attach steel washer and locknuts and tighten. Connect hot water supply to left side and cold water supply to right side. Tighten coupling nuts securely.
3. Install spout, without aerator. Turn on hot and cold water for one minute to flush out dirt and sediment that might have accumulated during installation.
4. Install spout aerator.
5. Check all connections for leakage.

## CENTRAL BRASS MFG CO

2950 East 55th Street, Cleveland, Ohio 44127

Phone: 216-883-0220 Fax: 216-883-0875 Email: sales @CentralBrass.com

# REPLACEMENT PARTS



\* These items are not offered individually and must be purchased as a group or unit. Please contact Central Brass for more information.

## Accessories

Part #	Description
G-1748-88W	Wall Mount Spout Adapter (includes G-1808-E & Washer X402-E)
SU-2775-R-02	Jointed Spout (7-inch)
30-RB	Swivel Rose Spray Aerator

## CENTRAL BRASS MFG CO

2950 East 55th Street, Cleveland, Ohio 44127

Phone: 216-883-0220 Fax: 216-883-0875 Email: sales @CentralBrass.com

# REPLACEMENT PARTS

#	Part #	Description
A	G-523-C	Lever Handle C Indexed with Screw (X107-F)
A	G-523-H	Lever Handle H Indexed with Screw (X107-F)
B	G-453-EL	Cold O-Ring Stem Assembly with Gasket (X1028-Y)
B	G-453-ER	Hot O-Ring Stem Assembly with Gasket (X1028-Y)
C	K-453-C	Cold O-Ring Stem Assembly with Gasket (X1028-Y) and Seat (X263-BC)
C	K-453-H	Hot O-Ring Stem Assembly with Gasket (X1028-Y) and Seat (X263-BC)
D	SU-363-RA	8-Inch Swivel Spout with Aerator (30-M) 0125 Series
D	SU-365-CA	8-Inch Swivel D-Spout with Aerator (30-M) 0127 Series
E	G-913-A	Coupling Nut group (1 set)
1	X107-F	Handle Screw (25 pcs per pack)
2	X1038-453	O-Rings (25 pcs per pack)
3	X901-WNN	Stem Seat Washer (25 pcs per pack)
4	X104	Seat Washer Screw (25 pcs per pack)
5	X1028-Y	Gasket (25 pcs per pack)
6	X263-BC	Replacement Seat (10 pcs per pack)
7	30-M	Aerator
8	X166-FN	Snap Ring (6 pcs per pack)
9	X1038-KN	Spout O-Ring (25 pcs per pack)
10	X54	Crowfoot Washer (10 pcs per pack)
11	X7133-AL	Locknut (10 pcs per pack)
12	X4015	Coupling Nut (4 pcs per pack)

## OPTIONS & REPLACEMENT PARTS for options

Suffix Number	Replaces Item #	Part Number	Description
2	D	SU-363-JA	10-Inch Swivel Spout with Aerator (30-M)
3	D	SU-363-LA	12-Inch Swivel Spout with Aerator (30-M)
4	D	SU-363-MA	14-Inch Swivel Spout with Aerator (30-M)
8	D	SU-357-HSA	7 ¼ Inch High-Rise Swivel Spout with Aerator (30-L)
70	A	K-506-1C or 1H	Acrylic Handles with C or H metal indexed buttons
		X126-625B	Handle Screw for Acrylic Handles suffix's 70 or 80 (6 pcs per pack)
		G-503-M-02	Metal indexed buttons C & H for Acrylic Handles suffix's 70 or 80 (one pair per pack)

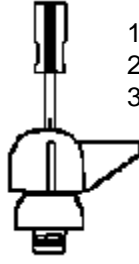

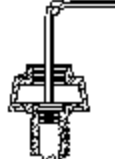
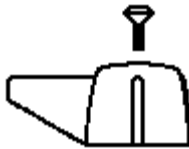




- If faucet has round handles (70 or 80 suffixes) , use two Hot stem assemblies
- If faucet has lever handles, use one Hot and one Cold stem assemblies

## CENTRAL BRASS MFG CO

2950 East 55th Street, Cleveland, Ohio 44127

Phone: 216-883-0220 Fax: 216-883-0875 Email: sales @CentralBrass.com

# CENTRAL BRASS MAINTENANCE INSTRUCTIONS

DISASSEMBLY	REPLACEMENT
<div style="border: 1px solid black; padding: 5px; margin-bottom: 5px;"> <div style="display: flex; justify-content: space-between; align-items: center;"> <span style="border: 1px solid black; padding: 2px 5px; font-weight: bold;">1</span> <span>REMOVE HANDLE</span> </div> <div style="margin-top: 10px;">  <ol style="list-style-type: none"> <li>1. Turn off water supply.</li> <li>2. Remove screw.</li> <li>3. Remove handle.</li> </ol> </div> </div> <div style="border: 1px solid black; padding: 5px; margin-bottom: 5px;"> <div style="display: flex; justify-content: space-between; align-items: center;"> <span style="border: 1px solid black; padding: 2px 5px; font-weight: bold;">2</span> <span>REMOVE STEM ASSEMBLY</span> </div> <div style="margin-top: 10px;">  <ol style="list-style-type: none"> <li>1. Use adjustable wrench.</li> <li>2. Unscrew (counter-clockwise) remove stem unit.</li> </ol> </div> </div> <div style="border: 1px solid black; padding: 5px;"> <div style="display: flex; justify-content: space-between; align-items: center;"> <span style="border: 1px solid black; padding: 2px 5px; font-weight: bold;">3</span> <span>REMOVE SEAT <small>(For compression stems only)</small></span> </div> <div style="margin-top: 10px;">  <ol style="list-style-type: none"> <li>1. Insert 5/16" allen wrench in seat.</li> <li>2. Turn seat (counter-clockwise) to remove.</li> </ol> </div> </div>	<div style="border: 1px solid black; padding: 5px; margin-bottom: 5px;"> <div style="display: flex; justify-content: space-between; align-items: center;"> <span style="border: 1px solid black; padding: 2px 5px; font-weight: bold;">4</span> <div> <p style="margin: 0;"><b>Use Only Genuine Central Replacement Parts</b></p> <p style="margin: 5px 0;"><u>Compression Units</u></p> <p style="margin: 0 0 0 15px;"><b>G-453-ER</b> Hot stem assembly</p> <p style="margin: 0 0 0 15px;"><b>G-453-EL</b> Cold stem assembly</p> <p style="margin: 0 0 0 15px;"><b>X263-BC</b> Replaceable Seat</p> <p style="margin: 5px 0;"><u>Ceramic Units</u></p> <p style="margin: 0 0 0 15px;"><b>K-352-H</b> Ceramic Hot stem assembly</p> <p style="margin: 0 0 0 15px;"><b>K-352-C</b> Ceramic Cold stem assembly</p> </div> </div> <div style="text-align: center; margin-top: 20px;">  <div style="display: flex; justify-content: space-around; margin-top: 20px;"> <div style="text-align: center;">  <p style="margin: 0;"><b>COMPRESSION</b></p>  </div> <div style="text-align: center;">  <p style="margin: 0;"><b>CERAMIC</b></p>  </div> </div> </div> </div>

- If faucet has round handles (70 or 80 suffixes) , use two Hot stem assemblies
- If faucet has lever handles, use one Hot and one Cold stem assemblies

**CENTRAL BRASS MFG CO**  
 2950 East 55th Street, Cleveland, Ohio 44127  
 Phone: 216-883-0220    Fax: 216-883-0875    Email: sales @CentralBrass.com  
[www.CentralBrass.com](http://www.CentralBrass.com)