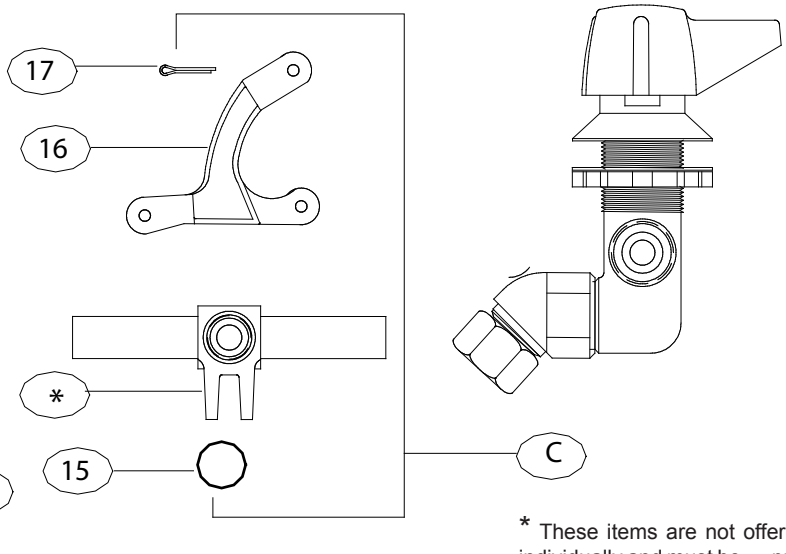
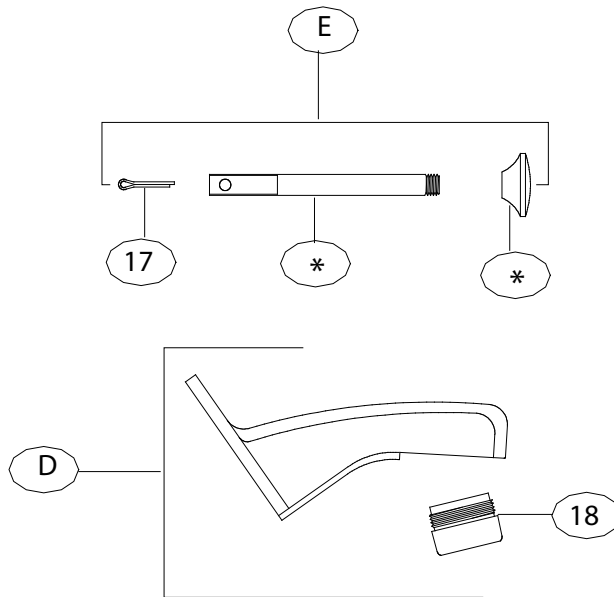
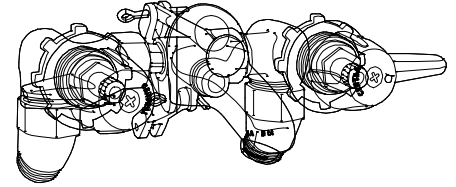
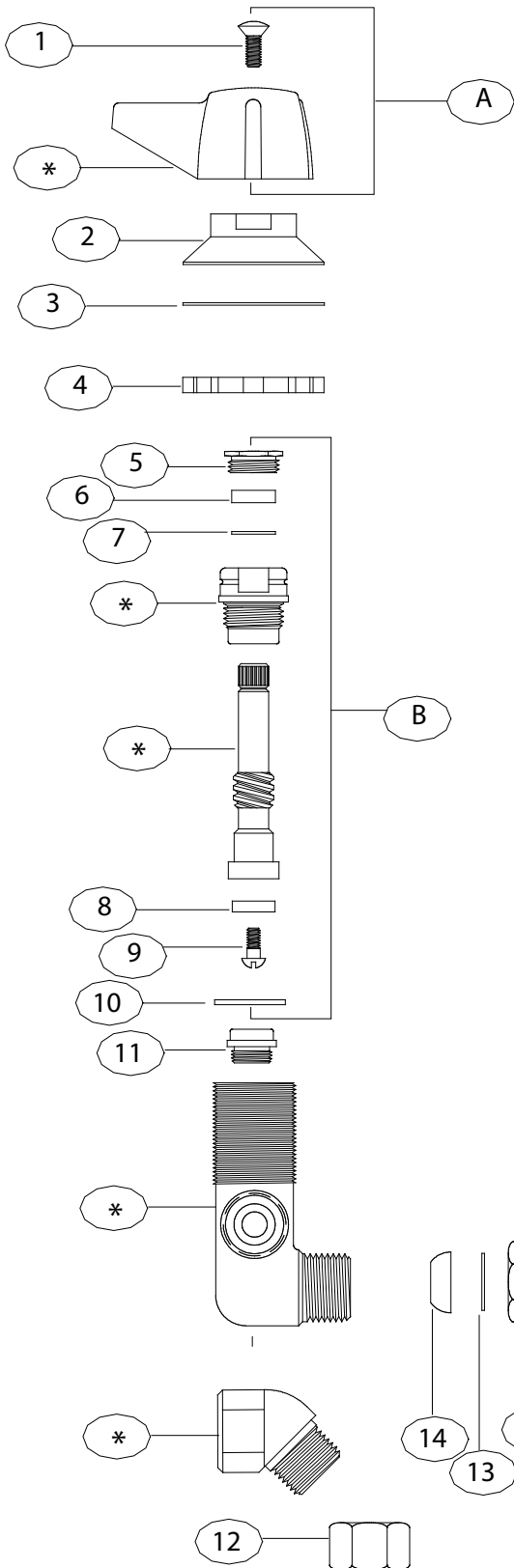


REPLACEMENT PARTS



* These items are not offered individually and must be purchased as a group or unit. Please contact Central Brass for more information.

NOTE:

Items now use our *Newly Designed* O-Ring stem units G-458-KL or G-458-KR. This stem replaces the K-158-KL or K-158-KR stem units.

REPLACEMENT PARTS

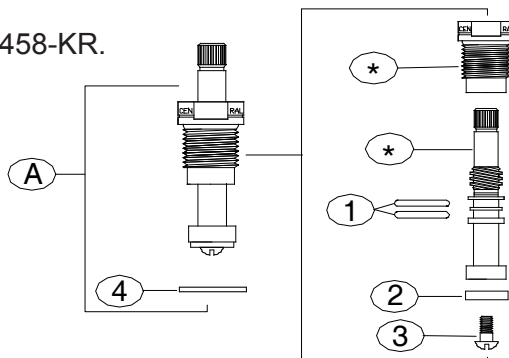
#	Part #	Description
A	G-523-C	Lever Handle C Indexed with Screw (X107-F)
A	G-523-H	Lever Handle H Indexed with Screw (X107-F)
B	G-458-KR	Cold Stem Assembly with Gasket (X193-LBN)
B	G-458-KL	Hot Stem Assembly with Gasket (X193-LBN)
C	U-2171-A	Center Tee with Rocker Arm(2126-A)
D	SU-2136-FA	Slant Back Spout with Aerator (30-L)
E	G-21	Pull Rod with Knob & Cotter Pins (X194)
1	X107-F	Handle Screw (25 pcs per pack)
2	510	Escutcheon
3	X491-U	Gasket (12 pcs per pack)
4	X53-AZ	Locknut (6 pcs per pack)
5	X353-DH	Packing Nut (10 pcs per pack)
6	X353-CW	Packing (10 pcs per pack)
7	X82-J	Brass Washer (6 pcs per pack)
8	X901-WNN	Stem Seat Washer (25 pcs per pack)
9	X104	Seat Washer Screw (25 pcs per pack)
10	X193-LBN	Gasket (6 pcs per pack)
11	XPF-263-B	Replacement Seat (4 pcs per pack)
12	X4015	Coupling Nut (4 pcs per pack)
13	X22	Brass Washer (6 pcs per pack)
14	X954-A	Rubber Slip Fit Washer (10 pcs per pack)
15	X1038-IN	O-Ring (10 pcs per pack)
16	2126-A	Rocker Arm
17	X194	Cotter Pin (6 pcs per pack)
18	30-L	Aerator (Male)

See **1177** for Shelf Back Item

NOTE:

Items now use our *Newly Designed* O-Ring stem units G-458-KL or G-458-KR. This stem replaces the K-158-KL or K-158-KR stem units.

#	Part Number	Description
A	G-458-KL	Cold Side Stem Assembly with Gasket (X1028-Y)
A	G-458-KR	Hot Side Stem Assembly with Gasket (X1028-Y)
1	X1038-453	O-Ring (25 pcs per pack)
2	X901-WNN	Seat Washer (25 pcs per pack)
3	X104	Seat Washer Screw (25 pcs per pack)
4	X1028-Y	Nylon Gasket (25 pcs per pack)



Central Brass

COMPANY

Brecksville, Ohio 44141

Phone: (216)883-0220 Fax: (440)526-5745

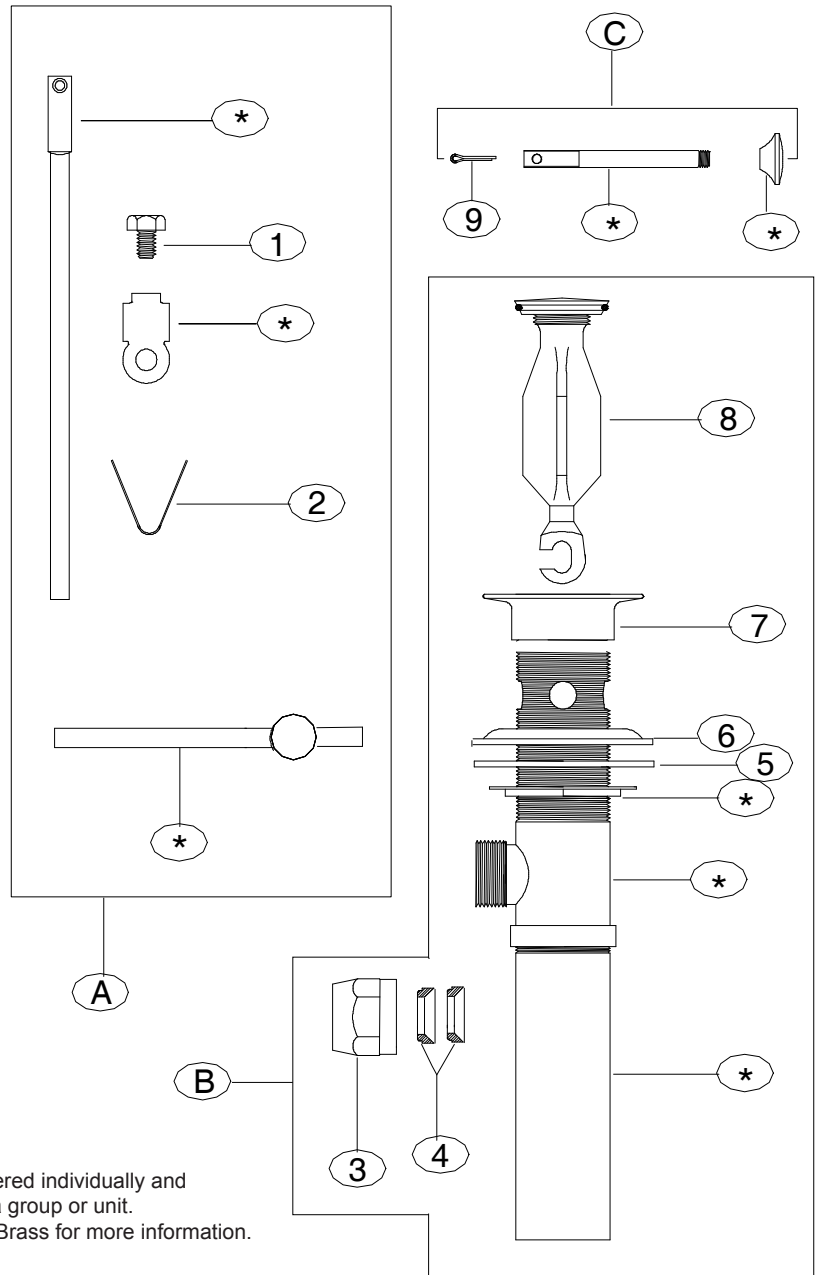
www.CentralBrass.com

MODEL NO. 1178 Series
Slant Back Lavatory Faucet

For items with
 "D" Suffix
 Pop-up Drain

NEW!!! Pop-up
 Item Number 1109
 is now supplied.
 Part Number 1104 or 1105
 was supplied with items
 shipped before 7-1-2002

REPLACEMENT PARTS



* These items are not offered individually and must be purchased as a group or unit. Please contact Central Brass for more information.

#	Part #	Description
A	G-195-EBST9	Lower Pull Rod Group with & Ball Lever Rod
B	SU-1109	Pop-up Drain less pull rod & bracket with Stopper & Guide (SU-2115-TP)
C	G-21	Spout Pull Rod Group
1	X113-P	Pop-up Bracket Screw (6 pcs per pack)
2	X195-C	Clip (6 pcs per pack)
3	192-NBB	Ball Lever Nut
4	X409-PT	Ball Lever Packing (12 pcs per pack)
5	X51-D	Washer (10 pcs per pack)
6	X994-1109	Mac Washer (4 pcs per pack)
7	2056-SPT1109	Top Flange
8	G-2115-TP	Stopper & Guide
9	X194	Cotter Pin (6 pcs per pack)