

# Central Brass

C O M P A N Y

Brecksville, Ohio 44141

Phone: (216) 883-0220 Fax: (440) 526-5745

www.CentralBrass.com

**6056 6076**  
**6086-Z 6266**  
**TWO-VALVE**  
**BATH/SHOWER FITTING**

## 6" Centers, I.P. Unions, Compression Stems, Replaceable Seats

- 6056 Series** Bath Valve only
- 6076 Series** Bath & Shower Valve same as 6066 with Shower Head, Arm & Flange
- 6086 Series** Bath Filler Valve with 1/2 IPS Diverter Spout
- 6266 Series** Shower Valve with Shower Head, Arm & Flange

The 2-valve bath and shower fitting is made with a cast brass body with replaceable seats designed for union connections on 6-inch centers. The stem units are all brass with a reinforced rubber packing and rubber seat washer. The stem units can be easily replaced from the front of the fitting without removing the valve body. The valve is supplied with a twin ell that connects the valve to the chrome plated diverter spout and the shower tube. The handles, spout and escutcheons are zinc die cast with a chrome plated finish. The shower arm is brass with a chrome plated finish, the escutcheon is stainless steel and the shower head is chrome plated plastic.

Direct sweat union sleeves (C suffix) are available.

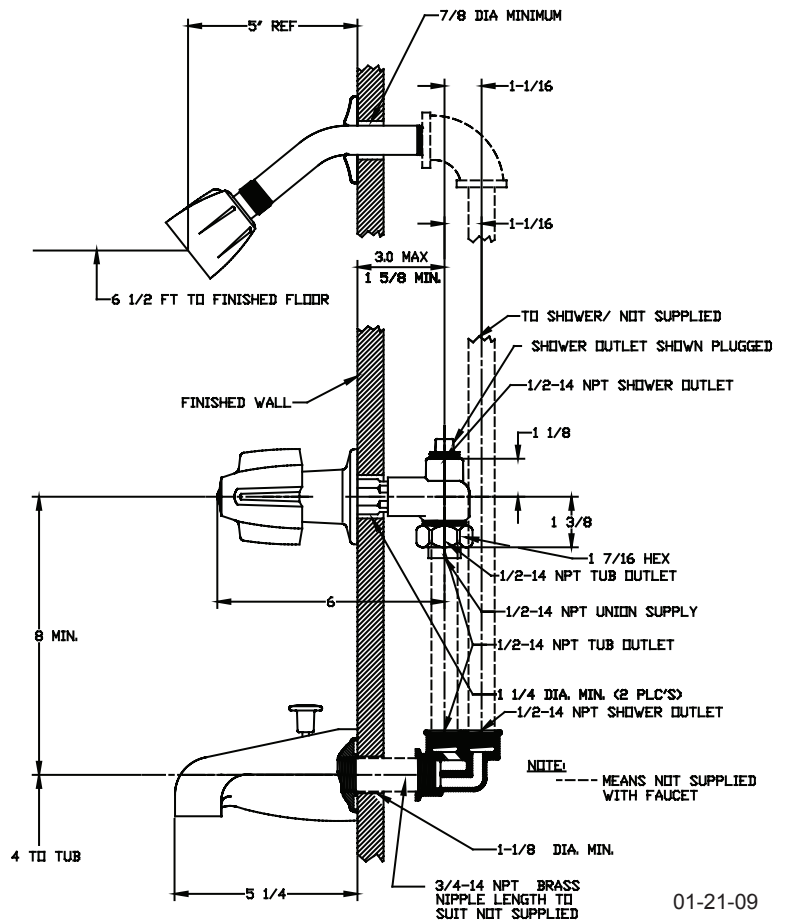
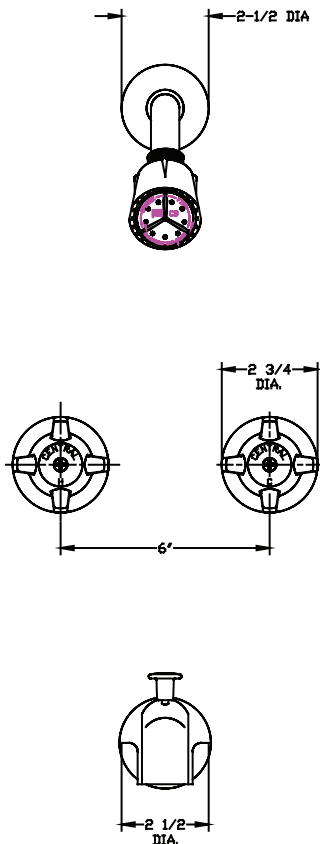


ASME A112.18.1M

Shower Flow Rate

2.5 gpm @ 80 psi

I  
n  
s  
t  
r  
a  
l  
l  
i  
n  
g  
o  
n



# Central Brass

C O M P A N Y

Brecksville, Ohio 44141

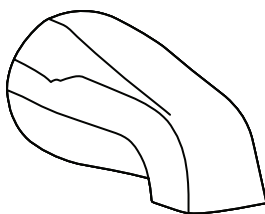
Phone: (216) 883-0220 Fax: (440) 526-5745

www.CentralBrass.com

**6056   6076**  
**6086-Z   6266**  
**TWO-VALVE**  
**BATH/SHOWER FITTING**

## *Spout variations available*

Z - Suffix  
Zamak Spout



3154-Z

## *Accessories available*

Brass  
Stem Extension



G-1548-ET  
(Available Separately)  
Used for thicker wall dimensions

# Central Brass

C O M P A N Y

Brecksville, Ohio 44141

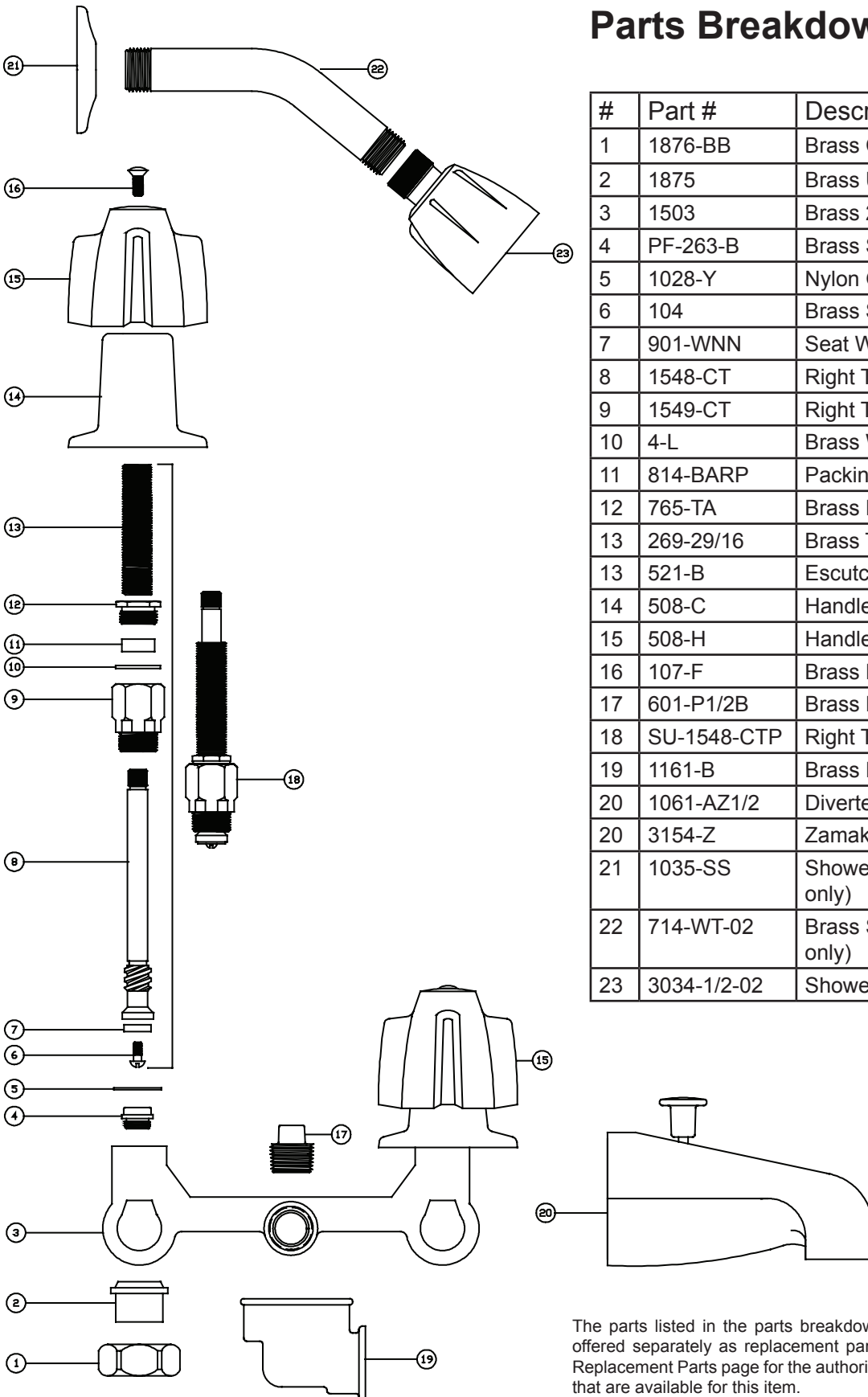
Phone: (216) 883-0220 Fax: (440) 526-5745

www.CentralBrass.com

**6056 6076**  
**6086-Z 6266**  
**TWO-VALVE**  
**BATH/SHOWER FITTING**

## Parts Breakdown

#	Part #	Description
1	1876-BB	Brass Coupling
2	1875	Brass Union
3	1503	Brass 2-Valve Body
4	PF-263-B	Brass Seat
5	1028-Y	Nylon Gasket
6	104	Brass Seat Washer Screw
7	901-WNN	Seat Washer
8	1548-CT	Right Thread Brass Stem
9	1549-CT	Right Thread Brass Bonnet
10	4-L	Brass Washer
11	814-BARP	Packing
12	765-TA	Brass Packing Nut
13	269-29/16	Brass Threaded Nipple
13	521-B	Escutcheon
14	508-C	Handle Indexed "C"
15	508-H	Handle Indexed "H"
16	107-F	Brass Phillips Head Screw
17	601-P1/2B	Brass Plug
18	SU-1548-CTP	Right Thread Stem Assembly
19	1161-B	Brass Ell (for 6076 series only)
20	1061-AZ1/2	Diverter Spout (for 6076 series only)
20	3154-Z	Zamak Spout (for 6086-Z only)
21	1035-SS	Shower Arm Flange (for 6076 series only)
22	714-WT-02	Brass Shower Arm (for 6076 series only)
23	3034-1/2-02	Showerhead (for 6076 series only)



The parts listed in the parts breakdown above may not be offered separately as replacement parts. Please review the Replacement Parts page for the authorized replacement parts that are available for this item.