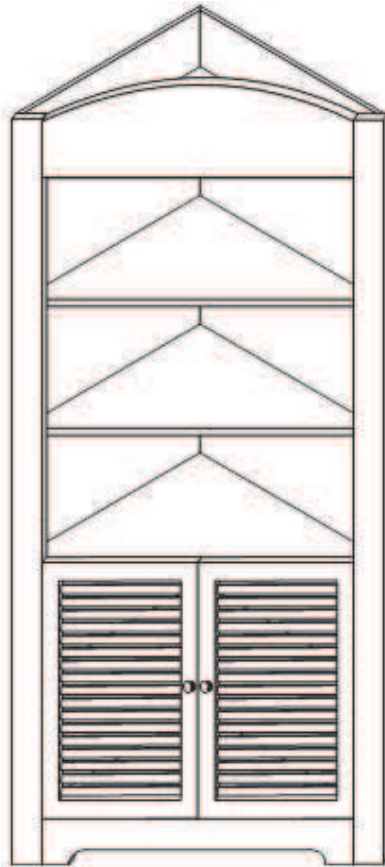




## ASSEMBLY INSTRUCTIONS



### ELLSWORTH TALL CORNER FLOOR CABINET

ITEM# 06-027 XS WHITE

ITEM# 06-028 XS ESPRESSO

This cabinet requires assembly by an adult because of small parts, care should be taken in unpacking and assembly of this item

#### **WARNING**

Young children can be killed when furniture tips over.  
Don't use for TV stand.  
Use angle-braces or anchors to secure furniture to wall.

### ADULT ASSEMBLY REQUIRED

Send requests for missing or damaged parts replacements by email to :

customer.service@ssi-rr.com

**WARNING: THIS SHELF UNIT WILL HOLD UP TO 25 POUNDS PER SHELF OR A TOTAL OF 75 POUNDS. DO NOT LOAD EACH SHELF WITH MORE THAN 25 POUNDS. IF LOADED WITH MORE THAN 25 POUNDS PER SHELF AS THIS MAY CAUSE DAMAGE TO THE SHELF AND MAY CAUSE SERIOUS INJURY OR DEATH**







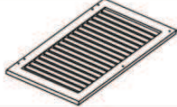
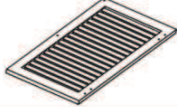

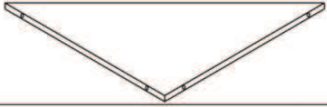







## **WARNING**


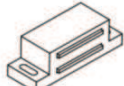








**Serious or fatal crushing injuries can occur from furniture tip-over. To help prevent tip-over:**

- Place heaviest items in the lowest drawers
- Do not set TVs or other heavy objects on top of this product.
- Never allow children to climb or hanging on drawers, doors or shelves.
- Never open more than one drawer at a time.  
(OR)
- Do not defeat or remove drawer interlock system.

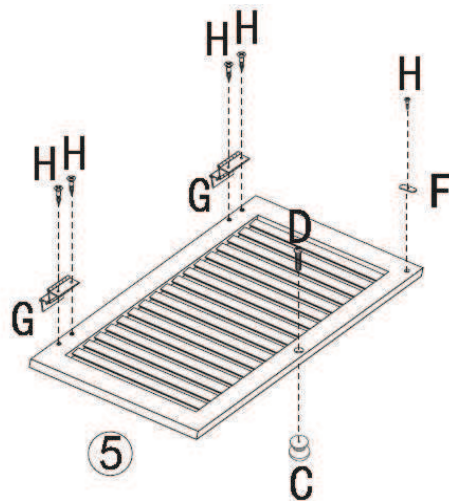
**Use of tip-over restraints may only reduce, but not eliminate the risk of tip-over.**

## PARTS LIST

1		1PC	FRONT UPPER BOARD
2		1PC	LEFT SIDE SUPPORT BOARD
3		1PC	RIGHT SIDE SUPPORT BOARD
4		1PC	CROSS BAR
5		1PC	RIGHT SIDE DOOR
6		1PC	LEFT SIDE DOOR
7		2PCS	SHELF
8		2PCS	SHELF
9		1PC	SHELF
10		1PC	SHELF
11		1PC	LEFT SIDE PANEL
12		1PC	RIGHT SIDE PANEL
A		18PCS	WOOD DOWEL
B		4PCS	SHELF HOLDER
C		2PCS	KNOB

D		2PCS	MACHINE SCREW
E		1PC	MAGNET
F		2PCS	MAGNET PLATE
G		4PCS	HINGE
H		18PCS	SCREW M3x10mm
J		2PCS	SCREW M3x14mm
K		12PCS	SCREW M3. 5x20mm
M		22PCS	SCREW M3. 5x25mm
O		4PCS	SCREW M3. 5x40mm
P		4PCS	PLASTIC ANCHOR

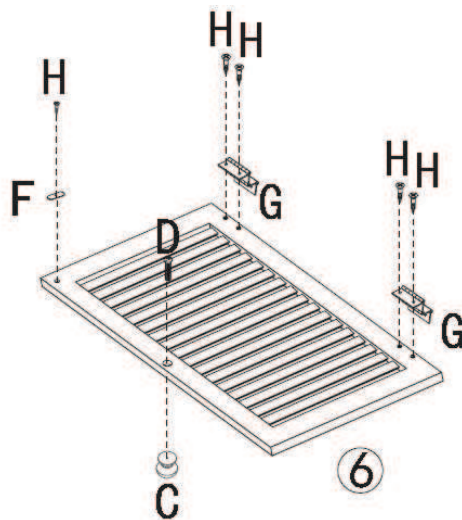
## STEP1



## STEP1

1. Insert 1 screw (H) through hole on the magnet plate (F) then tighten to right side door (5) by using a Philips screwdriver.
2. Attach knob (C) to the right side door (5),insert 1 machine screw (D) which comes with knob through hole on the right side door (5) then tighten to knob (C) by using a Philips screwdriver.
3. Insert 2 screws (H) through holes on the hinge (G) then tighten to the right side door (5) by using a Philips screwdriver.
4. Repeat the above step to assemble another hinge .

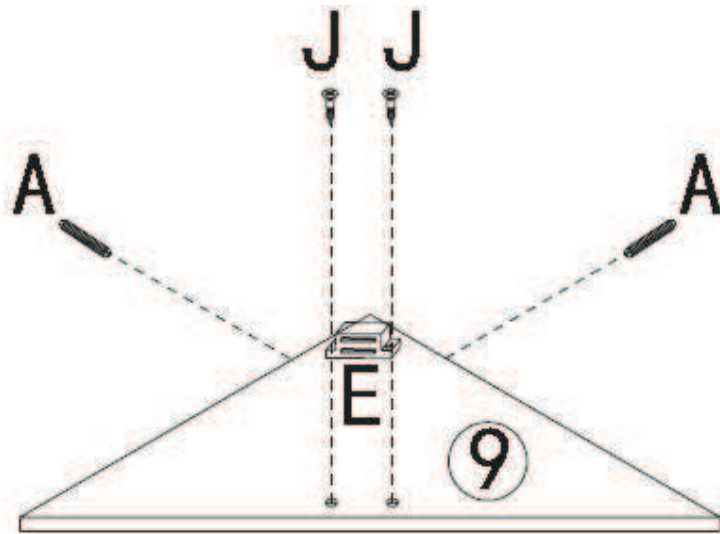
## STEP2



## STEP2

1. Insert 1 screw (H) through hole on the magnet plate (F) then tighten to left side door (6) by using a Philips screwdriver.
2. Attach the knob (C) to the left side door (6),insert 1 machine screw (D) which comes with knob (C) through hole on the left side door (6) then tighten to knob (C) by using a Philips screwdriver.
3. Insert 2 screws (H) through holes on the Hinge (G) then tighten to the left side door (6) by using a Philips screwdriver.
4. Repeat the above step to assemble another Hinge (G).

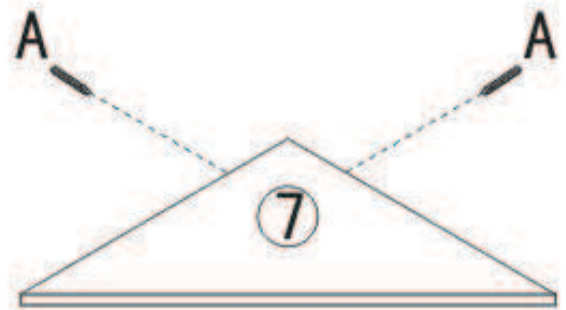
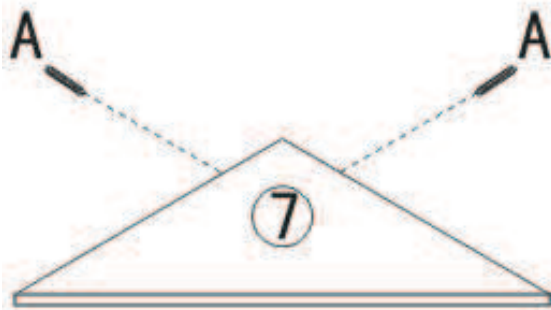
### STEP 3



### STEP 3

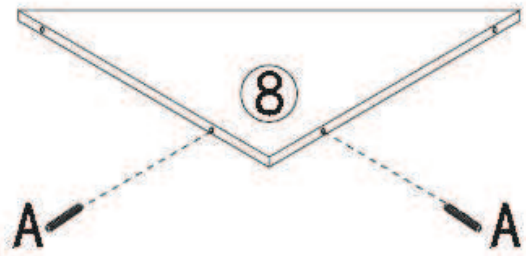
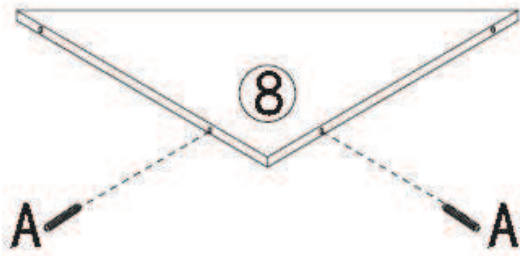
1. Insert 2 screws (J) through holes on the magnet (E) then tighten to the shelf (9) by using a Philips screwdriver.
2. Insert 2 wood dowels (A) into the dowel holes on the shelf (9).

### STEP 4



### STEP 4

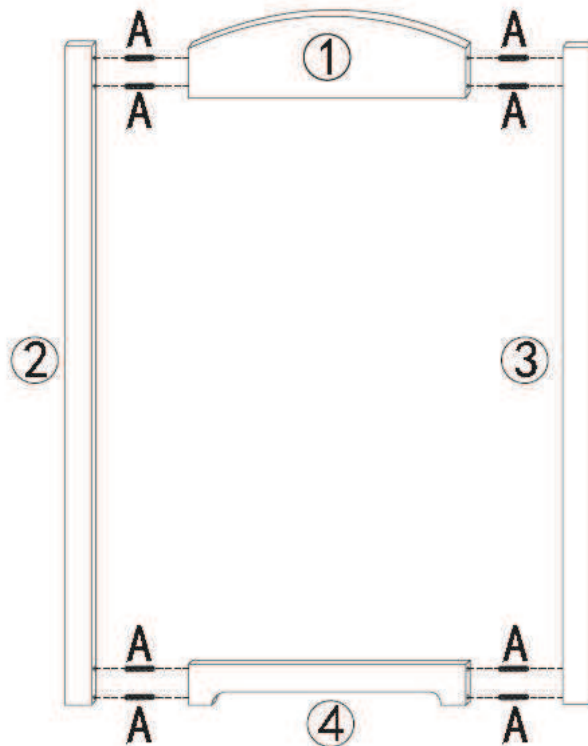
1. Insert 2 wood dowels (A) into the dowel holes on the shelf (7).
2. Insert 2 wood dowels (A) into the dowel holes on the another shelf (7)



## STEP 5

1. Insert 2 wood dowels (A) into the dowel holes on the shelf (8).
2. Insert 2 wood dowels (A) into the dowel holes on the another shelf (8).

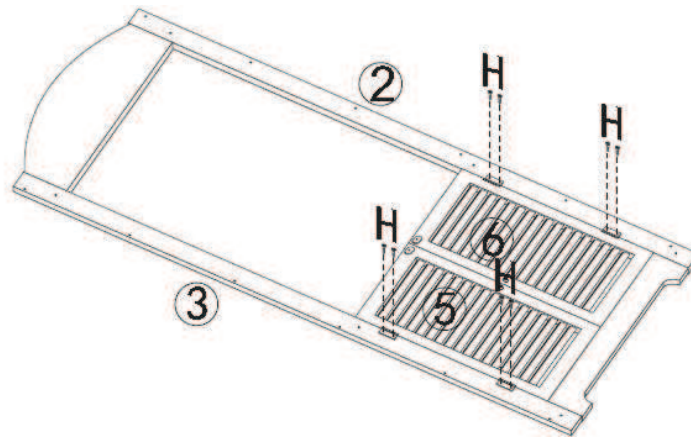
## STEP6



## STEP6

1. Insert 4 wood dowels (A) into the dowel holes on each end of the front upper board (1).
2. Insert 4 wood dowels (A) into the dowel holes on each end of the cross bar (4).
3. Attach the left side support board (2) to the front upper board (1) and cross bar (4) by inserting wood dowels into dowel holes on the left side support board (2).
4. Attach the right side support board (3) to the front upper board (1) and cross bar (4) by inserting wood dowels into dowel holes on the right side support board (3).

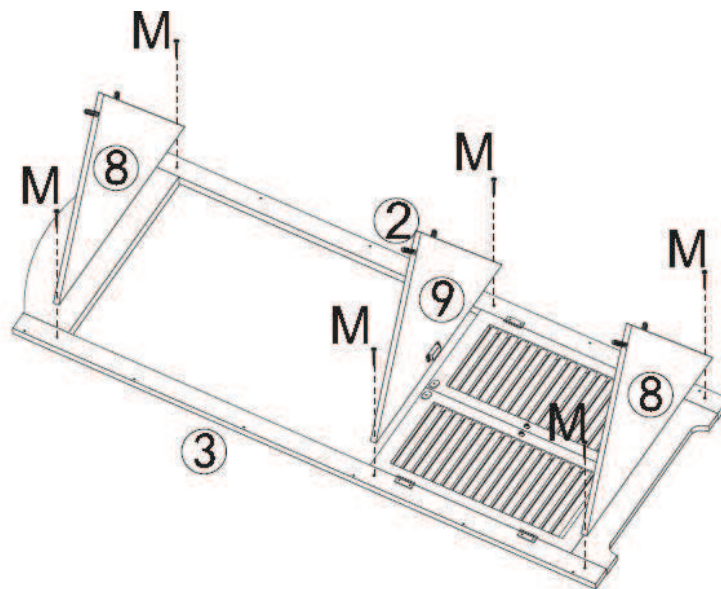
## STEP 7



## STEP 7

1. Attach the right side door (5) and left side door (6) to the left side support board (2) and right side support board (3).
2. Insert 4 screws (H) through holes on the Hinge (G) of the left side door (6) then tighten to left side support board (2) by using a Philips screwdriver.
3. Insert 4 screws (H) through holes on the Hinge (G) of the right side door (5) then tighten to right side support board (3) by using a Philips screwdriver.

## STEP 8

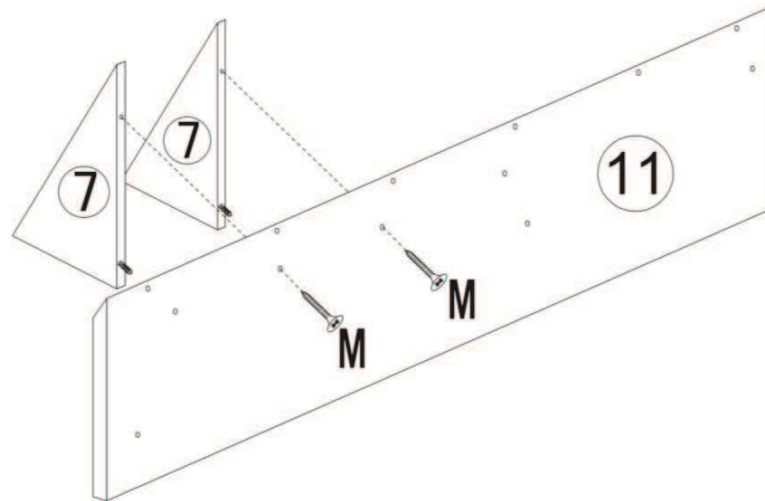


## STEP 8

1. Attach the shelf (8) to the pre-assembly both side support board (2),(3).
2. Insert 2 screws (M) through holes on the shelf (8) then tighten to the left side support board (2) and right side support board (3) by using a Philips screwdriver.
3. Repeat the above step to assembly another shelf (8).
4. Attach the shelf (9) to the pre-assembly both side support board (2),(3).
5. Insert 2 screws (M) through holes on the shelf (9) then tighten to the left side support board (2) and right side support board (3) by using a Philips screwdriver.



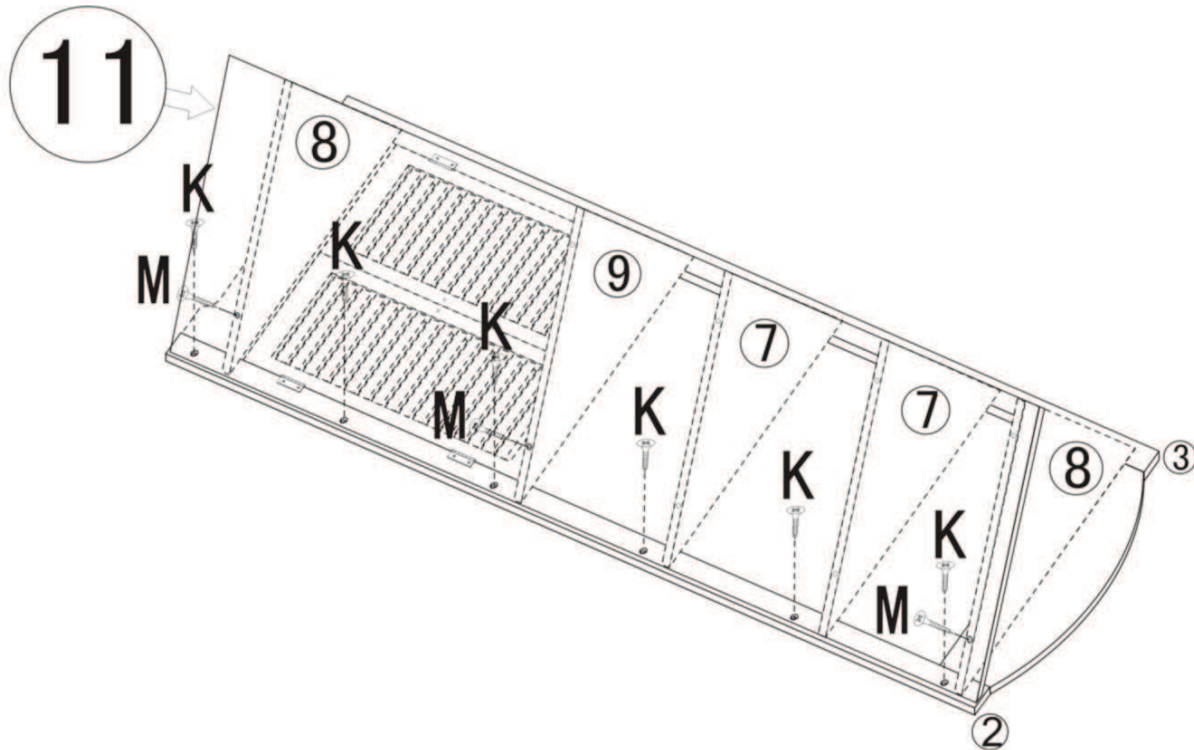
## STEP 9



## STEP 9

1. Attach the shelf (7) to the right side panel (11) by inserting wood dowels into dowel holes on the right side panel (11).
2. Insert 1 screw (M) through hole on the right side panel (11) then tighten to the shelf (7) by using a Philips screwdriver.
3. Repeat the above step to assembly another shelf (7).

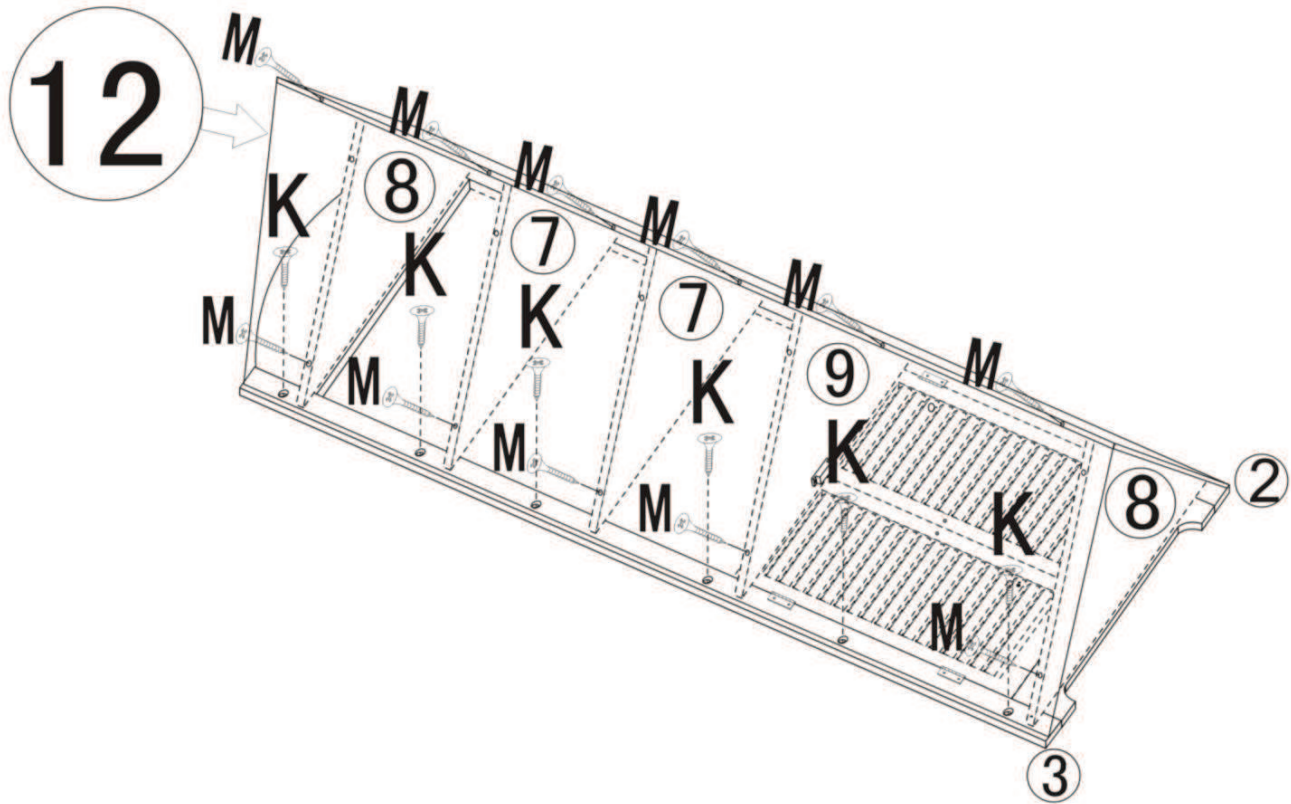
## STEP 10



## STEP10

1. Attach the shelves (7) and right side panel (11) to the pre-assembly both side support board (2),(3) and shelves (8),(9).
2. Insert 6 screws (K) through holes on the right side panel (11) then tighten to the right side support board (3) by using a Philips screwdriver.

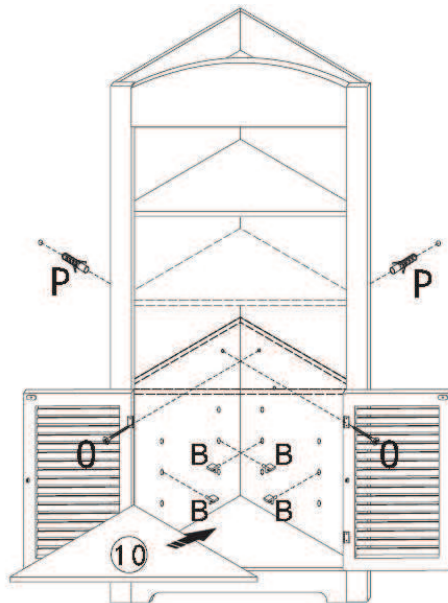
## STEP 11



## STEP11

1. Insert 3 screws (M) through holes on the right side panel (12) then tighten to the shelves (8) and the shelf (9) by using a Philips screwdriver.
2. Attach the left side panel (12) to the pre-assembly cabinet.
3. Insert 12 screws (M) through holes on the left side panel (12) then tighten to 2 shelves (7),2 shelves (8) and the shelf (9) by using a Philips screwdriver.
4. Insert 6 screws (K) through holes on the left side panel (12) then tighten to left side support board (2) by using a Philips screwdriver.

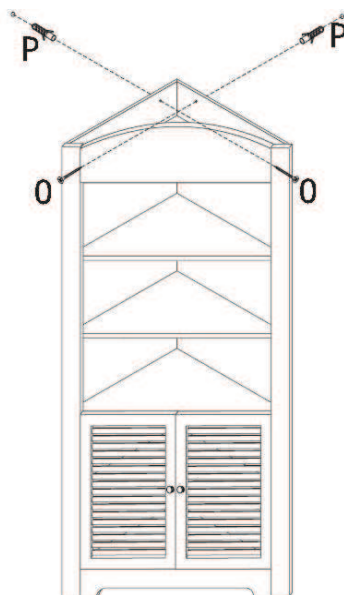
## STEP12



## STEP12

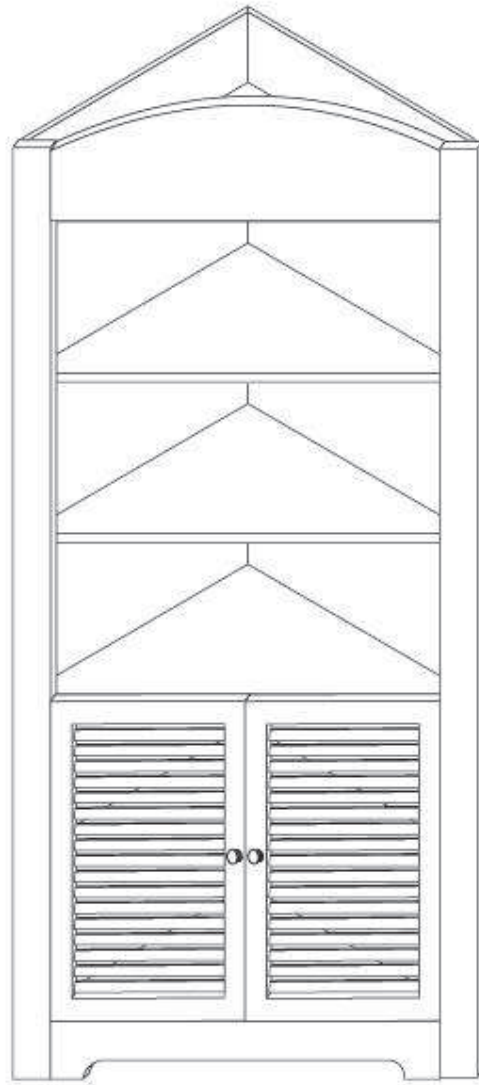
1. Place the drawing with hole position on the wall that you desire to hang the cabinet.
2. Drill 2 holes through the hole position on the drawing.
3. Insert 2 plastic anchors (F) into the holes.
4. Attach the cabinet in place w/holes, then insert 2 screws (O) through holes on the left side panel (11) and right side panel (12) then tighten to cabinet to the wall by using a Philips screwdriver.
5. Insert 4 holders (B) into holes on the position that you desire to for the shelf (10).
6. Place the shelf (10) onto the 4 holders (B).

## STEP13



## STEP13

1. Drill the 2 holes through the hole position on the drawing.
2. Insert 2 plastic anchors (P) into the holes.
3. Attach the cabinet in place w/holes, then insert 2 screws (O) through holes on the left side panel (11) and right side panel (12) then tight to cabinet to the wall by using a Philips screwdriver.



## YOU CAN ENJOY YOUR NEW CABINET NOW!

Attention Adults: The cabinet should be check periodically for damaged or loose screws/parts. Take appropriate action necessary to correct the hazard such as tightening of screws and taking any damaged parts away from the children.

Thank for purchasing these RiverRidge® Home Products. We hope you enjoy them.

You can contact us at [customer.service@ssi-rr.com](mailto:customer.service@ssi-rr.com) with any questions or comments.

RiverRidge® is a registered trademark of Sourcing Solutions Inc., Hudson, WI 54016.