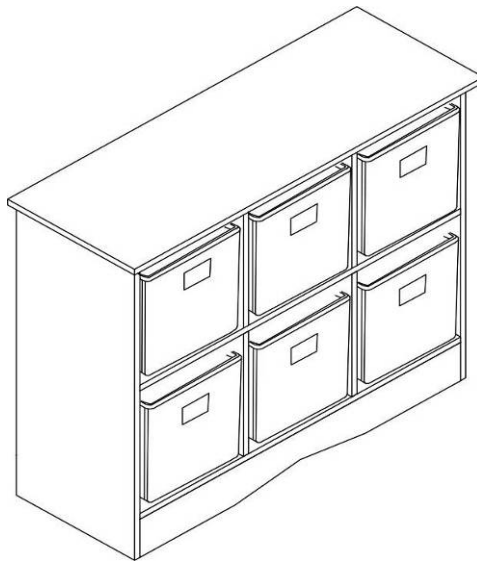




ASSEMBLY INSTRUCTIONS



RiverRidge® KIDS 6-BIN STORAGE CABINET

ITEM# 02-034 ESPRESSO

ITEM# 02-052 WHITE/PRIMARY

ITEM# 02-053 WHITE/JEWEL TONE

ADULT ASSEMBLY REQUIRED

This product requires assembly by an adult because of the small parts. Care should be taken in unpacking and assembling this item to keep the small parts away from children.

WARNING

Young children can be seriously injured or killed, if furniture tips over.
Don't use this item for a TV stand.

Use angle-braces or anchors to secure furniture to the wall.

Send requests for missing or damaged parts replacements by email to :

customer.service@ssi-rr.com or call toll free 1-(844)-223-5201 or order parts on line at www.riverridgehome.com

THIS SHELF UNIT WILL HOLD UP TO 25 POUNDS PER SHELF OR A TOTAL OF 75 POUNDS. DO NOT LOAD EACH SHELF WITH MORE THAN 25 POUNDS. IF LOADED WITH MORE THAN 25 POUNDS PER SHELF AS THIS MAY CAUSE DAMAGE TO THE SHELF AND MAY CAUSE SERIOUS INJURY OR DEATH.

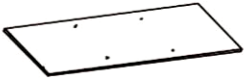






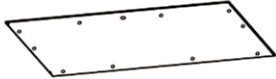





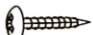


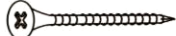



WARNING

SERIOUS OR FATAL INJURIES CAN OCCUR FROM FURNITURE TIP-OVER. TO HELP PREVENT TIP-OVER:

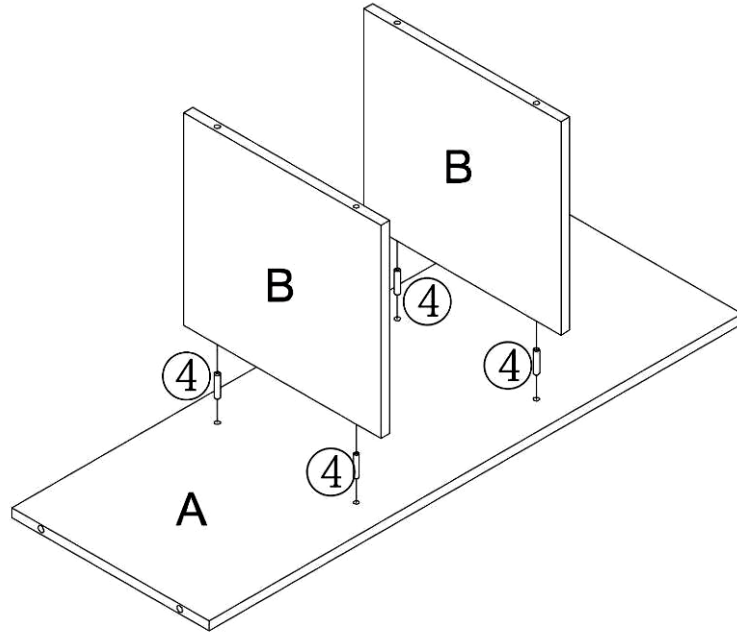
- **Always use tip over restraints and/or wall anchors to secure furniture to the wall**
- **Place heaviest items in the lowest drawers/bins or shelves.**
- **Do not set TV's or other heavy objects on the top of this product.**
- **Never allow children to climb or hang on to the drawers/bins, doors or shelves of furniture**
- **Never open more than one drawer at a time or defeat or remove any drawer interlock system**

PARTS LIST

NO	PARTS	QTY	DESCRIPTION
A		1PC	BOTTOM BOARD
B		4PCS	DIVIDER PANEL
C		1PC	DECORATIVE PANEL
D		1PC	SHELF
E		1PC	LEFT SIDE PANEL
F		1PC	RIGHT SIDE PANEL
G		1PC	TOP BOARD
H		2PCS	BACK BOARD
I		6PCS	STORAGE BIN
1		8PCS	CAM BOLT
2		8PCS	CAM LOCK
3		4PCS	LONG WOOD DOWEL
4		18PCS	SHORT WOOD DOWEL
5		22PCS	Back screw M2.5x14mm
6		2PCS	Bracket
7		1PC	Plastic anchor
8		1PC	Wall screw M3.5x30mm
9		1PC	11" Cable

**TOOLS NEEDED FOR ASSEMBLY: FLAT & PHILIPS SCREWDRIVER (NOT INCLUDED)
THE USE OF POWER SCREWDRIVER IS NOT RECOMMENDED**

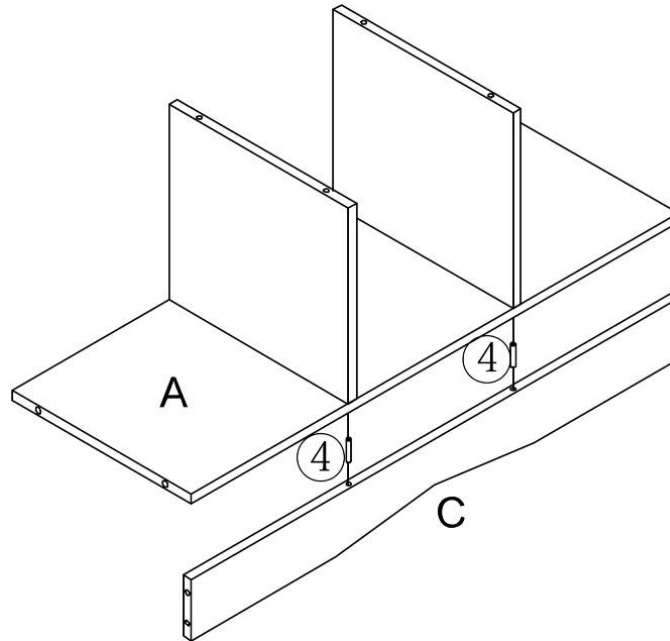
STEP 1



STEP 1

1. Insert 4 short wood dowels (4) into the pre-drilled holes on the bottom board (A).
2. Attach the divider panels (B) to the bottom board (A), by inserting short wood dowels (4) into the wood dowel holes on the divider panels (B).

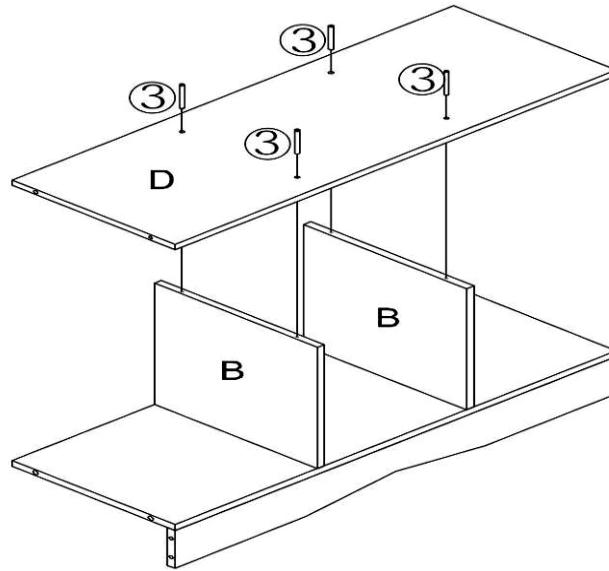
STEP 2



STEP 2

1. Insert 2 short wood dowels (4) into the pre-drilled holes on the bottom of bottom board (A).
2. Attach the decorative panel (C) to the bottom board (A), by inserting short wood dowels (4) into the wood dowel holes on the decorative panel (C).

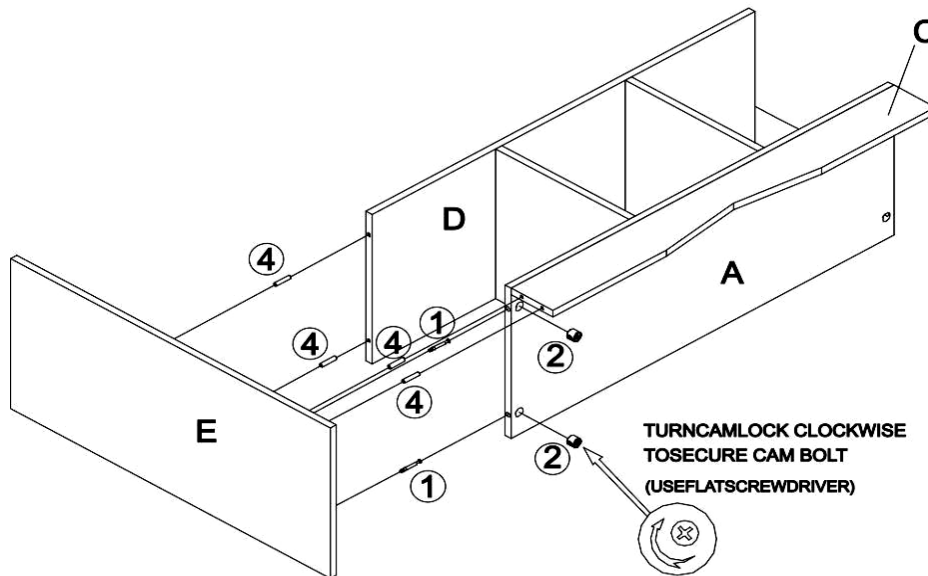
STEP 3



STEP 3

1. Attach the shelf (D) to the divider panels (B) by inserting 4 long wood dowels (3) through the pre-drilled holes on the divider panels (B).

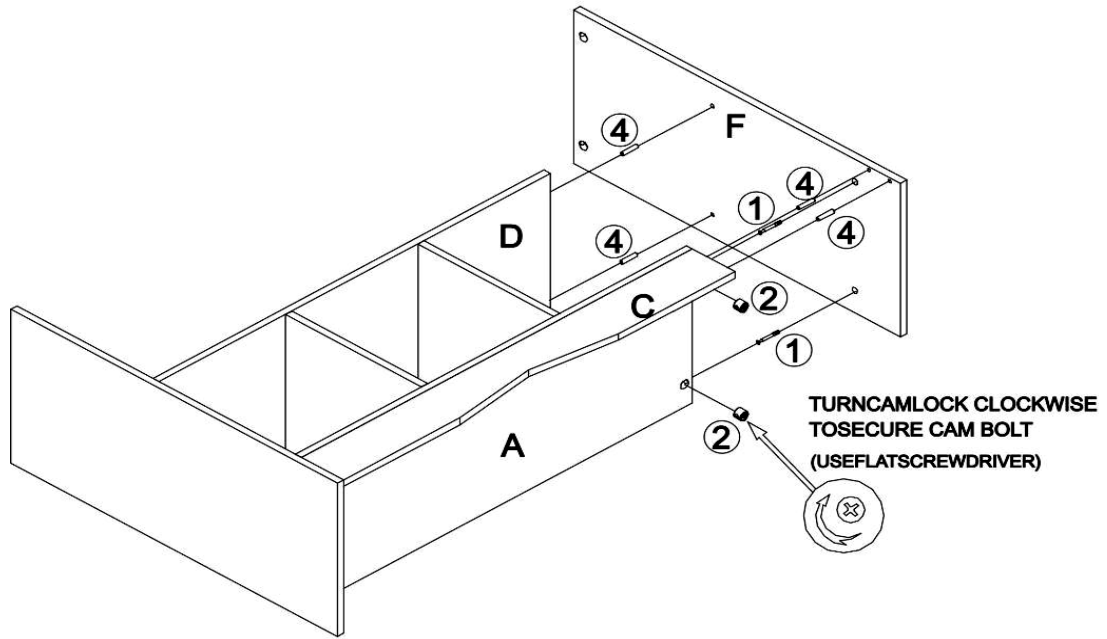
STEP 4



STEP 4

1. Insert 4 short wood dowels (4) into the pre-drilled holes on the left side panel (E).
2. Screw in 2 cam bolts (1) into the pre-threaded holes on the left side panel (E).
3. Attach the left side panel (E) to the bottom board (A), the shelf (D), and decorative panel (C) by inserting cam bolts (1), and short wood dowels (4) into cam lock holes and short wood dowel holes on the bottom board (A), the shelf (D) and decorative panel (C)
4. Insert 2 cam locks (2) into cam lock holes on the bottom board (A), and rotate clockwise to lock the cam bolts (1) in place.

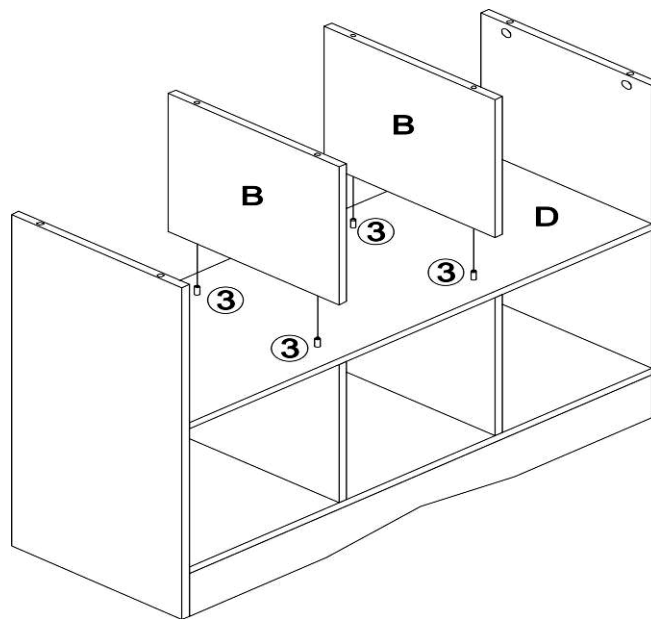
STEP 5



STEP 5

1. Insert 4 short wood dowels (4) into the predrilled holes on the right side panel (F).
2. Screw in 2 cam bolts (1) into the pre-threaded holes on the right side panel (F).
3. Attach the right side panel (F) to the bottom board (A), the shelf (D), and decorative panel (C) by inserting cam bolts (1), and short wood dowels (4) into cam lock holes and short wood dowel holes on the bottom board (A), the shelf (D) and decorative panel (C)
4. Insert 2 cam locks (2) into cam lock holes on the bottom board (A), and rotate clockwise to lock the cam bolts (1) in place.

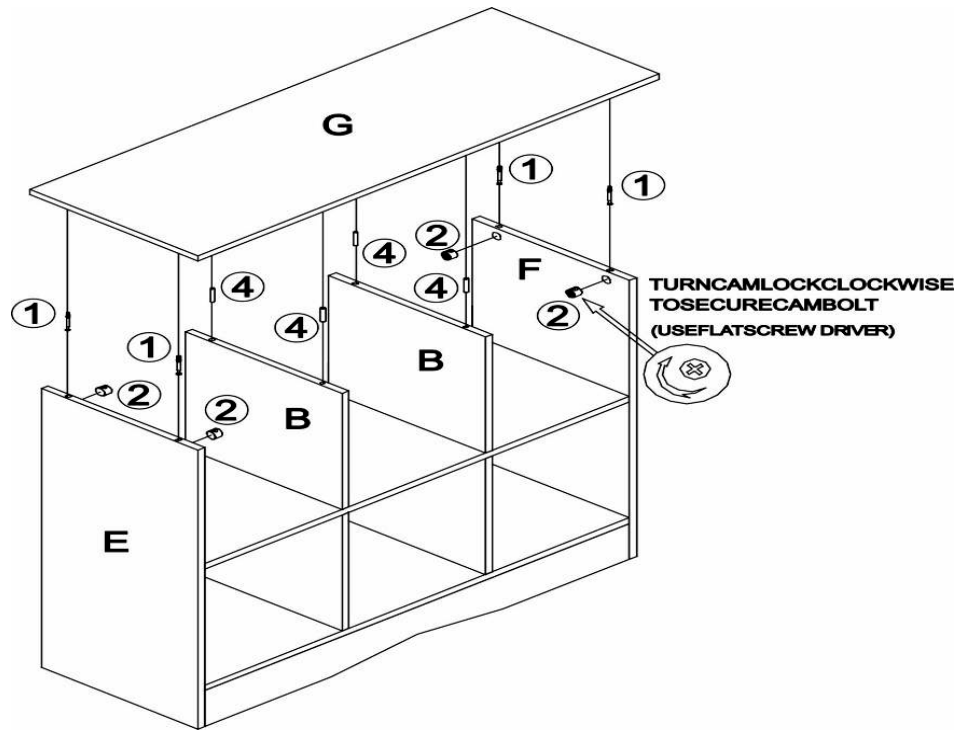
STEP 6



STEP 6

1. Attach the divider panels (B) to the shelf (D) by inserting long wood dowels (3) into the wood dowel holes on the divider panels (B).

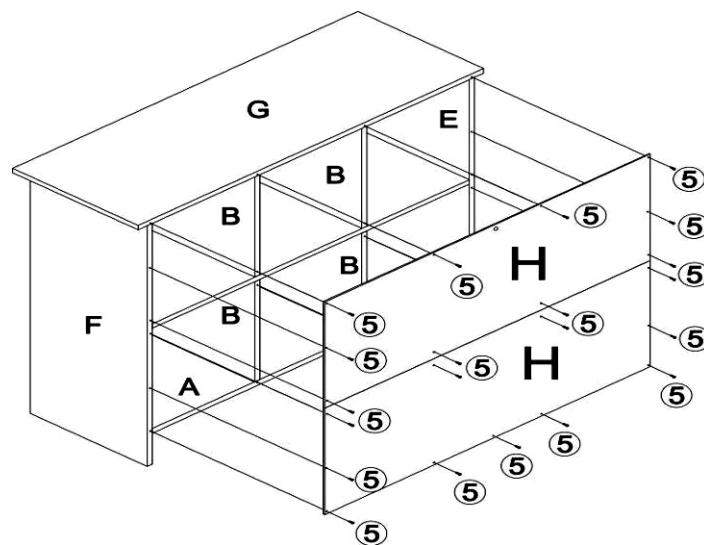
STEP 7



STEP 7

1. Insert 4 short wood dowels (4) into the pre-drilled holes on the bottom of top board (G).
2. Screw in 4 cam bolts (1) into the pre-threaded holes on the bottom of top board (G).
3. Attach the top board (G) to the both side panels (E),(F), and the divider panels (B) by inserting cam bolts (1), and short wood dowels (4) into cam lock holes and short wood dowel holes on the both side panels (E),(F), and the divider panels (B)
4. Insert 2 cam locks (2) into cam lock holes on the both side panels (E),(F), and rotate clockwise to lock the cam bolts (1) in place.

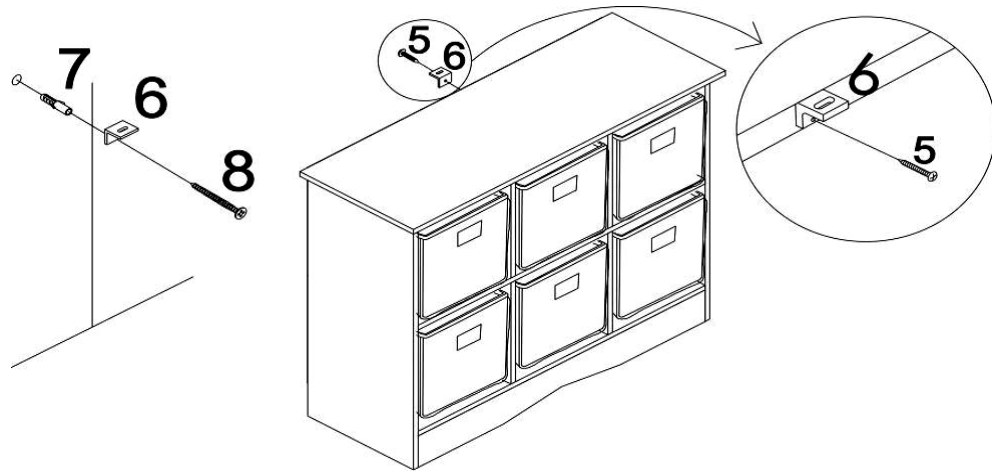
STEP 8



STEP 8

1. Attach the 2 back boards (H) to the back of cabinet by inserting 20 wood screws (5) into the holes on the back boards (H), and tighten into the back of cabinet by using a Philips screwdriver.

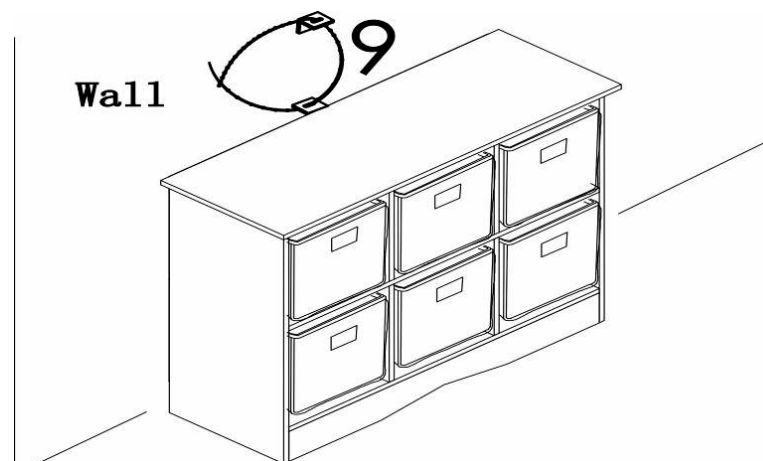
STEP 9



STEP 9

1. Attached one bracket (6) to the back of assembled cabinet by inserting 1pc wood screw (5) through the hole on the bracket(6), then tighten into the top board (G).
2. According to the height of bracket(6) that was assembled to the storage cabinet, drill one hole on the wall.
3. Insert the plastic anchor (7) into the hole on the wall.
4. Attach one bracket (6) to the plastic anchor (7) on the wall by inserting the wall screw (5) through the hole on the bracket (6) and tighten into the plastic anchor (7).

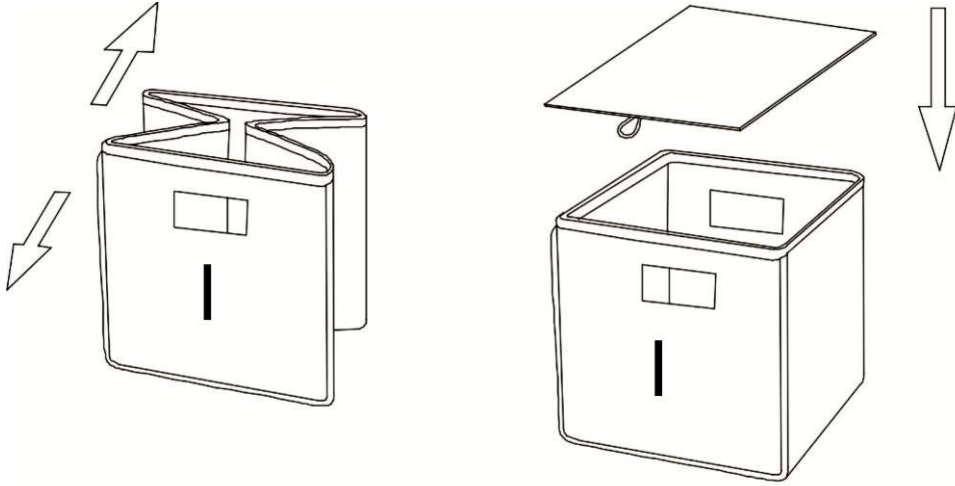
STEP 10



STEP 10

1. Place the storage cabinet against the wall and close to the bracket (6).
2. Insert plastic lock strap (9) through the hole on the bracket (6) assembled on the storage cabinet, then through the hole on the bracket (6) on the wall, then fasten the plastic lock strap (9) to fix the 2 brackets (6) firmly.

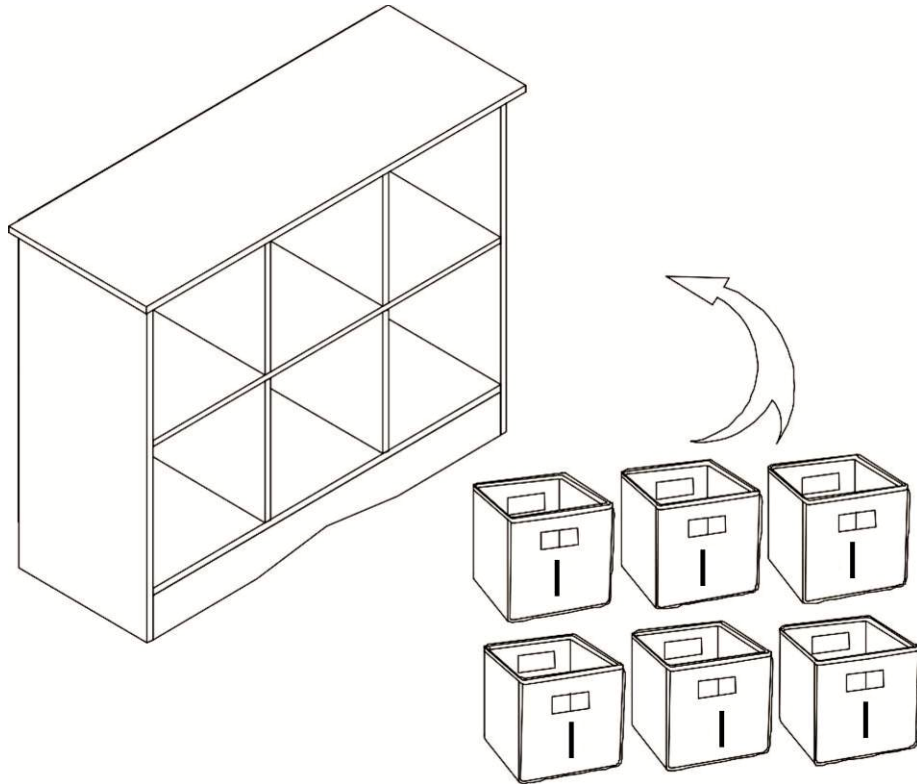
STEP 11



STEP 11

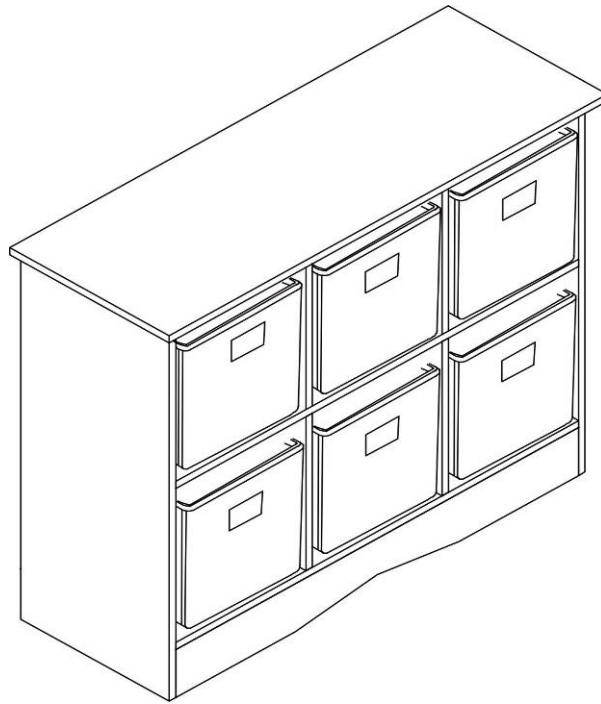
1. Take the bottom board out from the folded soft bin (I)
2. Open the folded storage bin, then put the bottom board into the soft bin (I).
(making sure the cloth tab is facing up)

STEP 12



STEP 12

1. Put the 6 small storage bins into the cabinet unit.



ENJOY YOUR NEW RiverRidge® CABINET NOW !

Attention Adults: The cabinet should be checked periodically for damage or loose screws/parts. Take appropriate action necessary to correct the hazard such as tightening of screws and taking any damaged parts away from the children.

Thank you for purchasing this RiverRidge® Kids Products item. We hope you enjoy it, and consider purchasing other RiverRidge® items.

Send requests for missing or damaged parts replacements by email to :

customer.service@ssi-rr.com or call toll free 1-(844)-223-5201 or order parts on line at

www.riverridgehome.com

RiverRidge® is a registered trademark of Sourcing Solutions, Inc., Hudson, WI 54016.

