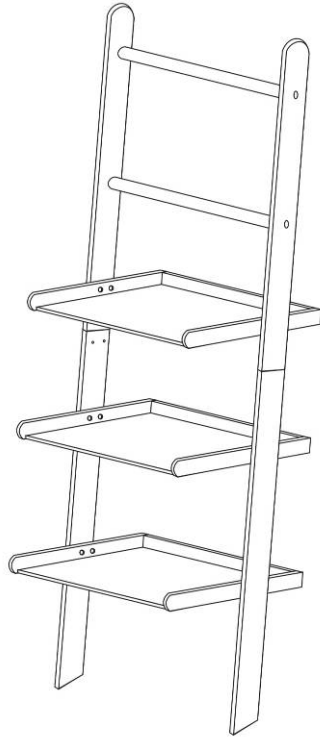




ASSEMBLY INSTRUCTIONS



LADDER SHELF

ITEM#:06-035 White

ITEM#:06-036 Espresso

ADULT ASSEMBLY REQUIRED

Caution: This Ladder Shelf requires assembly by an adult because of small parts, care should be taken in unpacking and assembly of this item

SEND REQUESTS FOR MISSING OR DAMAGED PARTS REPLACEMENTS BY EMAIL TO :
customer.service@ssi-rr.com

 **WARNING**

Young children can be killed when furniture tips over.
Do not use as a TV stand.
Use angle-braces or anchors to secure furniture to wall.

THIS SHELF UNIT WILL HOLD TO 12 POUNDS PER SHELF FOR A TOTAL OF 36 POUNDS. DO NOT LOAD EACH SHELF WITH MORE THAN 12 POUNDS. IF LOADED WITH MORE THAN 12 POUNDS PER SHELF AS THIS MAY CAUSE DAMAGE TO THE SHELF AND MAY CAUSE SERIOUS INJURY OR DEATH.



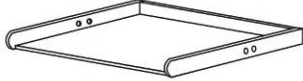
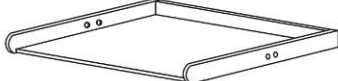


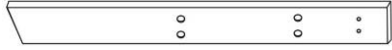

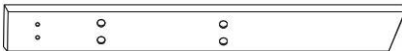

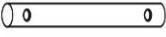


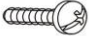


WARNING

Serious or fatal crushing injuries can occur from furniture tip-over. To help prevent tip-over:

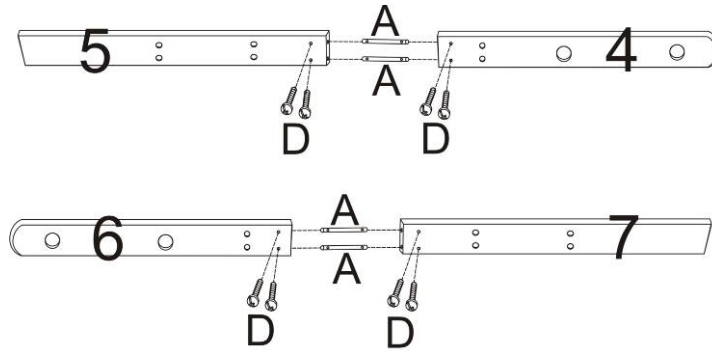
- Place heaviest items in the lowest drawers
 - Unless specifically designed to accommodate, do not set TVs or other heavy objects on top of this product.
 - Never allow children to climb or hanging on drawers, doors or shelves.
 - Never open more than one drawer at a time.
- (OR)
- Do not defeat or remove drawer interlock system.

Use of tip-over restraints may only reduce, but not eliminate the risk of tip-over.

PARTS LIST

1		1PC	TOP SHELF
2		1PC	SECOND SHELF
3		1PC	THIRD SHELF
4		1PC	LEFT UPPER SIDE PANEL
5		1PC	LEFT LOWER SIDE PANEL
6		1PC	RIGHT UPPER SIDE PANEL
7		1PC	RIGHT LOWER SIDE PANEL
8		2PCS	CROSS BAR
A		4PCS	METAL CONNECTION BAR
B		12PCS	MACHINE SCREW
C		4PCS	LONG SCREW
D		8PCS	SMALL SCREW
E		2PCS	SCREW FOR ANCHOR
F		2PCS	PLASTIC ANCHOR

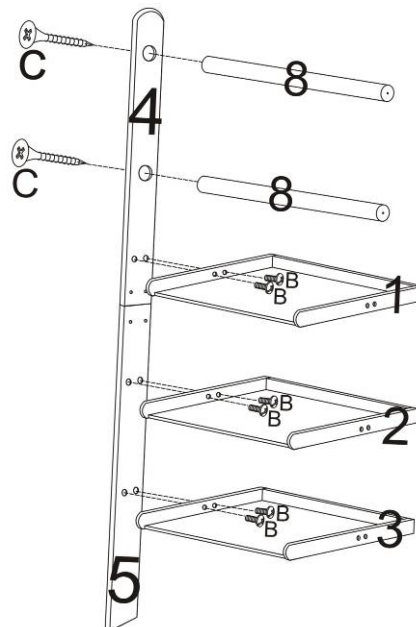
STEP 1



STEP-1:

1. Insert 2pc Metal Connection Bar (A) into the holes on the end of Left upper side panel (4), make sure the hole on the Metal Connection Bar (A) is towards the hole on the Left upper side panel (4).
2. Screw 2 Machine screws (D) through the holes on the Left upper side panel (4) and tighten to the Metal Connection Bar (A).
3. Attach Lower side panel (5) to Left upper side panel (4) by inserting the Metal Connection Bar (A) into the holes on end of Left lower side panel (5), make sure the hole on the Metal Connection Bar (A) is towards the hole on the Left lower side panel (5).
4. Screw 2 Machine screws (D) through the holes on the Left lower side panel (5) and tighten to Metal Connection Bar (A).
5. Repeat above steps to assemble another Right upper side panel (6) and Right lower side panel (7).

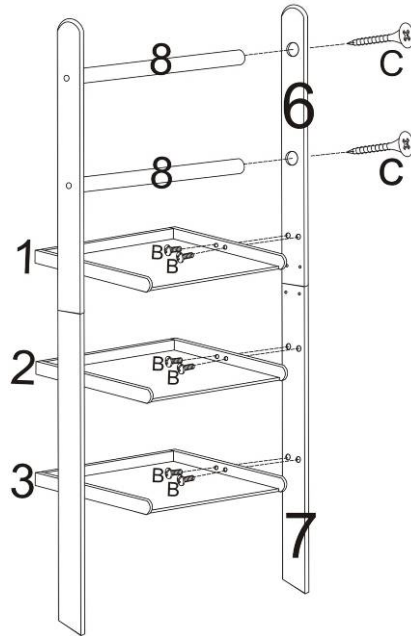
STEP 2



STEP-2:

1. Attach 2pc Wooden Cross Bar (8) to Pre-Assembled left side panel(4,5) by inserting 2pc Long screw (C) through the holes on the Left side panel then tighten to Wooden Cross bar (8).
2. Attach Top Shelf (1) to Left side panel by inserting 2pc Machine screw (B) through the holes on the Top Shelf (1) then tighten to the Left side panel.
3. Repeat above point#2 to assemble other 2 shelves (2),(3).

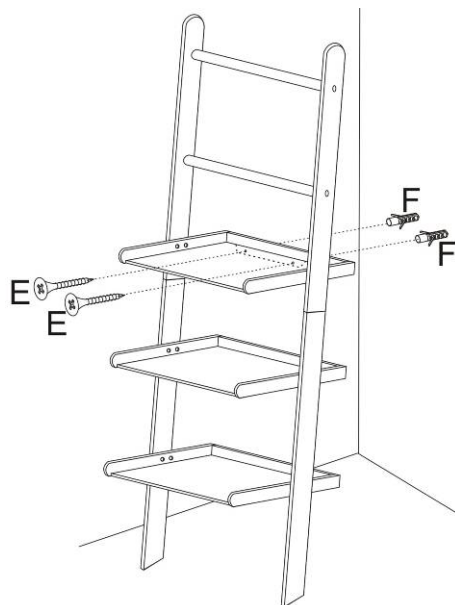
STEP 3



STEP-3:

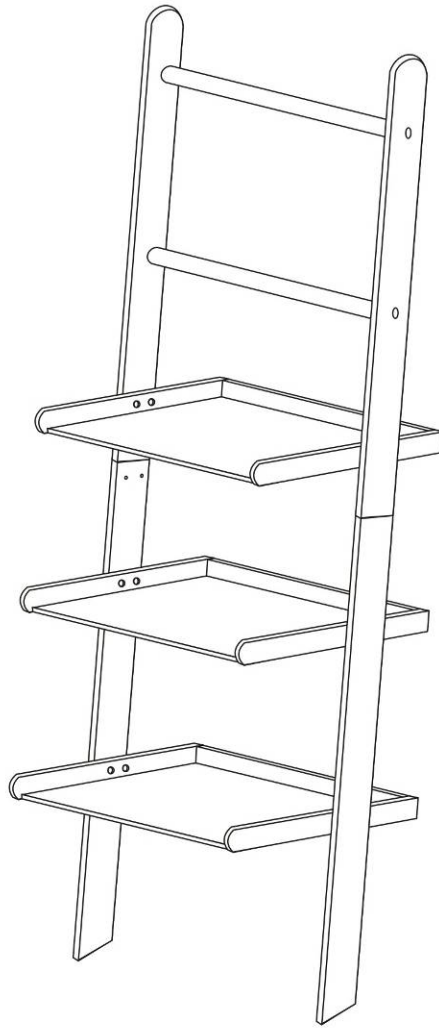
1. Attach 2pc Wooden Cross Bar (8) to Pre-Assembled Right side panel (6,7) by inserting 2pc Long screw (C) through the holes on the Right side panel then tighten to Wooden Cross bar (8).
2. Attach Top Shelf (1) to Right side panel by inserting 2pc Machine screw (B) through the holes on the Top Shelf (1) then tighten to the Right side panel.
3. Repeat above point#2 to assemble other 2 shelves (2),(3).

STEP 4



STEP-4:

1. Drill 2 hole on the wall according to the hole's distance on Top Shelf (1).
2. Insert 2pc Plastic Anchor (F) into the 2 holes on the wall.
3. Insert 2 Screw (E) through the holes on the Top Shelf (1) then tighten to 2 Plastic Anchor (F) with a Philip Screwdriver.



YOU CAN ENJOY YOUR LADDER SHELF NOW !

Attention Adults: The Ladder shelf should be checked periodically for damaged or loose screws/parts. Take appropriate action necessary to correct the hazard such as tightening of screws and taking any damaged parts away from the children.

Thank you for purchasing these RiverRidge® Home items. We hope you enjoy them.

You can contact us at customer.service@ssi-rr.com with any questions or comments.

RiverRidge® is a registered trademark of Sourcing Solutions ,Inc. Hudson,WI 54016