

CUTTINGEDGE®

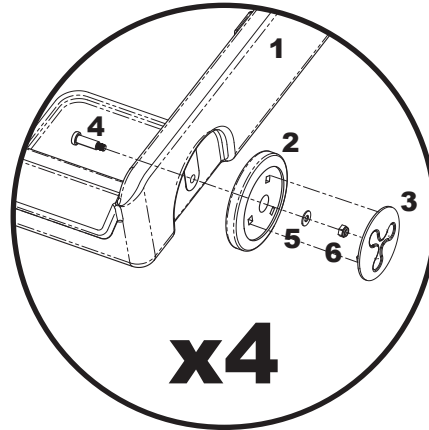
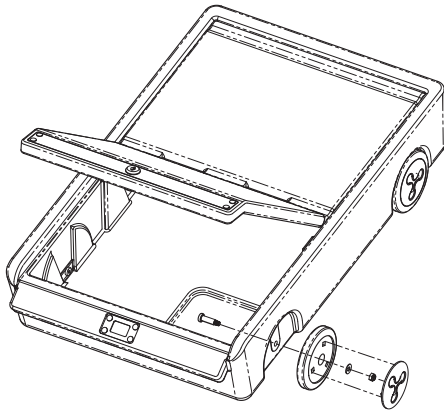
Lock & Roll

Instructions

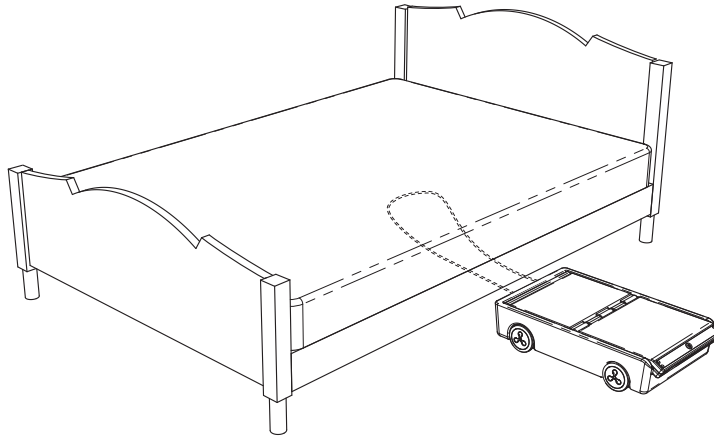
Parts List

Part	Quantity	Description
1	1 pc.	Blow molded security drawer [HDPE]
2	4 pcs.	Wheels
3	4 pcs.	Wheel covers
4	4 pcs.	Hex head bolts [M6 x 31mm]
5	4 pcs.	Washers
6	4 pcs.	Lock nuts [M6]
7	1 pc.	Security cable
8	1 pc.	Security carabiner clamp
	1 pc.	Socket wrench
	1 pc.	Hex key wrench

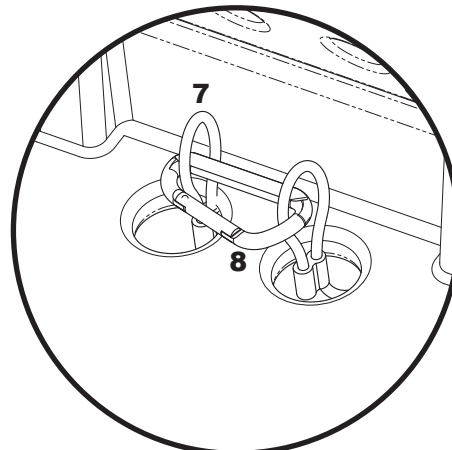
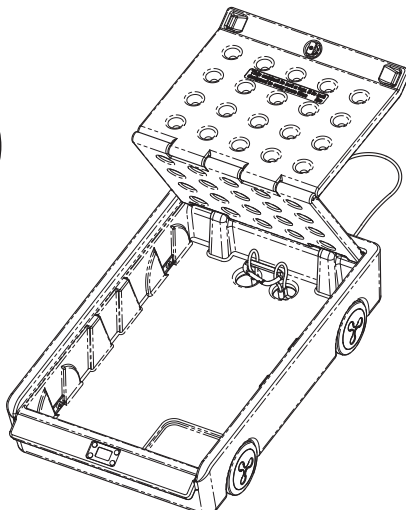
1



2



3



or

