



GC424BGL



2" x 23.25" x 20.5" (H x W x D)

4-burner gas-on-glass cooktop with sealed burners and cast iron grates

Highlights:

Smooth black ceramic glass surface offers easy cleanup and modern style

Four sealed burners with thermocouple flame failure protection

Continuous cast iron grates for durable cooking with added convenience

Burners vary from 3,400 to 8,350 BTU to accommodate all cooking needs

Product Features:

4 Sealed burners	Includes one 3,400 BTU burner, two 4,350 BTU burners, and one 8,350 BTU burner to accommodate all cooking needs
Continuous cast iron grates	Solid grates make it easy to slide cookware to different burners
Smooth EuroKera® black ceramic surface	Elite construction with modern elegance
Thermocouple flame failure protection	Automatically turns gas off after 12 seconds if flame is extinguished
Conversion kit included	Unit is preset for natural gas but can be converted to LP with included kit
Designed for built-in installation	Cutout dimensions: 2" H x 21 3/4" W x 18 3/4" D



SUMMIT APPLIANCE DIVISION FELIX STORCH, INC.

770 Garrison Avenue, Bronx, NY 10474 USA TEL 718-893-3900 FAX 844-478-8799

info@summitappliance.com

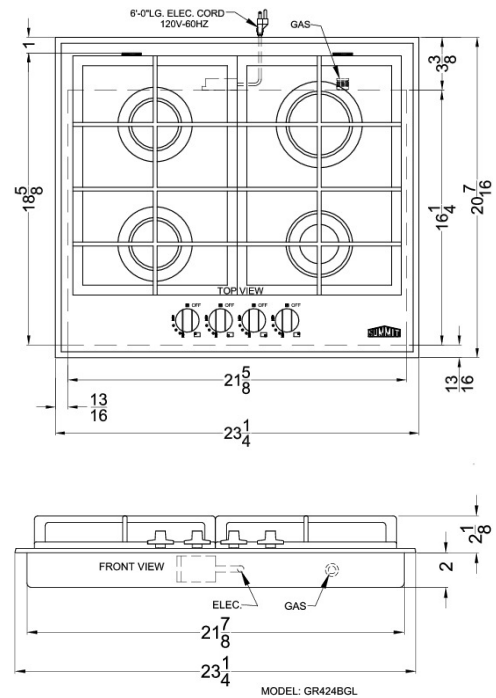


www.summitappliance.com



GC424BGL Specifications:

Overview	
Height	2.0"
Width	23.25"
Depth	20.5"
Cabinet	Black
US Electrical Safety	UL
Canadian Electrical Safety	ULC
Voltage/Frequency	115 V AC/60 Hz
Weight	24.0 lbs.
Shipping Weight	31.0 lbs.
Parts & Labor Warranty	1 Year
Gas Cooktop	
Ignition	Spark
LP Convertible	Yes
Number of Burners	4
Controls	Dial
Surface	Glass
Grate Material	Cast Iron
Cutout Height	2.0"
Cutout Width	21.75"
Cutout Depth	18.75"
Burner #1 BTU	4350.0
Burner #2 BTU	3400.0
Burner #3 BTU	8350.0
Burner #4 BTU	4350.0



SUMMIT APPLIANCE DIVISION FELIX STORCH, INC.

770 Garrison Avenue, Bronx, NY 10474 USA TEL 718-893-3900 FAX 844-478-8799

info@summitappliance.com



www.summitappliance.com