






ASSEMBLY INSTRUCTIONS

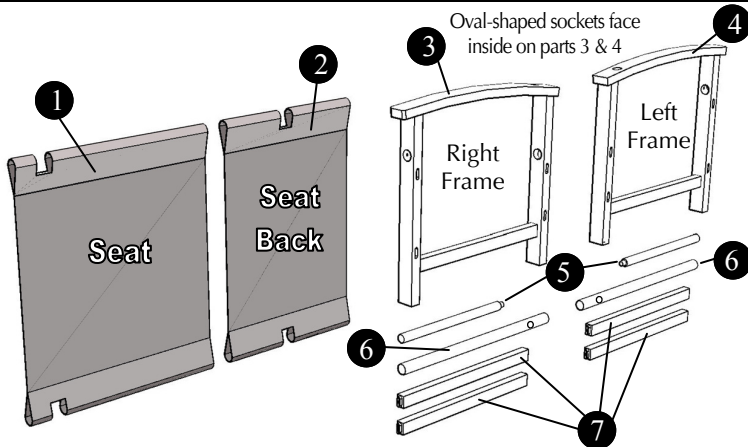
SEA BREEZE PATIO CHAIR

REVIEW ALL STEPS BEFORE STARTING ASSEMBLY

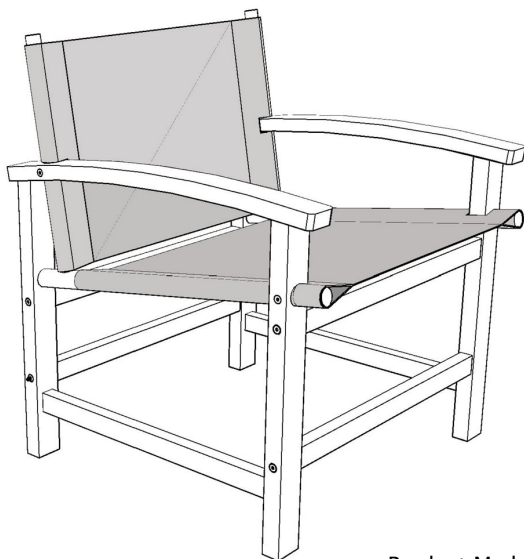
HARDWARE LIST

		Quantity
(A)		3 1/2" Lag Screw (8)
(B)		1" Screw (4)
(C)		Allen Wrench (1)

PARTS LIST



ASSEMBLED CHAIR

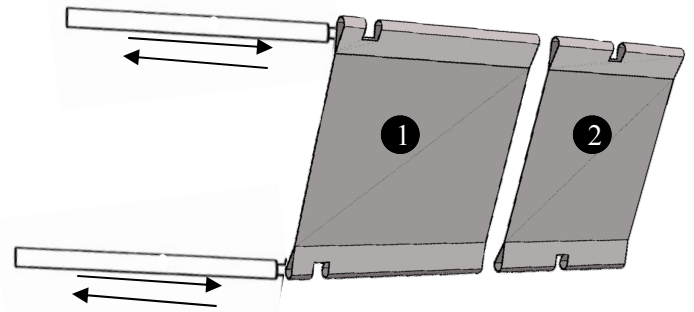


Product Made in Vietnam



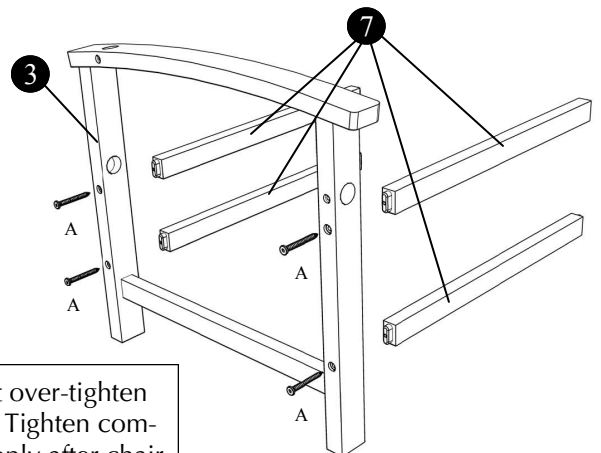
PREPARATION

Prepare fabric dowel pockets by inserting and removing a round dowel (parts 5 or 6) completely in each pocket. Repeat this process a number of times until dowels glide more easily into pockets. Remove the dowels and set all parts aside.



STEP 1

Attach the four rectangular dowels to the dowel sockets on the right frame of the chair. Do not attach the left frame at this time.



Do not over-tighten screws. Tighten completely only after chair is fully assembled.



ASSEMBLY INSTRUCTIONS

SEA BREEZE PATIO CHAIR

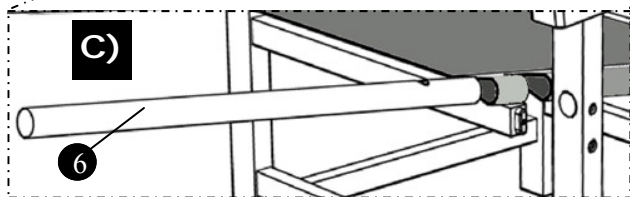
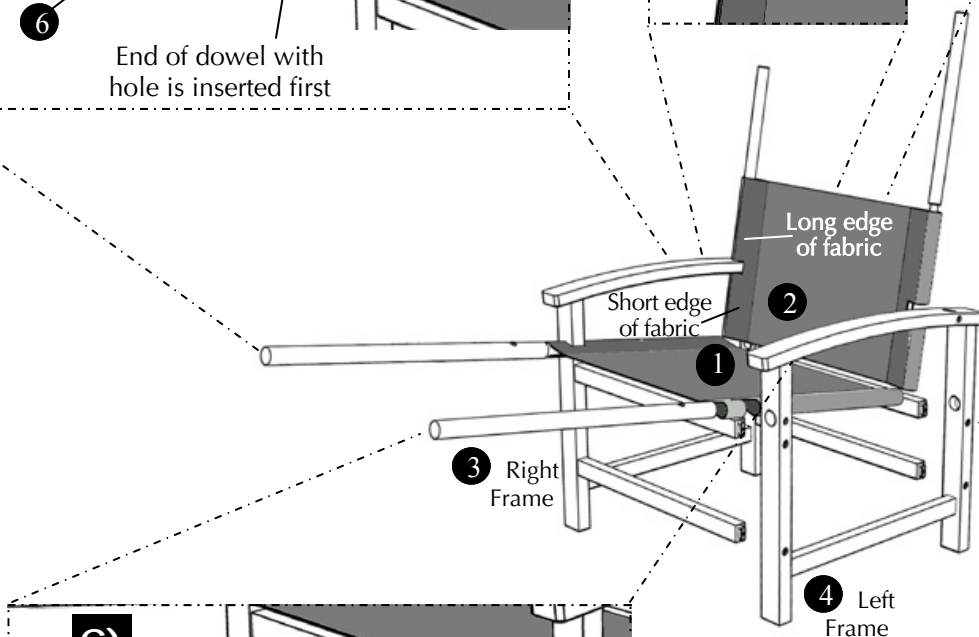
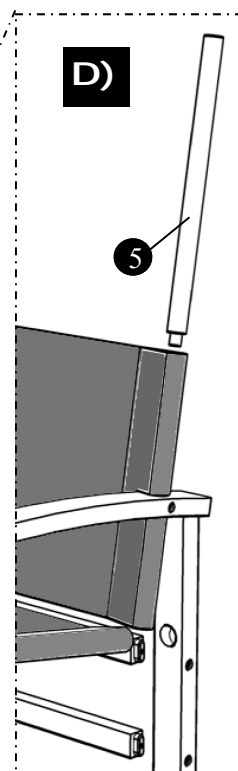
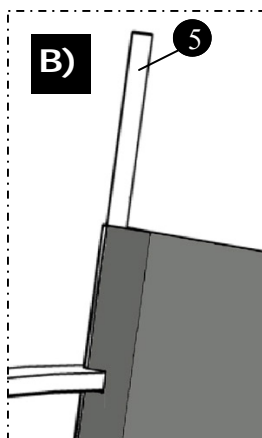
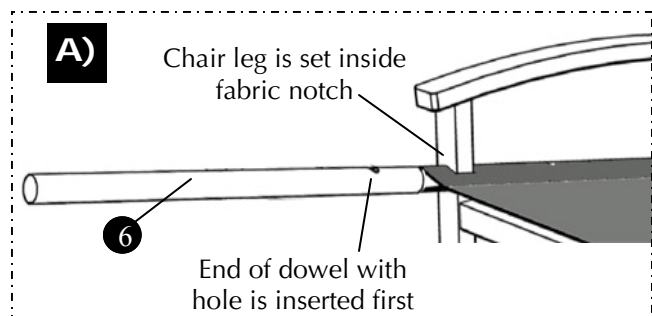
REVIEW ALL STEPS BEFORE STARTING ASSEMBLY

Tip: When completed with Step 2 chair will look as shown:

- Fabric will be loosely attached to both sides of the chair frame, secured with round dowels.
- Left frame will be attached to fabric, but will not be attached to rectangular dowels.



STEP 2 Thread each round dowel, in the order shown (A-D), through fabric pockets and chair frame at the same time. Be sure fabric is placed seam-side down.



Note: At the end of Step 2, the left frame should remain unattached to rectangular dowels.

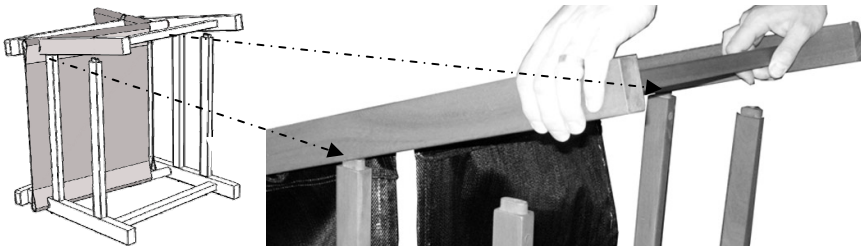


ASSEMBLY INSTRUCTIONS

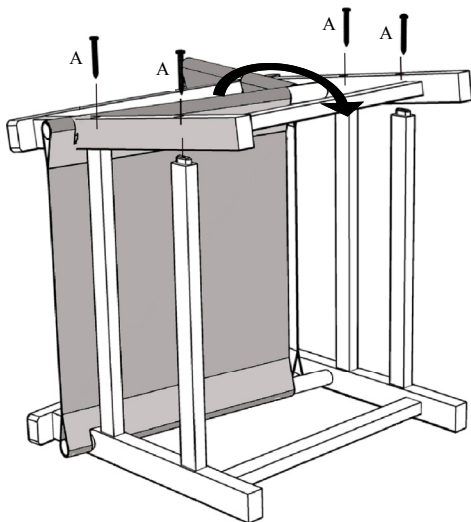
SEA BREEZE PATIO CHAIR

REVIEW ALL STEPS BEFORE STARTING ASSEMBLY

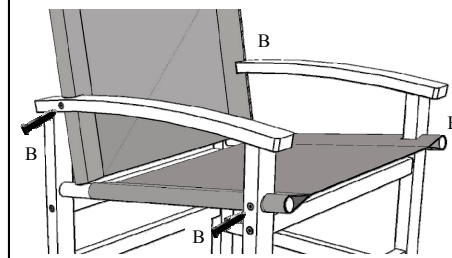
STEP 3 Position chair with right frame facing the ground. Connect the upper two rectangular dowels sockets in the left frame assembly as shown.



STEP 4 Proceed by pulling the left frame towards the lower two rectangular dowels until the remaining two sockets connect, this process also serves to tighten the seat fabric. Attach the four remaining lag screws as shown.



STEP 5 Secure round dowels with two screws on each side frame. Enjoy your new patio chair.



ENVIRONMENT

Congratulations, your purchase of Arboria furniture helps to support sustainable forest management. Arboria is dedicated to seeking out high quality wood sources which are grown and harvested using sustainable, environmentally responsible forestry techniques worldwide. You can trust the Arboria name for environmentally conscious, exceptional outdoor products.

ABOUT YOUR PRODUCT

Your furniture is made from strong and durable hardwood that will provide many years of handsome service. Your furniture has been finished with a deep penetrating linseed oil based coating that will preserve and enhance the wood's natural beauty. This factory applied oil has UV-inhibitors and is mildew resistant to protect from the damaging effects of sunlight and moisture, however, like all wood products subjected to weather, small hairline cracks may develop. These should in no way impair the strength and usefulness of the furniture.

CARE AND MAINTENANCE

To condition or recondition the wood in your furniture we recommend usage of a number of widely available furniture oils. Conditioning before first use is optional, but if choosing to do so, it is easiest to apply prior to assembly. This conditioning will revitalize the wood after what may have been a long duration since it received its factory applied oil finish. Howard's Orange Oil comes in a handy spray bottle (www.howardproducts.com, 1.800.266.9545), and Watco makes a series of quality products including Teak Oil (www.westernwooddoctor.com, 1.800.323.3584). Regular reconditioning will keep the furniture looking its best. Before storing or covering for the winter is a good time to recondition and to retighten bolts and screws that have loosened with use.

After 12-48 months your furniture may have silvered under the sun's rays. This is a natural occurrence and is often viewed as a favorable state. Alternatively, if you wish to recapture a darker look, we recommend applying an oil stain. Two good options are Cabot's Stain (www.cabotstain.com, 1.800.USStain) and Penofin's Hardwood Penetrating Oil Finish (www.penofin.com, 1.800.PENOFIN). Both are widely available and contain solids that will restore a darker color to the wood. Please be sure to follow the manufacturer's directions for preparation and application.