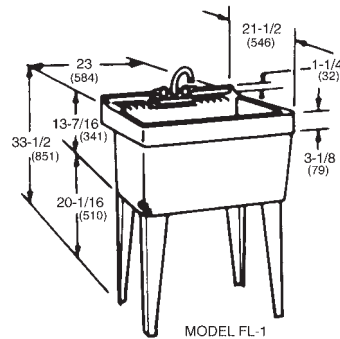


Laundry Tubs

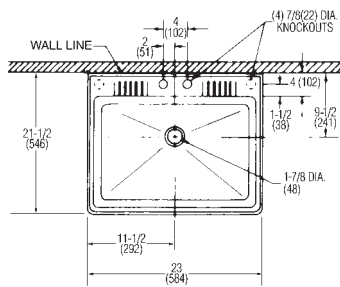


FL-1 FLOOR MOUNTED SERV-A-SINK

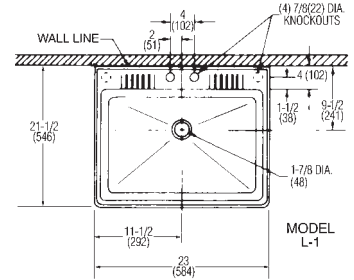


ID: 20¹/₄" x 17¹/₄" x 13"
(514 x 438 x 330)

Overall height from floor
is 34³/₄" (883)
CSA Approved



L-1 WALL HUNG SERV-A-SINK



ID: 20¹/₄" x 17¹/₄" x 13" (514 x 438 x 330)
CSA Approved

SPECIFICATIONS

MODELS: L-1, FL-1, DL-1, LTD, FLTD

Fiat Products uses a specialized SMC process (Molded Stone®) to manufacture all laundry tubs. Moldings are manufactured in matched metal dies under heat and pressure resulting in a homogeneous molded unit. Drain(s) with stopper(s) are furnished as standard equipment. Capacity shall be 76 litres (17 Imp gal) for the single tub sink and 152 litres (33 Imp gal) for the double tub sink. Laundry sinks available in white only.

Wall mounted tubs are provided with a heavy gauge galvanized - steel bracket capable of withstanding 600 pounds. The side fillers and bottom tub support, which are assembled in field to the mounting brackets, are made of white molded plastic polymer.

Floor mounted tubs are provided with white baked enamel angle legs that slip into molded sockets for rigid, friction-fit. Easy leveling devices are provided for fast, even planing. This handsome tub is capable of handling 600 pounds.

Model DL-1 tub has been designed for a countertop installation. It comes with a self-rimming flange, four locking corner bars and screws for fast tightening into integral molded mounting legs and against the underside of the countertop.

All single compartment laundry tubs are available in six-packs (L-6 and FL-6) and bulk quantities.

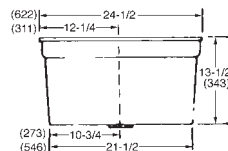
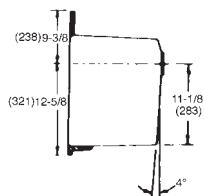
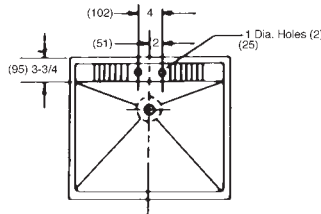
All products must be installed in accordance with installation instructions provided. Failure to do so may invalidate warranty at manufacturer's discretion.

DL-1 DROP-IN SERV-A-SINK



ID: 22¹/₈" x 17" x 12³/₄"
(562 x 432 x 324)

Underside flange rim sealant
for watertightness supplied by
others.

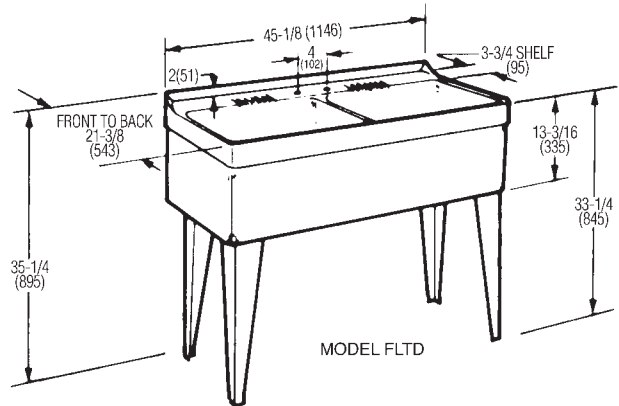


255 Hutchings St. • Winnipeg, MB • R2X 2R4 • Ph. 800-665-7531 • 204-633-6122 • Fx. 204-632-4854
e-mail: info@fiat.ca • website: www.fiat.ca

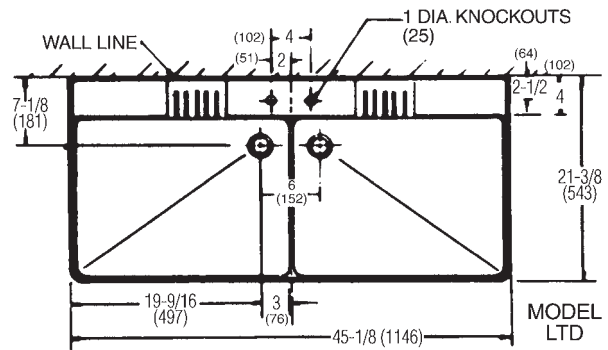
A subsidiary of CR/PL, L.L.C. Company - Evanston, IL



ID (each compartment): 21½" x 16½" x 12¾" (546 x 419 x 324)
Overall height from floor is 35¼" (895)



ID (each compartment): 21½" x 16½" x 12¾" (546 x 419 x 324)



Chrome Plated Faucet

A-1 DECK TYPE FAUCET

Quality built brass faucet with serving spout mounts on rear deck.

Sheet Molding Compound (SMC)

Consists of four dry ingredients – filler, fire retardant, thickener, and internal mold release – which are mixed together. The dry items are then mixed with liquid resin and a catalyst, which form a thick paste. The paste is then spread evenly over a sheet of polyethylene and sprinkled evenly with one-inch chopped glass fibers, which in turn is covered by another sheet of polyethylene. The sheet is then kneaded with heavy steel rollers until all fiberglass is covered with paste. The kneaded sheets are then layered and left to mature in bins for three days. The polyethylene sheets are then removed and the SMC is no longer a paste but something comparable to 1/4" wet leather. It is at this point that the sheet goes into a mold under extreme heat and pressure and a desired mold is achieved.