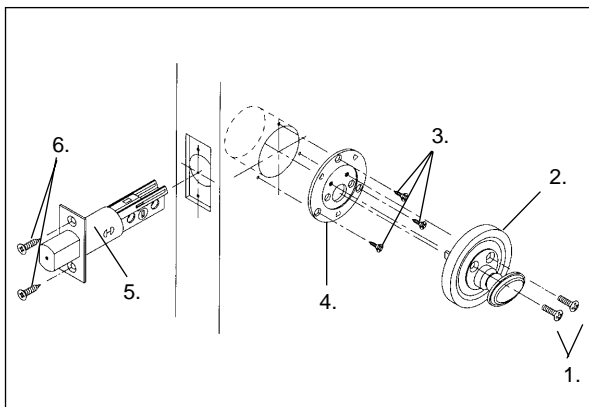


Patio Deadbolt Installation

Exploded View Patio Function Deadbolt



Parts Enclosed:

- 1. 2 each #8 - 32 Oval Head Machine Screw
- 2. 1 Turnpiece Trim
- 3. 3 each #6 x3/4" Flat Head Sheet Metal Screw
- 4. 1 Turnpiece Mounting Plate
- 5. 1 Adjustable Backset Deadbolt
- 6. 2 each #8 x 3/4" Flathead Combination Screws
- 7. 1 Tailpiece (Not Shown)

Note: See Strike Installation section for strike parts listing.

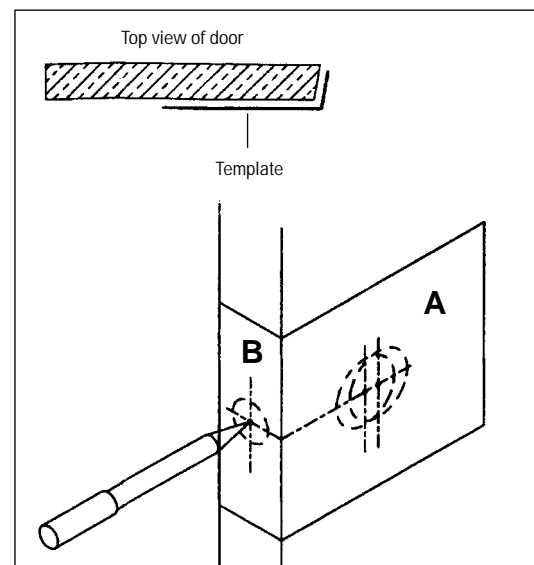
Tools Needed: Only Required for Doors Without Cutout

If your door is not pre-bored, see instructions for door preparation.

- 1. Pencil
- 2. 1-5/8" diameter hole saw
- 3. 1/2" or 3/4" wood chisel
- 4. Drill and assorted bits: 1/8", 5/32" and 1"
- 5. No. 2 and No. 3 phillips screwdrivers
- 6. Measuring device
- 7. Flathead Screwdriver

Door Preparation

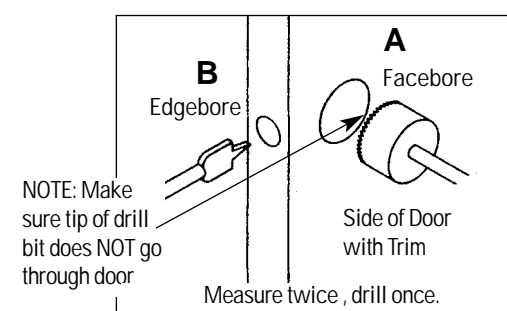
- 1** To position template fold enclosed template on line and locate on door at specified height (about 40" from the floor). If you have a new door that is not already cut-out, please follow these instructions. If your door is pre-bored please proceed to Installation-Step 5. Place the folded edge on turnpiece side of door as shown in the illustration. Determine door thickness and backset (2-3/8" or 2-3/4"). Mark the door for face and edge bores. **NOTE: IF YOUR DOOR HAS BEEN DRILLED FOR THE BALDWIN PATIO DEADBOLT. SKIP TO STEP #5**



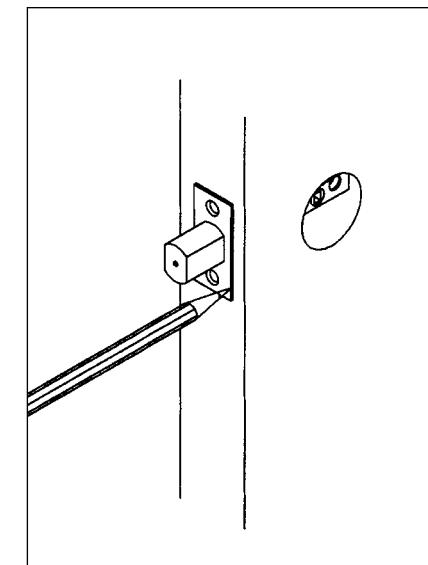
- 2** The patio deadbolt is installed on the inside ONLY of the door. **NOTE: DO NOT DRILL COMPLETELY THROUGH DOOR.**

Door Thickness	Facebore Drill Depth - A.
1-3/8"	1-3/16"
1-3/4"	1-3/8"
2"	1-1/2"
2-1/4"	1-5/8"

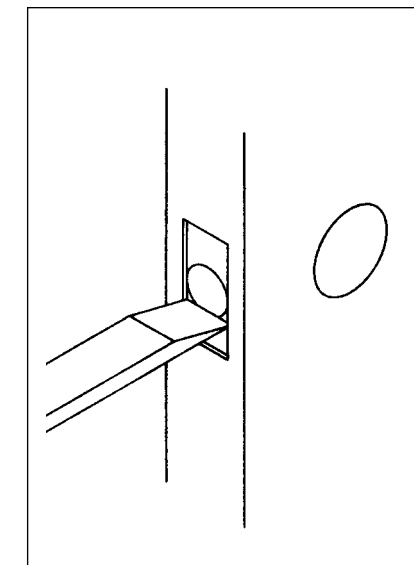
Latch Backset	Edgebore Drill Depth - B.
2-3/8"	3-1/2"
2-3/4"	3-7/8"



- 3** Insert deadbolt into edge of door while holding faceplate. Trace the outline of the faceplate onto the door edge. Mark screw hole centers and drill with a 1/8" drill.

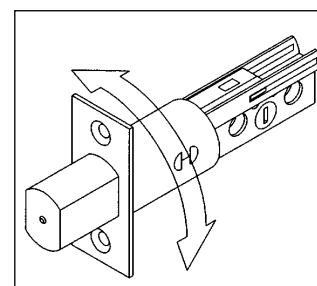


- 4** Chisel out the area marked for the faceplate to a depth of 5/32" or until faceplate is flush with door edge.

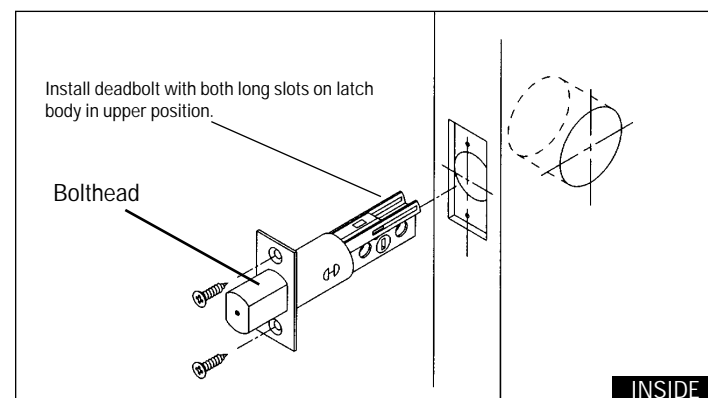


Installing Deadbolt

- 5** a. The deadbolt supplied with this unit has an adjustable backset feature. It will be set at 2-3/8" backset. To adjust to 2-3/4" backset, grasp body and twist faceplate/bolthead assembly 180° until it stops. Unit is now ready for installation in a 2-3/4" backset configuration.

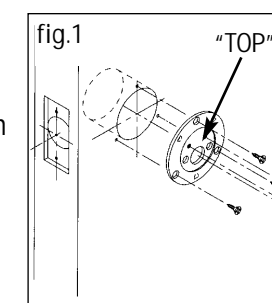


- b. Insert deadbolt into edge of door. Install with two #8 x 3/4" flat head combination screws provided (see diagram for proper positioning). Ensure bolthead is extended throughout installation procedure.

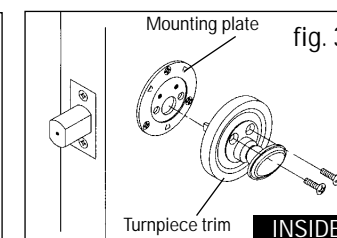
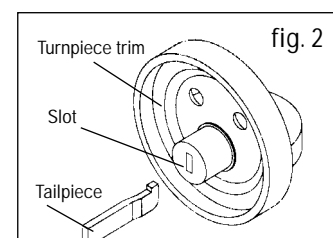


Assembly

- 6** Install the mounting plate to the door with the center recess located in the 1-5/8" hole. Make sure that stamped "Top" (fig. 1) is located at the top. Fasten mounting plate with 3 #6 x 3/4" Flat Head Sheet Metal Screws.

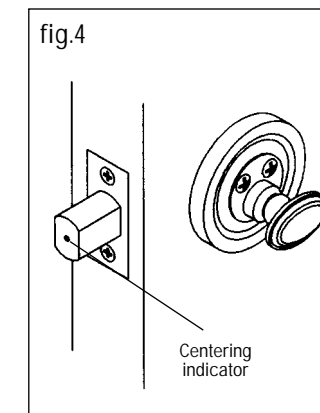


- 7** Insert tailpiece (packed in plastic bag) into slot on the back side of turnpiece trim. (fig.2) Place turnpiece trim over mounting plate keeping tailpiece vertical. Insert tailpiece into deadbolt. Attach trim to mounting plate with two #8-32 x 5/8" oval head machine screws (fig 3). Proceed to Strike Installation.

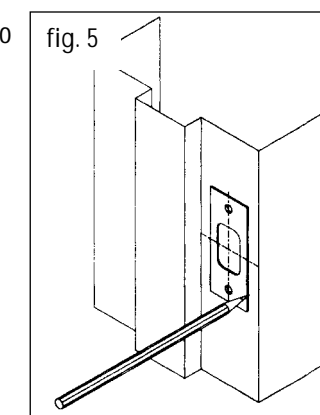


Strike Installation

- 8** Close door and extend deadbolt several times against door frame. Strike centering indicator will leave a center mark on the door frame. (fig. 4) **HINT:** Applying lipstick or graphite to end of deadbolt will leave an easy to read mark on frame.



- 9** Position strike plate on center mark. Align and trace outside of strike and mounting screws onto the door frame. (fig. 5)



Patio Deadbolt Installation

Congratulations!

With your purchase of The Images Collection solid brass patio deadbolt, you're among a group of discerning individuals who know the value of selecting the finest – Baldwin.

Images entrance locksets, interior latchsets, and deadbolts coordinate beautifully, enabling you to carry a specific design theme throughout your home.

Our step-by-step installation instructions will help guide you through your project quickly and easily.

Before you begin your installation, read and understand the installation instructions and marking templates. If you have any questions, please do not hesitate to contact our Baldwin Technical Services Department, 1-800-566-1986. We're here to help!

Technical Services Support

1-800-566-1986

Hours: 6 am to Midnight C.S.T.-7days a week.

©Baldwin Hardware Corporation
P.O. Box 15048 Reading, PA 19612

PK-1141

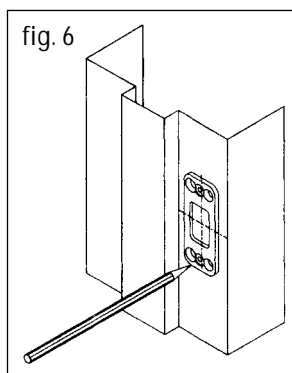
Remember Baldwin

With the completion of your project, remember that Baldwin quality hardware and giftware products are available for all your decorating and remodeling needs. Matching knob and leversets for interior doors, beautiful bath accessories, and a complete selection of cabinet and door enhancing hardware are all available from your Baldwin retailer.

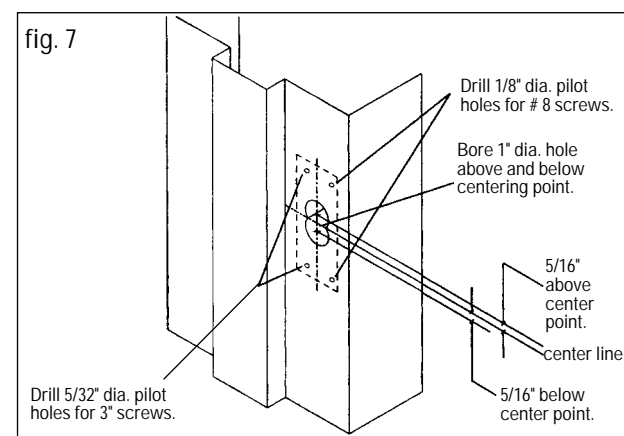
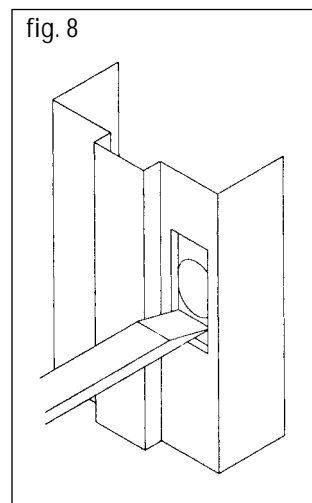


Strike Installation (continued)

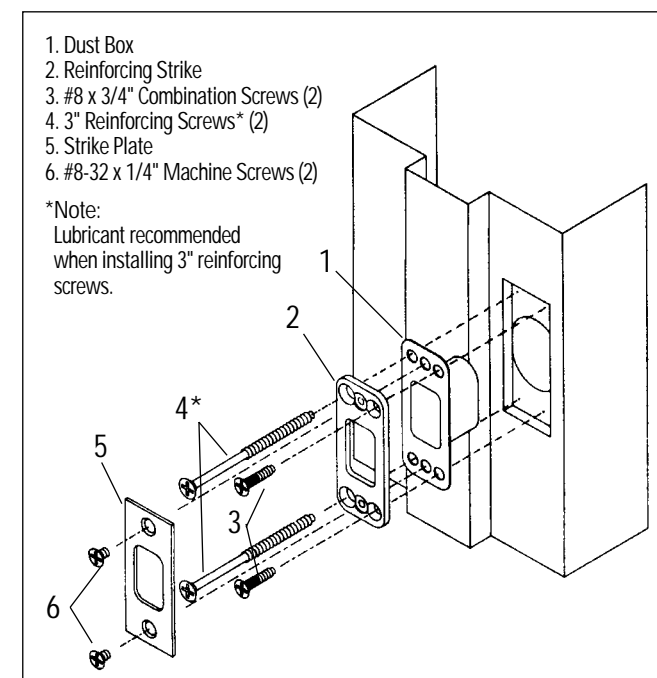
- 10 Using reinforcing strike as a template, mark locations for reinforcing screws. (fig 6) Drill two 5/32" dia. pilot holes for the 3" long screws and two 1/8" dia. pilot holes for the #8 x 3/4" screws. Mark drill points 5/16" above and below center line. Bore two 1" dia. holes 1-1/4" deep at these points. Chisel out holes for dust box. (fig. 7)



- 11 Mortise 7/32" deep or until the strike box, reinforcing strike and strike plate fits inside mortise and flush with the door frame. (fig. 8)



- 12 Install strike as illustrated.



BALDWIN®

Patio Deadbolt Installation Instructions

